



PIAGGIO®

SPARE PARTS CATALOGUE



Fly 150 4T E3 2008 - 2011 (APAC)

Chassis prefix: LBMM57100, LBMM57200

Engine prefix: M571M

Index

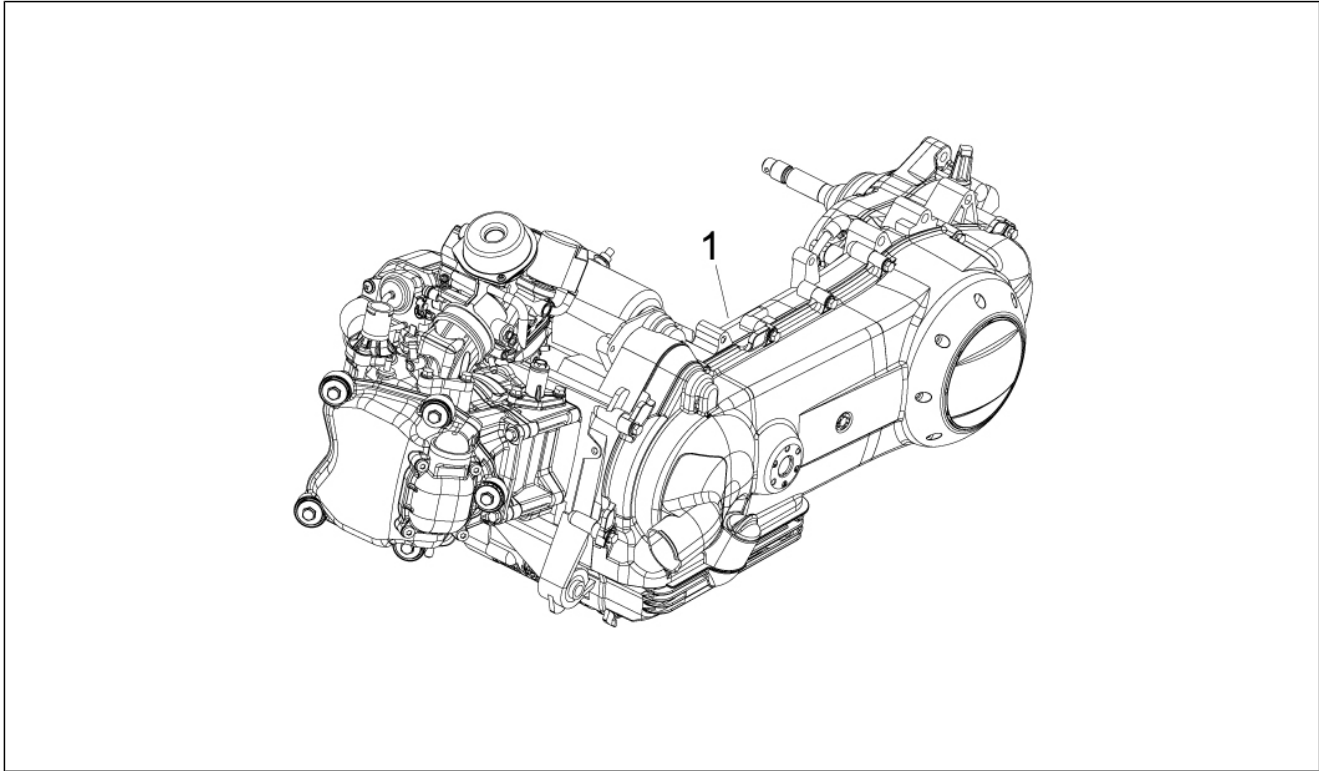
| | |
|--|----|
| Finished products..... | 4 |
| Alphanumeric index..... | 5 |
| Engine..... | 9 |
| Table 01.02 - Engine, assembly..... | 9 |
| Table 01.05 - Crankcase..... | 10 |
| Table 01.06 - Crankshaft..... | 12 |
| Table 01.07 - Cylinder-piston-wrist pin unit..... | 13 |
| Table 01.10 - Head unit - Valve..... | 14 |
| Table 01.11 - Rocking levers support unit..... | 15 |
| Table 01.12 - Cylinder head cover..... | 16 |
| Table 01.13 - Driving pulley..... | 17 |
| Table 01.14 - Driven pulley..... | 18 |
| Table 01.15 - Crankcase cover - Crankcase cooling..... | 19 |
| Table 01.18 - Oil pump..... | 20 |
| Table 01.20 - Stater - Electric starter..... | 22 |
| Table 01.21 - Flywheel magneto..... | 23 |
| Table 01.23 - Flywheel magneto cover - Oil filter..... | 24 |
| Table 01.25 - Reduction unit..... | 25 |
| Table 01.35 - Rear brake - Brake jaw..... | 26 |
| Table 01.39 - Carburettor, assembly - Union pipe..... | 27 |
| Table 01.40 - Carburetor's components..... | 28 |
| Table 01.42 - Silencer..... | 29 |
| Table 01.45 - Air filter..... | 30 |
| Table 01.46 - Secondary air box..... | 31 |
| Frame - Plastic parts - Coachwork..... | 32 |
| Table 02.01 - Frame/bodywork..... | 32 |
| Table 02.25 - Stand/s..... | 33 |
| Table 02.26 - Front shield..... | 34 |
| Table 02.30 - Front glove-box - Knee-guard panel..... | 35 |
| Table 02.31 - Central cover - Footrests..... | 36 |
| Table 02.32 - Side cover - Spoiler..... | 37 |
| Table 02.33 - Wheel huosing - Mudguard..... | 39 |
| Table 02.34 - Helmet huosing - Undersaddle..... | 40 |
| Table 02.37 - Rear cover - Splash guard..... | 41 |
| Table 02.38 - Plates - Emblems..... | 42 |
| Table 02.39 - Saddle/seats..... | 43 |
| Table 02.45 - Driving mirror/s..... | 44 |
| Table 02.46 - Locks..... | 45 |
| Table 02.47 - Fuel tank..... | 46 |
| Handlebars/Steering..... | 47 |
| Table 03.01 - Handlebars coverages..... | 47 |
| Table 03.02 - Meter combination - Cruscotto..... | 48 |
| Table 03.06 - Handlebars - Master cil..... | 49 |

| | |
|--|----|
| Suspensions - Wheels..... | 50 |
| Table 04.01 - Swinging arm..... | 50 |
| Table 04.02 - Fork/steering tube - Steering bearing unit..... | 51 |
| Table 04.10 - Rear suspension - Shock absorber/s..... | 52 |
| Table 04.11 - Front wheel..... | 53 |
| Table 04.12 - Rear wheel..... | 54 |
| Braking system - Transmissions..... | 55 |
| Table 05.01 - Brakes pipes - Calipers..... | 55 |
| Table 05.03 - Transmissions..... | 56 |
| Electrical system..... | 57 |
| Table 06.01 - Selectors - Switches - Buttons..... | 57 |
| Table 06.03 - Front headlamps - Turn signal lamps..... | 58 |
| Table 06.04 - Rear headlamps - Turn signal lamps..... | 59 |
| Table 06.05 - Remote control switches - Battery - Horn..... | 60 |
| Table 06.06 - Voltage Regulators - Electronic Control Units (ecu) - H.T. Coil..... | 61 |
| Table 06.08 - Main cable harness..... | 62 |

Finished products

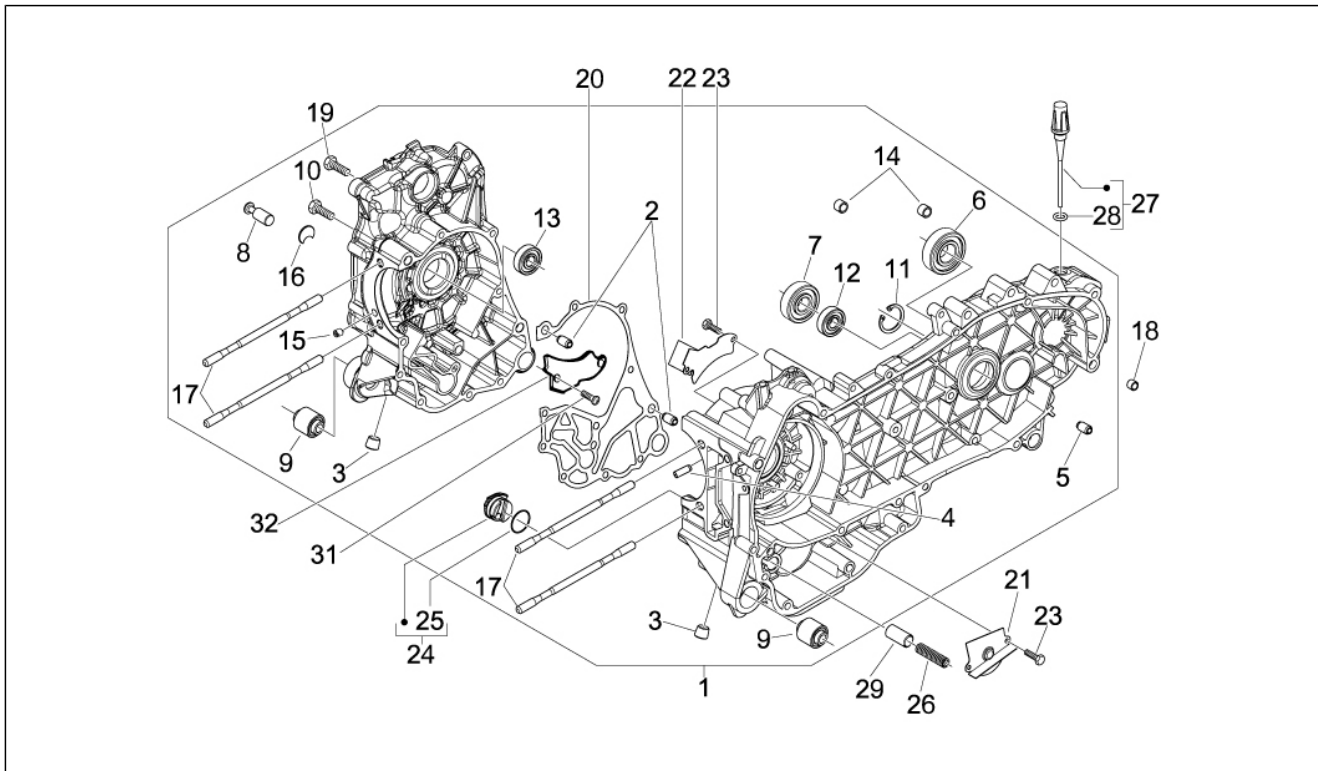
| Code | Validity |
|------------|--------------------------------------|
| ESE487CCN4 | Colour: Optic White[724] |
| ESE490CCN4 | Colour: Shiny Black[94] |
| ESE4DECCN4 | Colour: Midnight Blue[222/A] |
| ESE4F2CCN4 | Colour: Excalibur Grey[738/A] |

| | |
|--------------------|------------------|
| Group | Engine |
| Code | 01.02 |
| Description | Engine, assembly |
| Service | 1 |



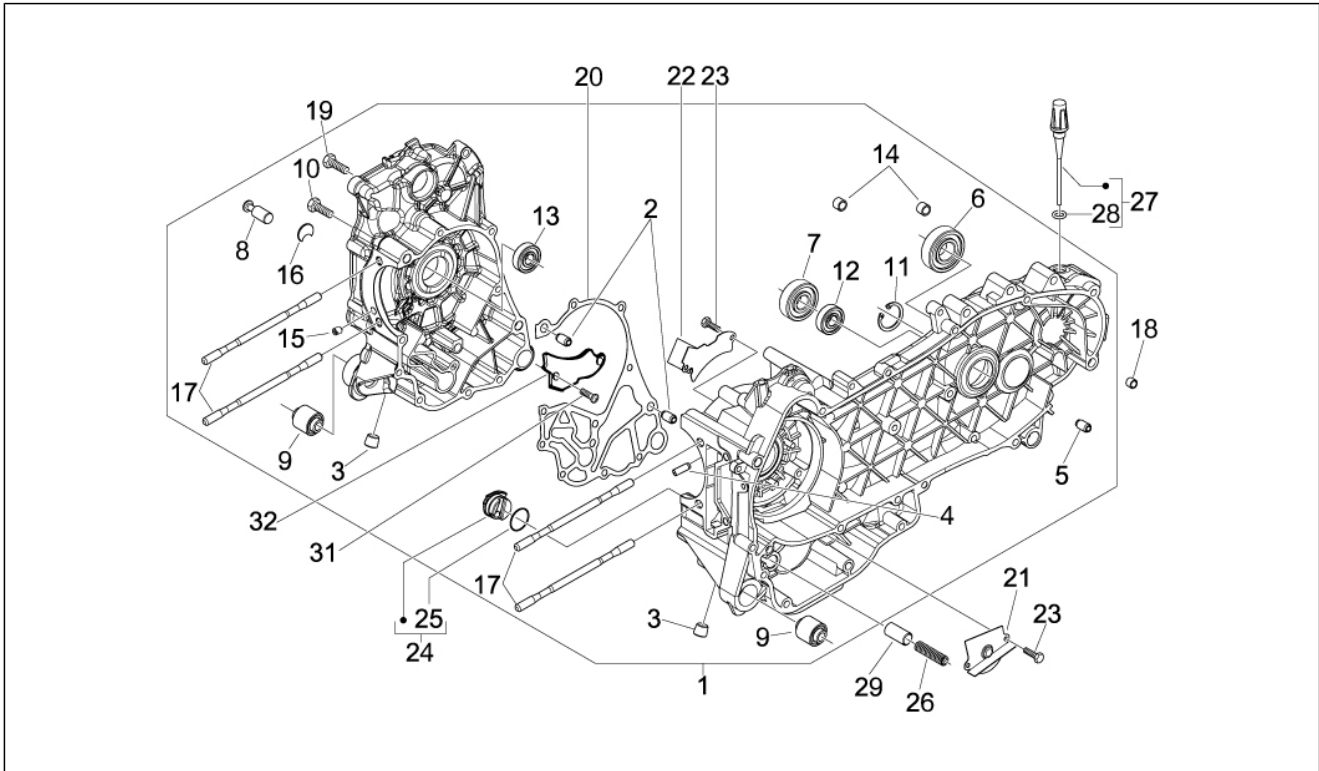
| Pos. | Code | Description | Qty | Variants |
|------|------|---|-----|----------|
| 1 | | *** (D) ENG.151 4T/2V E3 "FLY" OEM (PP) | 1 | |

| | |
|--------------------|-----------|
| Group | Engine |
| Code | 01.05 |
| Description | Crankcase |
| Service | 1 |



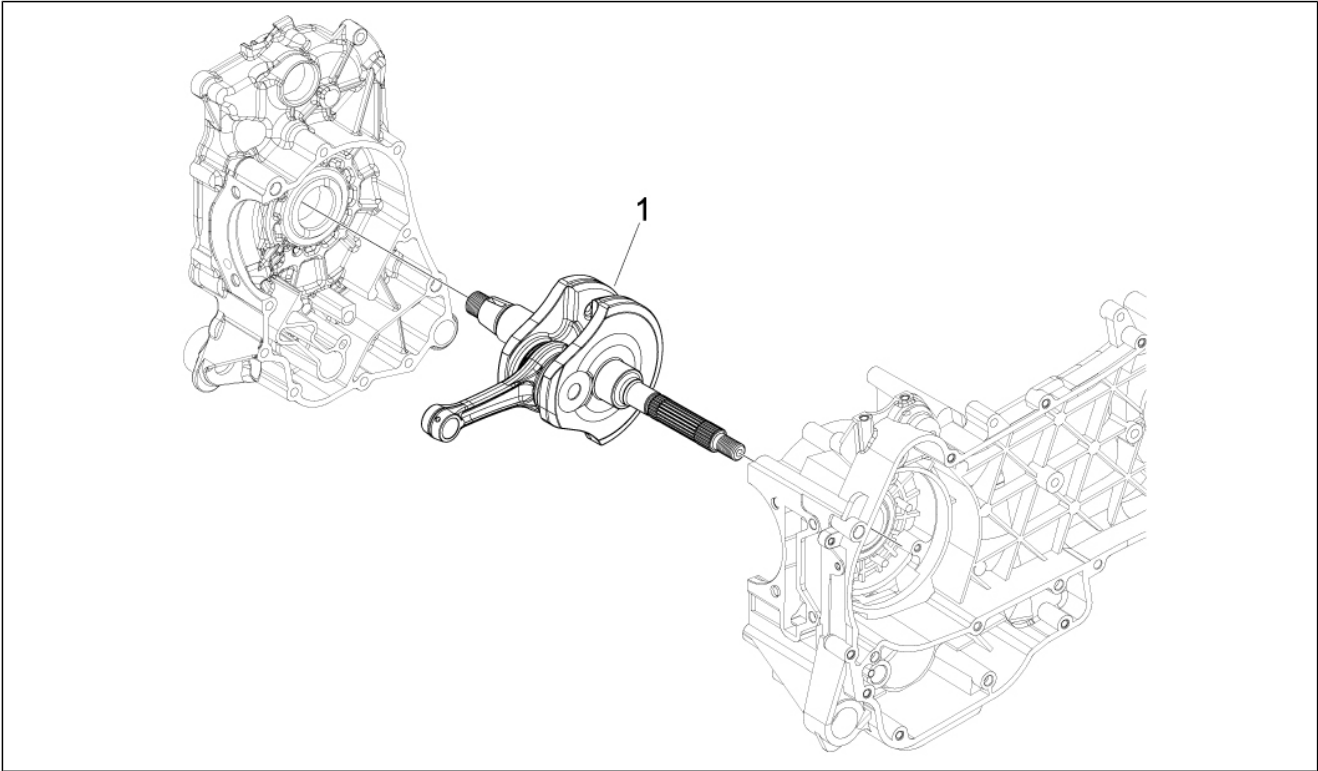
| Pos. | Code | Description | Qty | Variants |
|------|------|-----------------------------|-----|----------|
| 1 | | Crankcase assembly Cat.2 | 1 | |
| 1 | | Crankcase assembly Cat.1 | 1 | |
| 2 | | Pin 6,5x9,5x15 | 2 | |
| 3 | | Plug M12x1,5 | 2 | |
| 4 | | Nozzle | 1 | |
| 5 | | Bush Ø8xØ12x8 | 1 | |
| 6 | | Radial bearing 20x47x14 | 1 | |
| 7 | | Radial bearing 20x47x14 | 1 | |
| 8 | | Springs fixing pin | 1 | |
| 9 | | Silent-block | 2 | |
| 10 | | screw M6x60 | 11 | |
| 11 | | Circlip 25x26.9x1.2 | 1 | |
| 12 | | Gasket ring | 1 | |
| 13 | | Gasket ring | 1 | |
| 14 | | Locating dowel Ø11x10 | 2 | |
| 15 | | Nozzle D 1.1 | 1 | |
| 17 | | Stud bolt | 4 | |
| 18 | | Locating dowel Ø7,5x12 | 1 | |
| 19 | | screw M6x60 | 11 | |
| 20 | | Half crankcase gasket | 1 | |
| 21 | | Lower oil bulkhead | 1 | |
| 22 | | Upper oil bulkhead | 1 | |
| 23 | | Screw w/ flange M5x16 | 4 | |
| 24 | | Filter door insert | 1 | |
| 25 | | Gasket | 1 | |
| 26 | | Spring | 1 | |
| 27 | | Complete oil level dipstick | 1 | |
| 28 | | Gasket ring 14,43x9,19x2,62 | 1 | |

| | |
|--------------------|-----------|
| Group | Engine |
| Code | 01.05 |
| Description | Crankcase |
| Service | 1 |



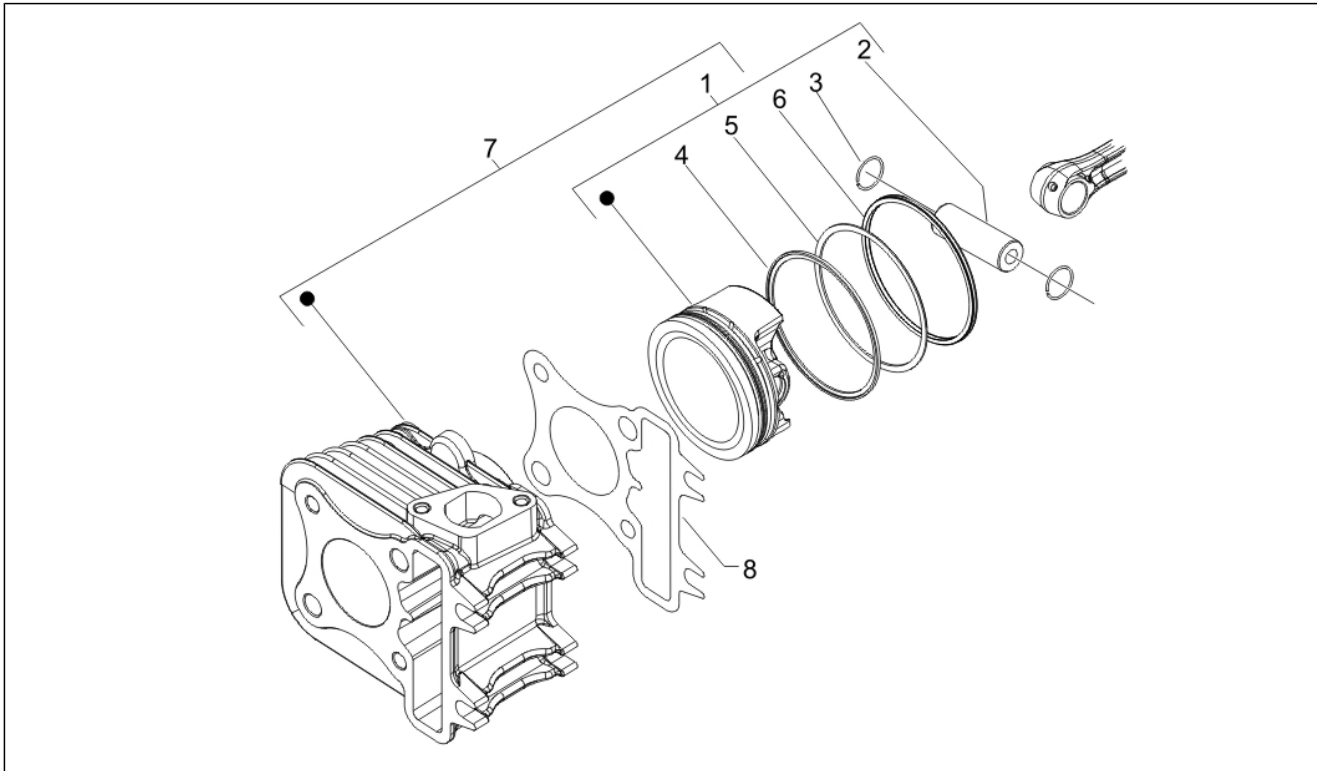
| Pos. | Code | Description | Qty | Variants |
|------|------|--------------------|-----|----------|
| 29 | | Oil pressure valve | 1 | |
| 31 | | Screw M5x10 | 1 | |
| 32 | | Plate | 1 | |

| | |
|--------------------|------------|
| Group | Engine |
| Code | 01.06 |
| Description | Crankshaft |
| Service | 1 |



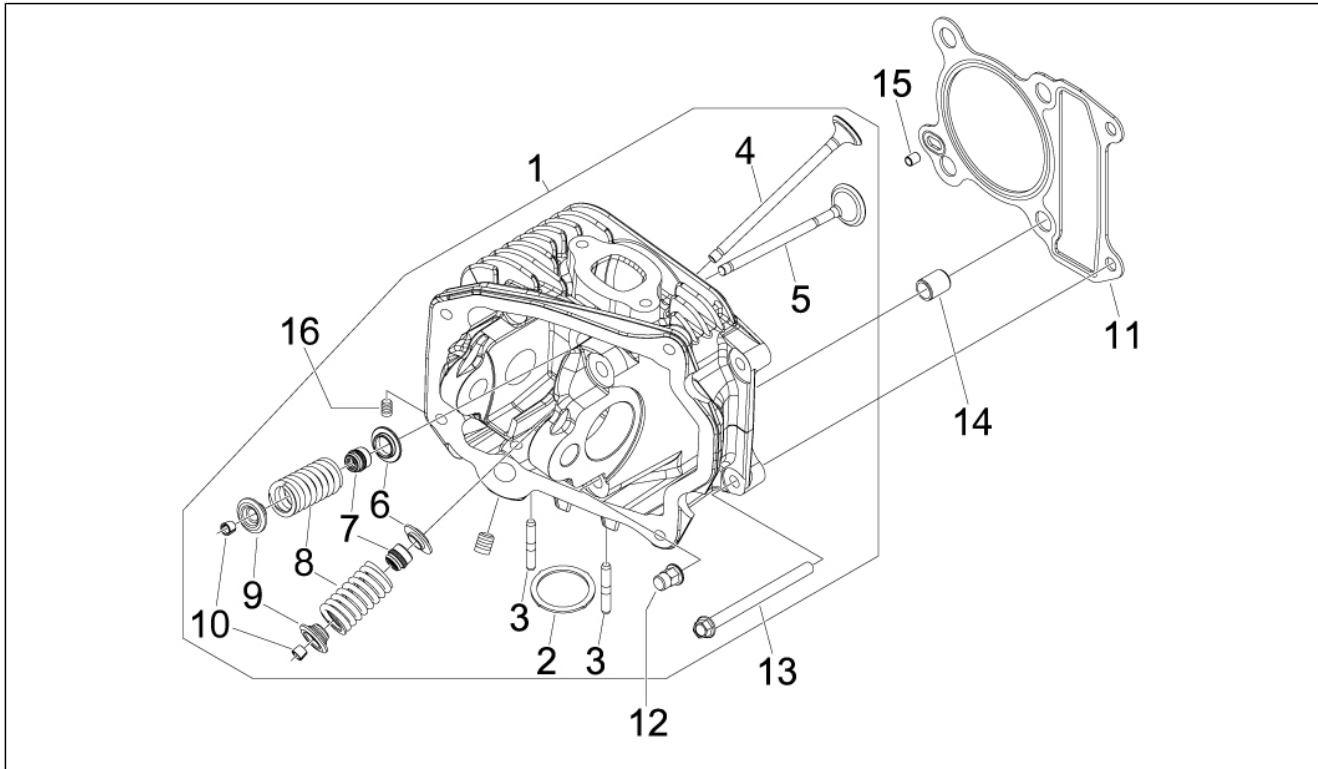
| Pos. | Code | Description | Qty | Variants |
|------|------|---------------------------|-----|----------|
| 1 | | Crankshaft assembly Cat.2 | 1 | |
| 1 | | Crankshaft assembly Cat.1 | 1 | |

| | |
|--------------------|--------------------------------|
| Group | Engine |
| Code | 01.07 |
| Description | Cylinder-piston-wrist pin unit |
| Service | 1 |



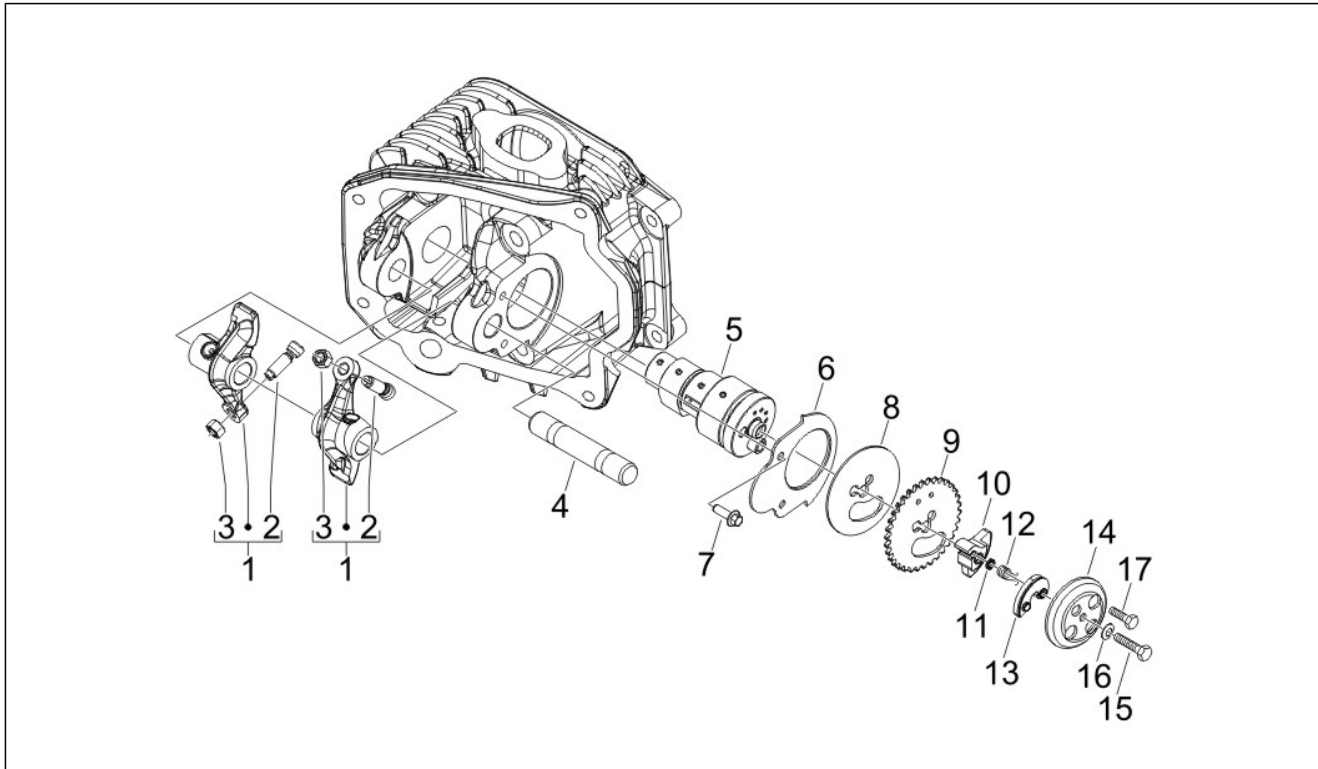
| Pos. | Code | Description | Qty | Variants |
|------|------|---------------------------------|-----|----------|
| 1 | | Piston + piston pin Cat.4 | 1 | |
| 1 | | Piston + piston pin Cat.1 | 1 | |
| 1 | | Piston + piston pin Cat.2 | 1 | |
| 1 | | Piston + piston pin Cat.3 | 1 | |
| 2 | | Piston pin | 1 | |
| 3 | | Snap ring | 2 | |
| 4 | | Compression ring Ø62,6x1 | 1 | |
| 5 | | Oil scraper ring Ø62,6x1 | 1 | |
| 6 | | Oil scraper ring Ø62,6x2,5 | 1 | |
| 7 | | Cylinder-piston-wrist pin assy. | 1 | |
| 8 | | Cylinder base gasket 0,4 mm | 1 | |
| 8 | | Cylinder base gasket 0,6 mm | 1 | |
| 8 | | Cylinder base gasket 0,6 mm | 1 | |
| 8 | | Cylinder base gasket 0,8 mm | 1 | |
| 8 | | Cylinder base gasket 0,4 mm | 1 | |

| | |
|--------------------|-------------------|
| Group | Engine |
| Code | 01.10 |
| Description | Head unit - Valve |
| Service | 1 |



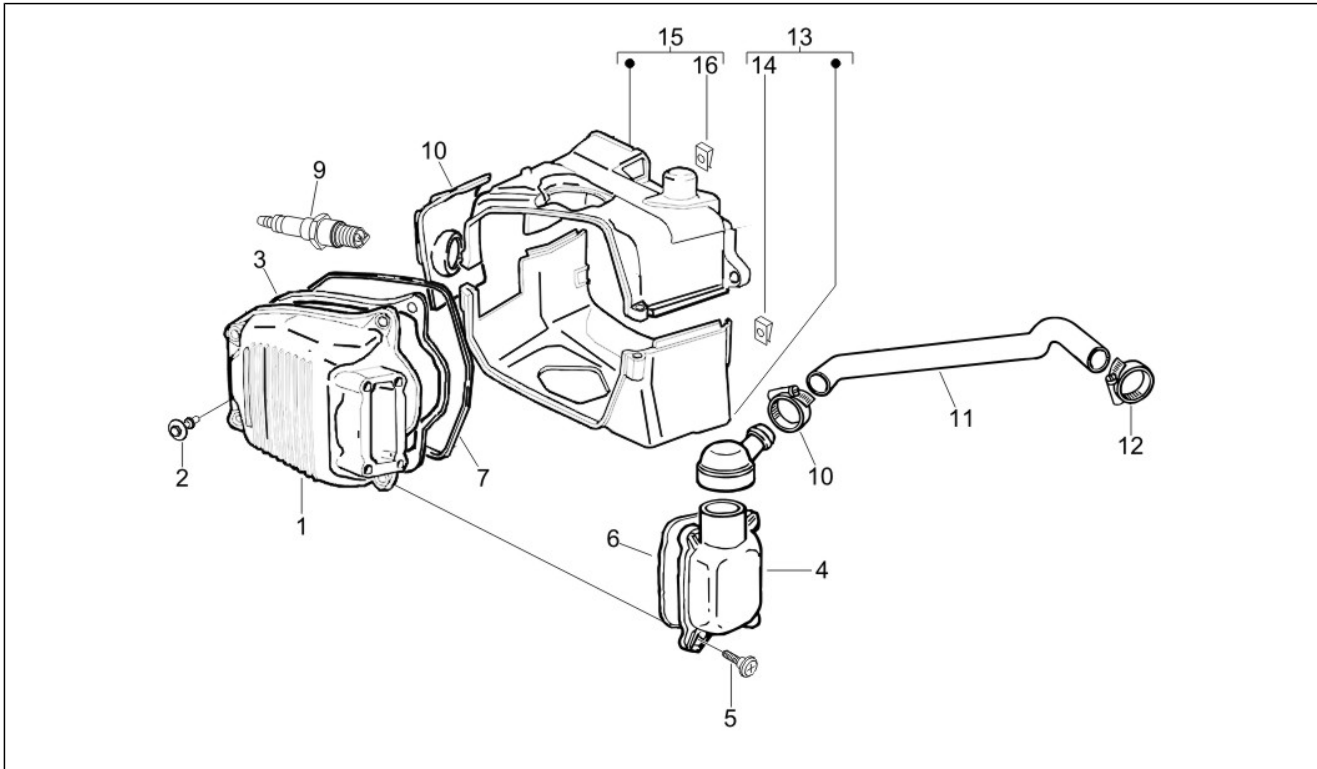
| Pos. | Code | Description | Qty | Variants |
|------|------|-------------------------|-----|----------|
| 1 | | Cylinder head assembly | 1 | |
| 2 | | Big end-silencer gasket | 1 | |
| 3 | | Stud bolt M6 | 2 | |
| 3 | | Stud bolt M7 | 2 | |
| 4 | | Exhaust valve | 1 | |
| 4 | | Exhaust valve | 1 | |
| 5 | | Intake valve | 1 | |
| 5 | | Intake valve | 1 | |
| 6 | | Lower cap | 2 | |
| 7 | | Valve gasket ring | 2 | |
| 8 | | Valve spring | 2 | |
| 8 | | Valve spring | 2 | |
| 9 | | Upper cap | 2 | |
| 9 | | Upper cap | 2 | |
| 10 | | Valve half-cone | 4 | |
| 11 | | Cylinder head gasket | 1 | |
| 12 | | Nut M8x1,25 | 4 | |
| 13 | | Screw w/ flange | 2 | |
| 14 | | Locating dowel Ø7,5x12 | 2 | |
| 15 | | Locating dowel | 2 | |
| 16 | | Plug M6x10 | 1 | |

| | |
|--------------------|-----------------------------|
| Group | Engine |
| Code | 01.11 |
| Description | Rocking levers support unit |
| Service | 1 |



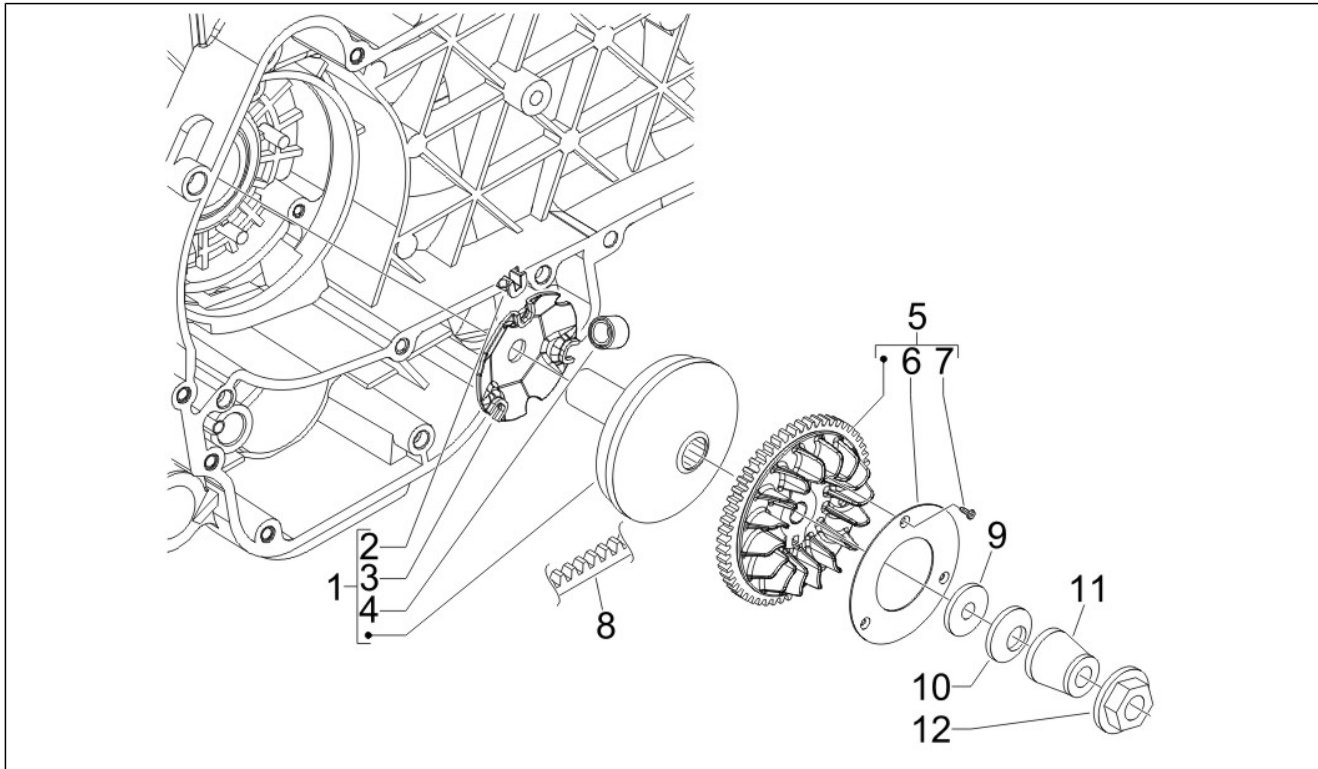
| Pos. | Code | Description | Qty | Variants |
|------|------|-----------------------------|-----|----------|
| 1 | | Rocker arm assy. | 2 | |
| 2 | | Adjuster screw | 1 | |
| 3 | | Nut | 1 | |
| 4 | | Rocker arms axis | 1 | |
| 5 | | Camshaft | 1 | |
| 6 | | Camshaft plate | 1 | |
| 7 | | Screw w/ flange | 2 | |
| 8 | | Timing system gear | 1 | |
| 8 | | Washer | 1 | |
| 9 | | Timing system gear | 1 | |
| 10 | | Decompressor counterweight | 1 | |
| 11 | | Gasket | 1 | |
| 12 | | Spring | 1 | |
| 13 | | Decompression counterweight | 1 | |
| 14 | | Decompression bell | 1 | |
| 15 | | screw M6x35 | 1 | |
| 16 | | Washer | 1 | |
| 17 | | Hex socket screw M5x30 | 1 | |

| | |
|--------------------|---------------------|
| Group | Engine |
| Code | 01.12 |
| Description | Cylinder head cover |
| Service | 1 |



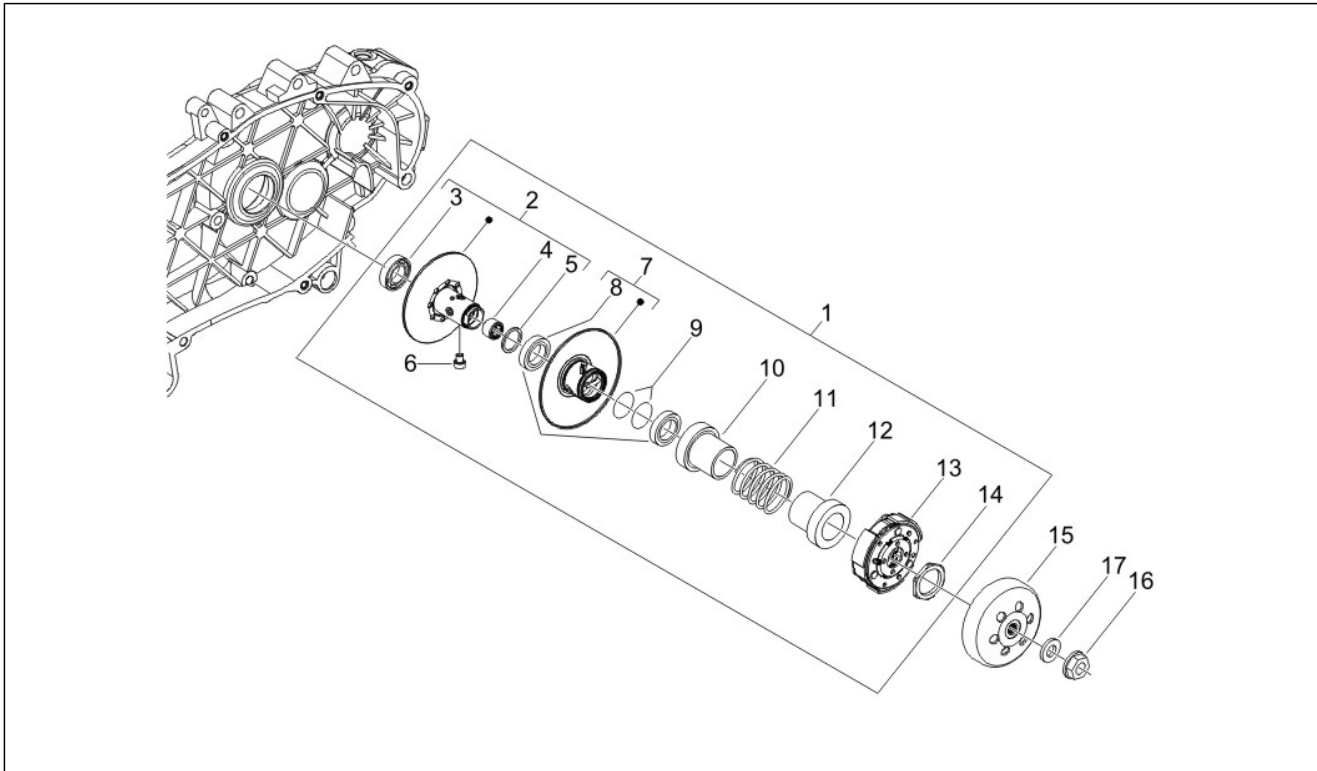
| Pos. | Code | Description | Qty | Variants |
|------|------|-----------------------------|-----|----------|
| 1 | | Head cover | 1 | |
| 2 | | Screw w/ flange M6x20 | 4 | |
| 3 | | Packing | 1 | |
| 4 | | Oil bleed cover | 1 | |
| 5 | | screw | 4 | |
| 6 | | Gasket | 1 | |
| 7 | | Cylinder head gasket | 1 | |
| 8 | | Spark plug cover | 1 | |
| 9 | | Spark plug RG6YC (Champion) | 1 | |
| 9 | | Spark plug CR7EB (NGK) | 1 | |
| 10 | | Hose clamp | 1 | |
| 11 | | Oil breather pipe | 1 | |
| 12 | | Hose clamp | 1 | |
| 13 | | Exhaust side hood | 1 | |
| 14 | | Spring plate | 1 | |
| 15 | | Intake side hood | 1 | |
| 16 | | Spring plate | 1 | |

| | |
|--------------------|----------------|
| Group | Engine |
| Code | 01.13 |
| Description | Driving pulley |
| Service | 1 |



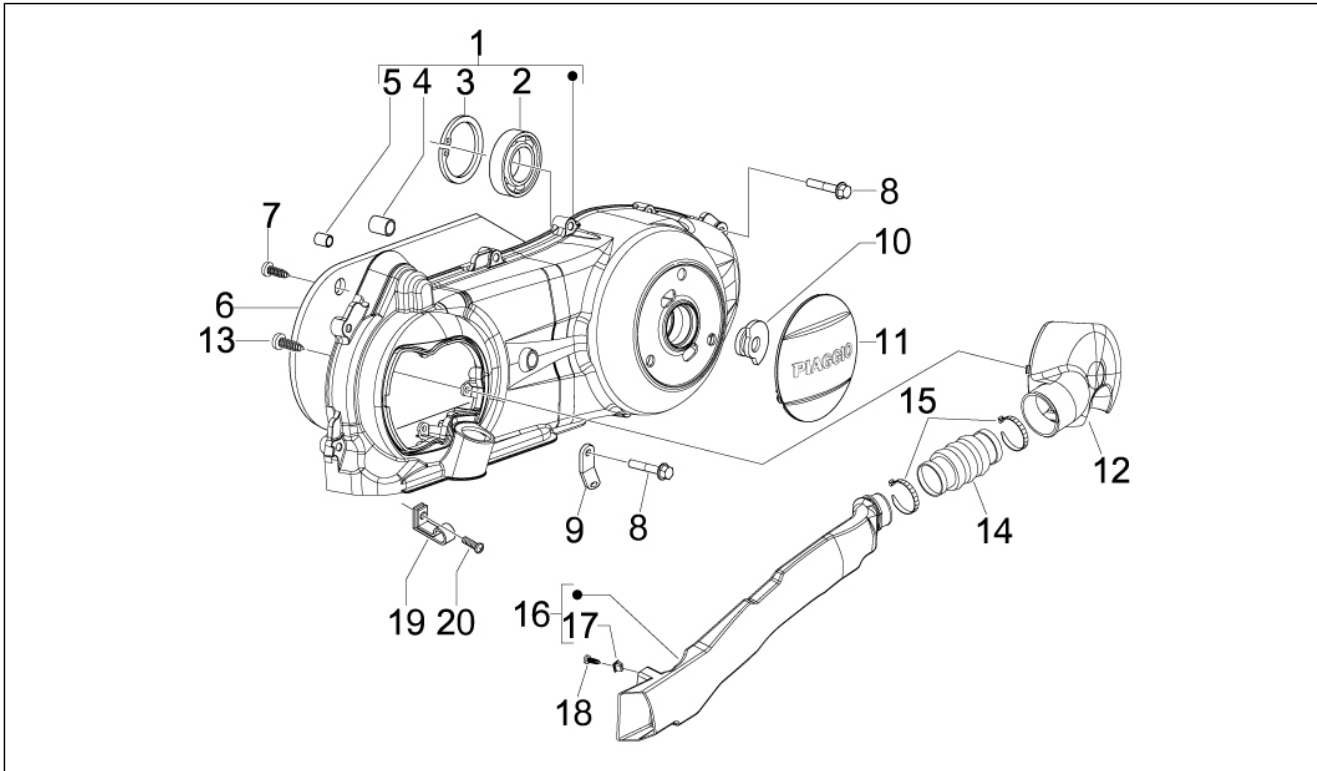
| Pos. | Code | Description | Qty | Variants |
|------|------|------------------------------------|-----|----------|
| 1 | | Complete roller housing | 1 | |
| 2 | | Sliding block | 3 | |
| 3 | | Roller contrast | 1 | |
| 4 | | Rollers kit | 1 | |
| 5 | | Complete fixed driving half-pulley | 1 | |
| 6 | | Plate | 1 | |
| 7 | | screw | 3 | |
| 8 | | (Gates) V-belt | 1 | |
| 8 | | (Mitsuboshi) V-belt | 1 | |
| 9 | | Plain washer | 1 | |
| 10 | | Plain washer 17x32x1 | 1 | |
| 11 | | Bush | 1 | |
| 12 | | Flanged nut M12 | 1 | |

| | |
|--------------------|---------------|
| Group | Engine |
| Code | 01.14 |
| Description | Driven pulley |
| Service | 1 |



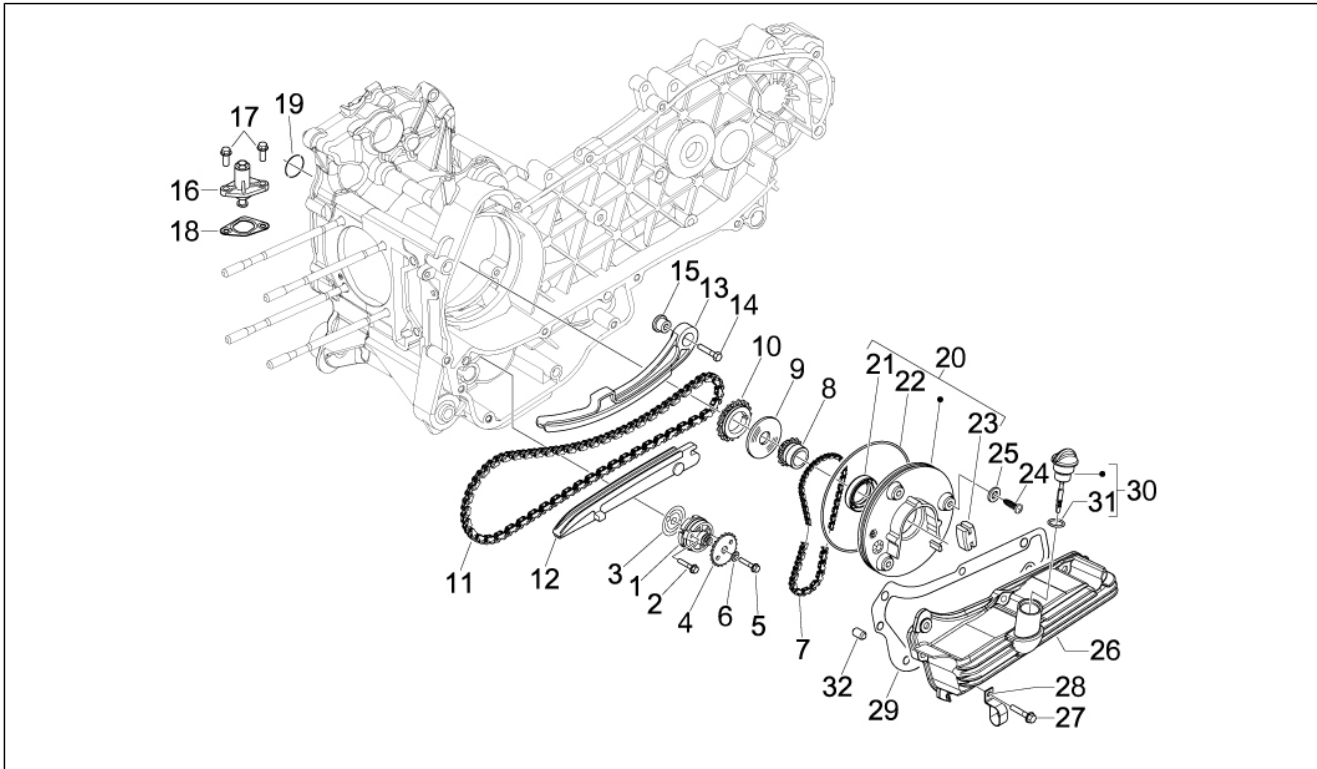
| Pos. | Code | Description | Qty | Variants |
|------|------|--------------------------------------|-----|----------|
| 1 | | Pulley | 1 | |
| 2 | | Fixed driven half pulley | 1 | |
| 3 | | Bearing 17x30x7 | 1 | |
| 4 | | Roller cage 20x29x18 | 1 | |
| 5 | | Snap ring | 1 | |
| 6 | | Guide pin L=12,5 | 4 | |
| 7 | | Adjustable pulley, half | 1 | |
| 8 | | Gasket ring | 2 | |
| 9 | | Gasket | 2 | |
| 10 | | Pulley side cap | 1 | |
| 11 | | Variator spring | 1 | |
| 12 | | Clutch side cap | 1 | |
| 13 | | Complete centrifugal clutch assembly | 1 | |
| 14 | | Ring nut | 1 | |
| 15 | | Clutch drum | 1 | |
| 16 | | Nut M12x1.25 | 1 | |
| 17 | | Flat washer 22x12,1x1 | 1 | |

| | |
|--------------------|-------------------------------------|
| Group | Engine |
| Code | 01.15 |
| Description | Crankcase cover - Crankcase cooling |
| Service | 1 |



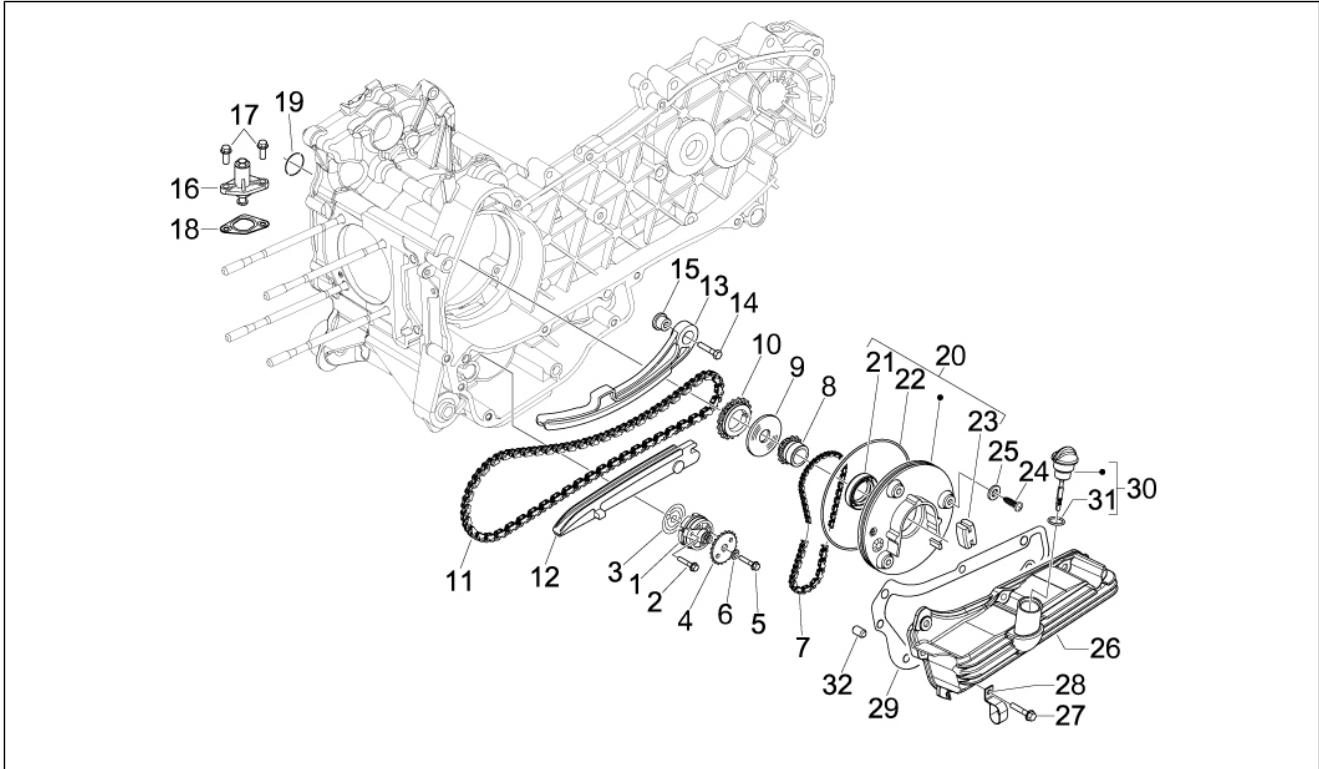
| Pos. | Code | Description | Qty | Variants |
|------|------|-------------------------|-----|----------|
| 1 | | Transmission cover cpl. | 1 | |
| 2 | | Bearing | 1 | |
| 3 | | Snap ring | 1 | |
| 4 | | Bush Ø8xØ12x8 | 1 | |
| 5 | | Pin 6,5x9,5x15 | 2 | |
| 6 | | Air deflector | 1 | |
| 7 | | Self-tapping screw | 4 | |
| 8 | | Screw w/ flange M6x30 | 9 | |
| 9 | | Hose clamp | 1 | |
| 10 | | Retainer buffer | 3 | |
| 11 | | Plug | 1 | |
| 12 | | Cover | 1 | |
| 13 | | TBCIC Screw | 3 | |
| 14 | | Bellows | 1 | |
| 15 | | Lock-strap L=180mm | 2 | |
| 16 | | pipe | 1 | |
| 17 | | Expansion plug | 1 | |
| 18 | | Self-tap screw | 1 | |
| 19 | | Hose clamp | 1 | |
| 20 | | Screw w/ flange M6x30 | 1 | |

| | |
|--------------------|----------|
| Group | Engine |
| Code | 01.18 |
| Description | Oil pump |
| Service | 1 |



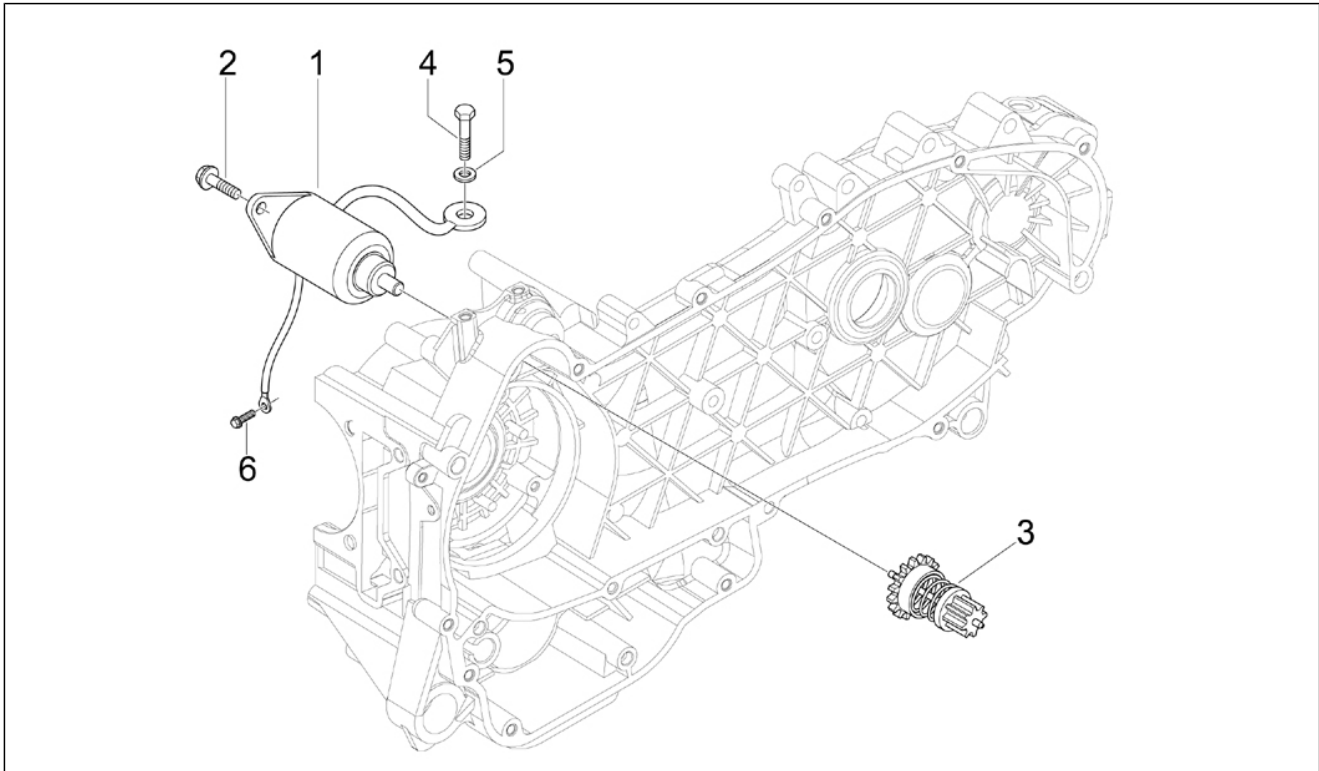
| Pos. | Code | Description | Qty | Variants |
|------|------|---------------------------------|-----|----------|
| 1 | | Oil pump assembly | 1 | |
| 2 | | Screw w/ flange M5x35 | 2 | |
| 3 | | Carter-oil pump gasket | 1 | |
| 4 | | Oil pump gear | 1 | |
| 5 | | Screw w/ flange M6x14 | 1 | |
| 6 | | Belleville spring Ø6,4xØ20x2 | 1 | |
| 7 | | Oil pump chain | 1 | |
| 8 | | Oil pump control pinion | 1 | |
| 9 | | Oil seal washer | 1 | |
| 10 | | Timing chain pinion | 1 | |
| 11 | | Camshaft chain | 1 | |
| 12 | | Chain tensioner sliding block | 1 | |
| 13 | | Chain tensioner rod | 1 | |
| 14 | | Screw w/ flange M6x25 | 1 | |
| 15 | | Chain tensioner rod spacer | 1 | |
| 16 | | Complete chain tensioner | 1 | |
| 17 | | Screw w/ flange M6x16 | 2 | |
| 18 | | Cylinder/chain tensioner gasket | 1 | |
| 19 | | O-Ring seal ring | 1 | |
| 20 | | Timing system cover | 1 | |
| 21 | | Gasket ring | 1 | |
| 22 | | Gasket ring | 1 | |
| 23 | | Oil pump chain drift | 1 | |
| 24 | | Self-tapping screw M5x12 | 3 | |
| 25 | | Plain washer | 3 | |
| 26 | | Motor oil cup | 1 | |
| 27 | | Screw w/ flange M6x30 | 7 | |
| 28 | | Retainer clamp | 1 | |

| | |
|--------------------|----------|
| Group | Engine |
| Code | 01.18 |
| Description | Oil pump |
| Service | 1 |



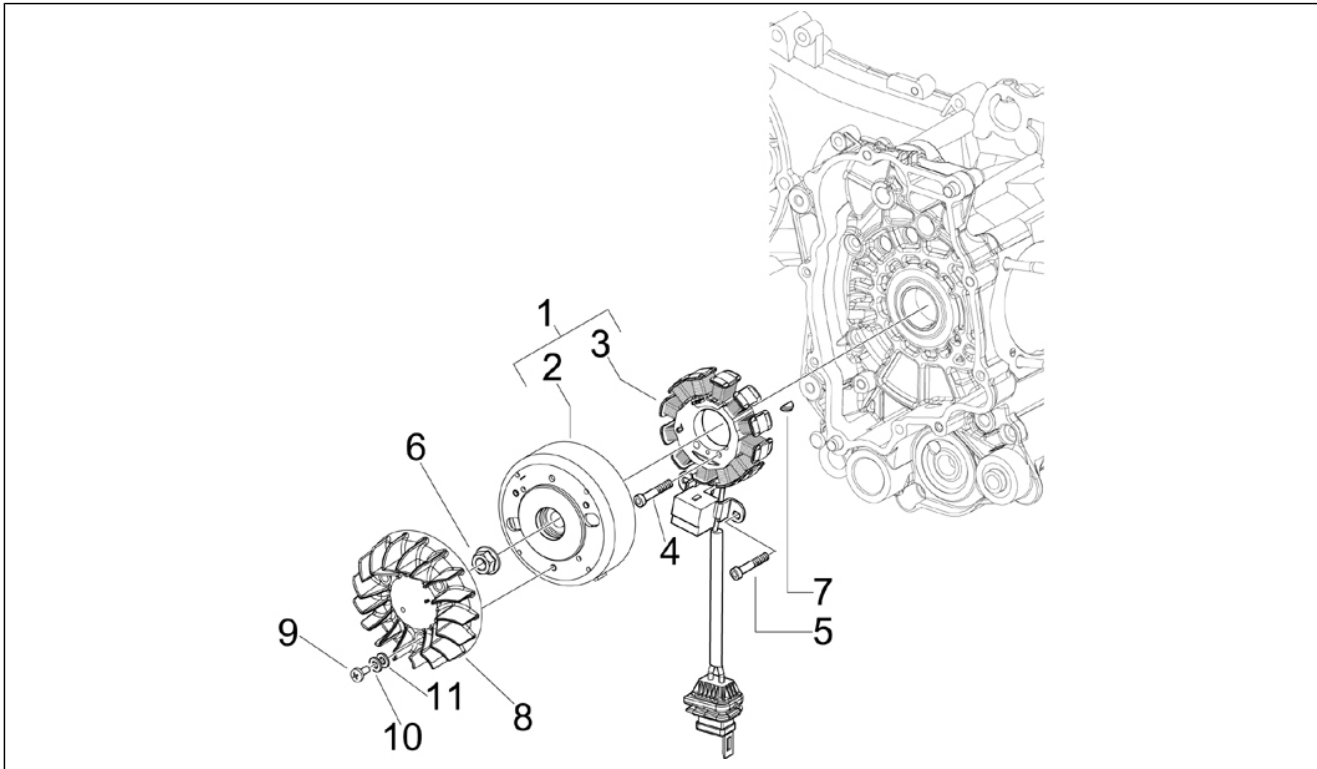
| Pos. | Code | Description | Qty | Variants |
|------|------|------------------------|-----|----------|
| 29 | | Sump gasket | 1 | |
| 30 | | Oil plug assembly | 1 | |
| 31 | | O-ring | 1 | |
| 32 | | Locating dowel Ø7,5x12 | 3 | |

| | |
|--------------------|---------------------------|
| Group | Engine |
| Code | 01.20 |
| Description | Stater - Electric starter |
| Service | 1 |



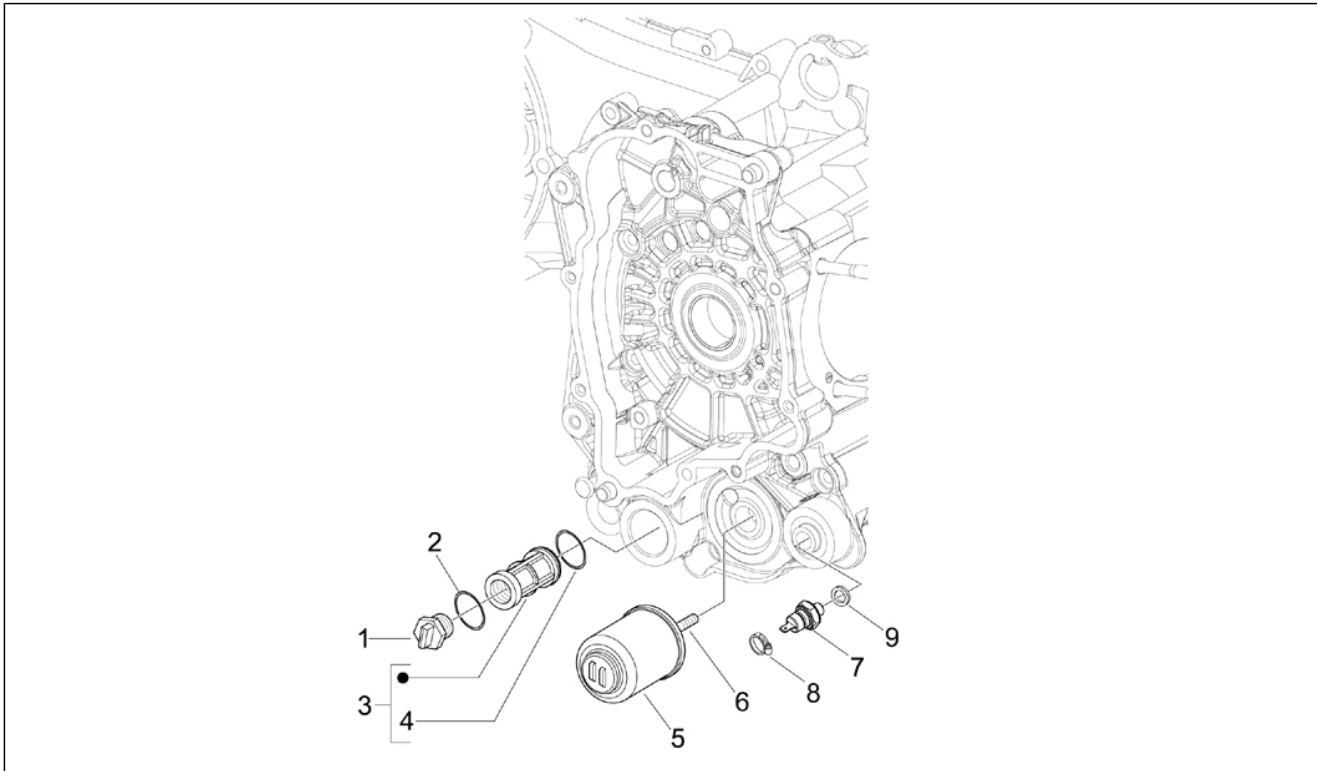
| Pos. | Code | Description | Qty | Variants |
|------|------|--------------------------|-----|----------|
| 1 | | Starter motor | 1 | |
| 2 | | Hex screw M6x20 | 2 | |
| 3 | | Starter motor gear | 1 | |
| 4 | | Screw w/ flange M6x10 | 1 | |
| 5 | | Spring washer 12x6,4x0,5 | 1 | |
| 6 | | Screw w/ flange M6x10 | 1 | |

| | |
|--------------------|------------------|
| Group | Engine |
| Code | 01.21 |
| Description | Flywheel magneto |
| Service | 1 |



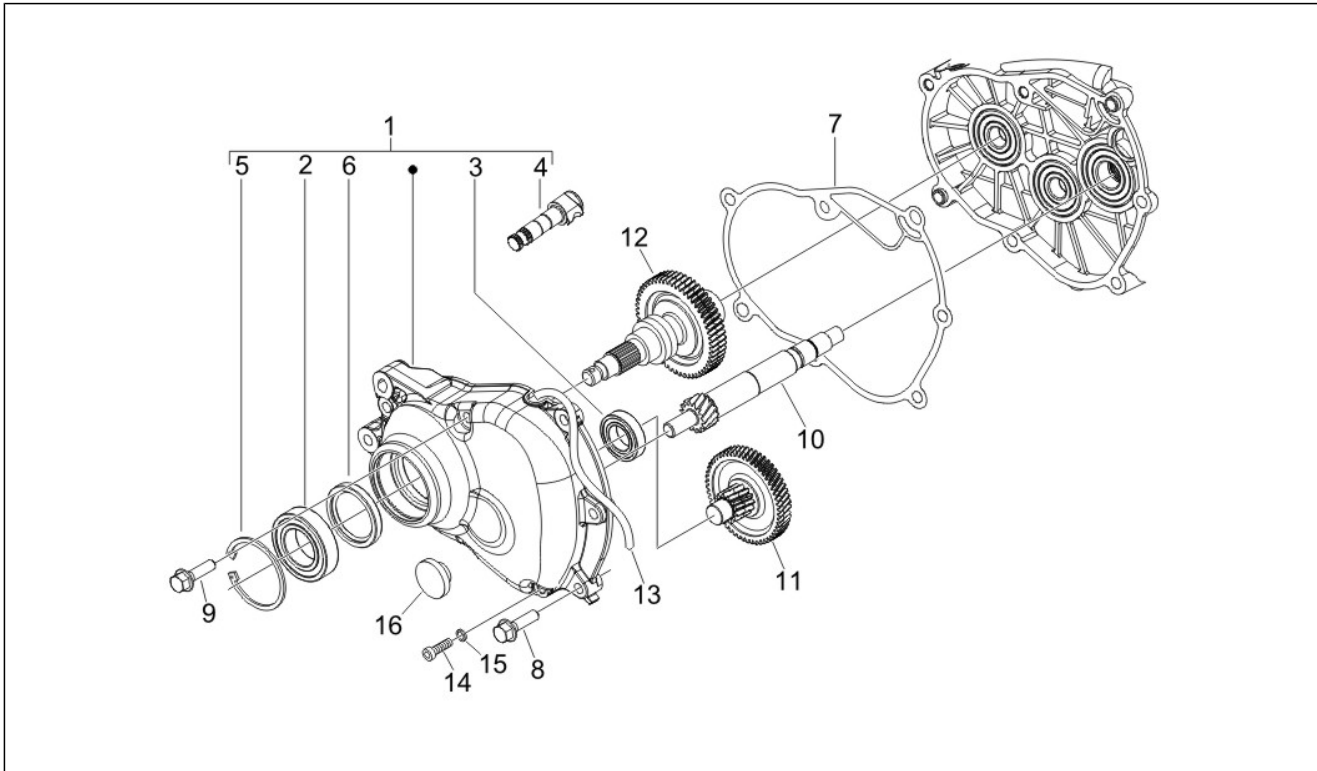
| Pos. | Code | Description | Qty | Variants |
|------|------|---------------------------|-----|----------|
| 1 | | Complete magneto flywheel | 1 | |
| 2 | | (Mitsuba) complete rotor | 1 | |
| 2 | | Complete rotor (Kokusan) | 1 | |
| 3 | | Complete stator (Kokusan) | 1 | |
| 4 | | Screw M5x22 | 2 | |
| 5 | | Screw M5x10 | 2 | |
| 6 | | Flanged nut M12 | 1 | |
| 7 | | Transmission key | 1 | |
| 8 | | Fan | 1 | |
| 9 | | screw M5x16 | 3 | |
| 10 | | Washer Ø5,3xØ10x0,5 | 3 | |
| 11 | | Flat washer 5,3x14x1 | 3 | |

| | |
|--------------------|-------------------------------------|
| Group | Engine |
| Code | 01.23 |
| Description | Flywheel magneto cover - Oil filter |
| Service | 1 |



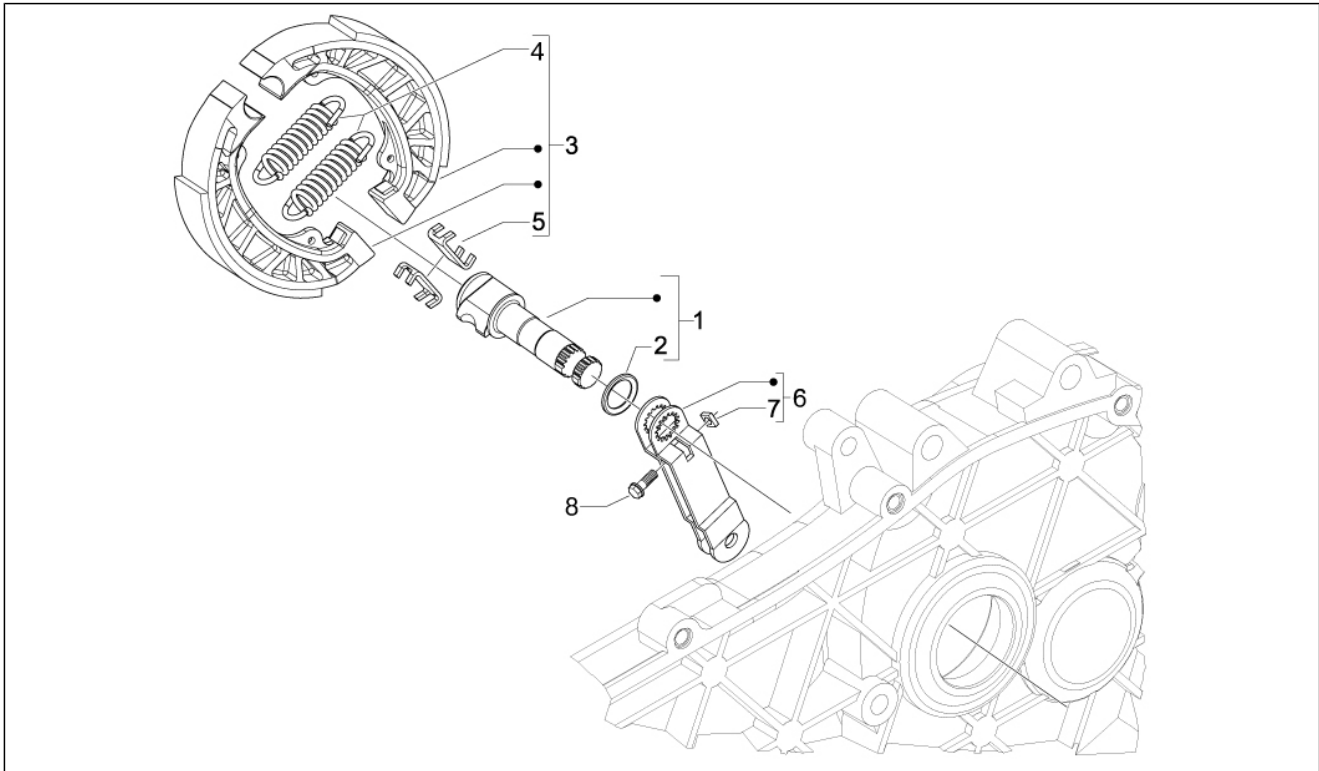
| Pos. | Code | Description | Qty | Variants |
|------|------|---------------------|-----|----------|
| 1 | | Oil filter plug | 1 | |
| 1 | | Oil filter plug | 1 | |
| 2 | | O-ring 31,47x1,78 | 1 | |
| 3 | | Intake oil filter | 1 | |
| 4 | | O-ring 20,35x1,78 | 1 | |
| 5 | | Oil filter | 1 | |
| 6 | | Special screw | 1 | |
| 7 | | Oil pressure sensor | 1 | |
| 8 | | Hose clamp | 1 | |
| 9 | | Washer 10.5X16X2.5 | 1 | |

| | |
|--------------------|----------------|
| Group | Engine |
| Code | 01.25 |
| Description | Reduction unit |
| Service | 1 |



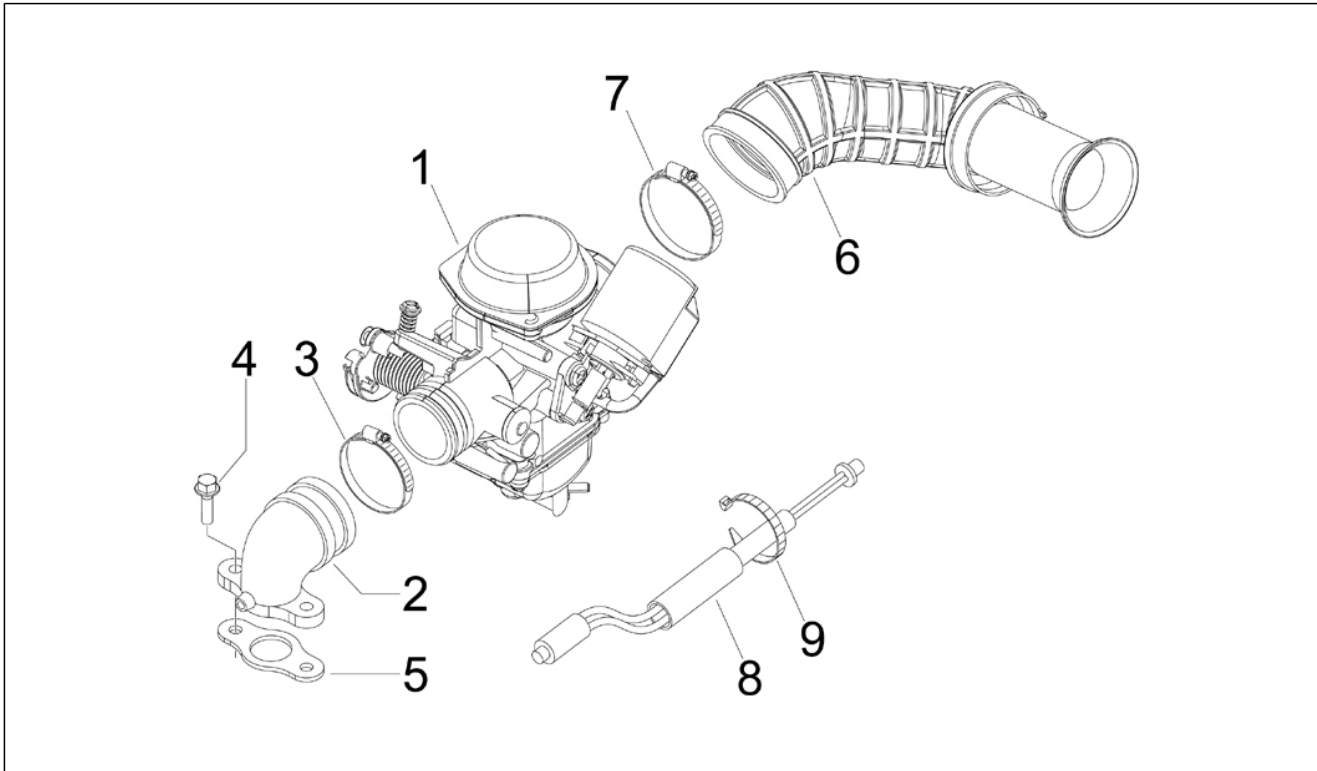
| Pos. | Code | Description | Qty | Variants |
|------|------|------------------------------|-----|----------|
| 1 | | Complete reducer cover | 1 | |
| 2 | | Radial bearing 25x52x15 | 1 | |
| 3 | | Radial ball bearing 15x42x13 | 1 | |
| 4 | | Shoe fulcrum pin | 1 | |
| 5 | | Snap ring | 1 | |
| 6 | | Gasket ring | 1 | |
| 6 | | Gasket ring | 1 | |
| 7 | | Reduction unit cover gasket | 1 | |
| 8 | | Screw w/ flange M8x45 | 6 | |
| 9 | | Screw w/ flange M8x40 | 1 | |
| 10 | | Driven pulley shaft | 1 | |
| 11 | | Transmission shaft | 1 | |
| 12 | | Wheel axle | 1 | |
| 13 | | Breather pipe | 1 | |
| 14 | | Hex socket screw M8x12 | 1 | |
| 15 | | Washer 8.2x12x1 | 1 | |
| 16 | | Cover | 1 | |

| | |
|--------------------|------------------------|
| Group | Engine |
| Code | 01.35 |
| Description | Rear brake - Brake jaw |
| Service | 1 |



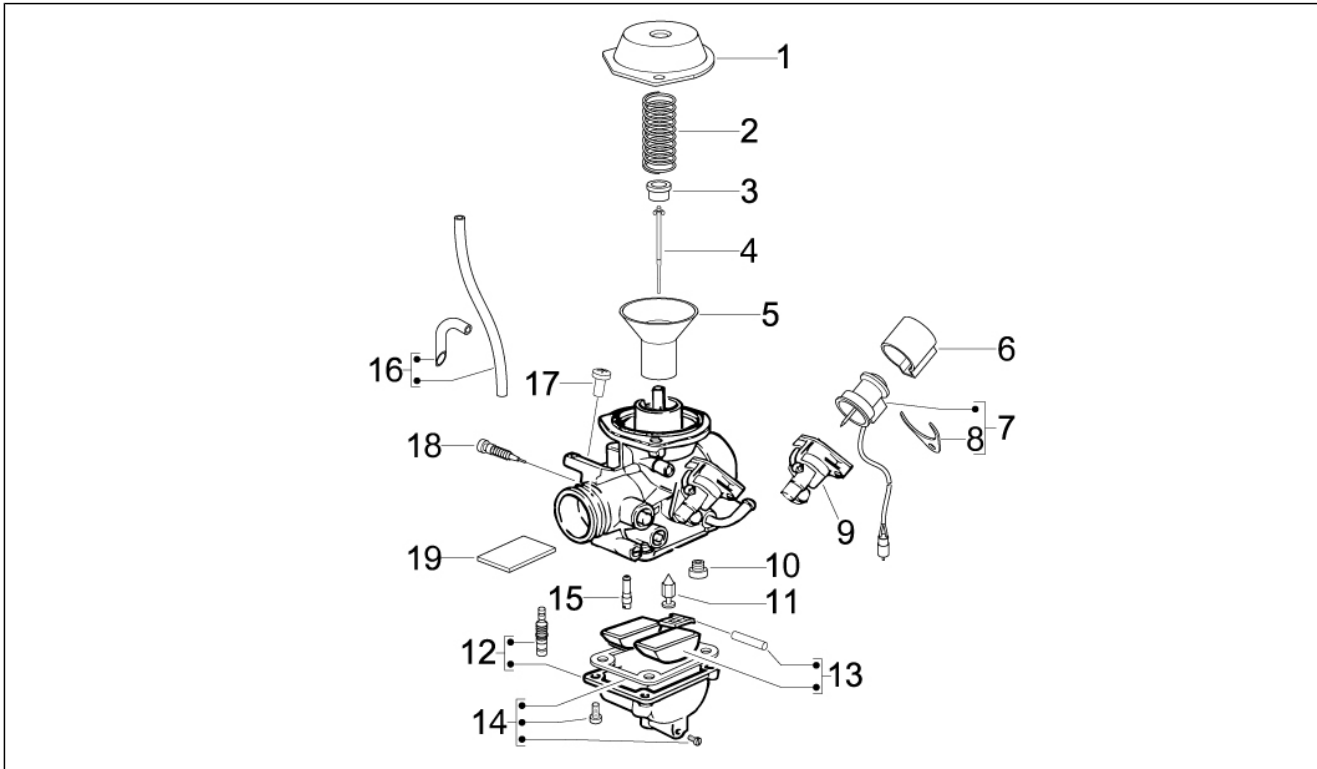
| Pos. | Code | Description | Qty | Variants |
|------|------|---------------------------|-----|----------|
| 1 | | Brake lever shaft | 1 | |
| 2 | | Gasket | 2 | |
| 3 | | Pair of brake shoes | 1 | |
| 4 | | Brake shoes return spring | 2 | |
| 4 | | Brake shoes return spring | 2 | |
| 5 | | Plate | 2 | |
| 6 | | Rear brake control lever | 1 | |
| 7 | | Square nut | 1 | |
| 8 | | screw M6x35 | 1 | |

| | |
|--------------------|------------------------------------|
| Group | Engine |
| Code | 01.39 |
| Description | Carburettor, assembly - Union pipe |
| Service | 1 |



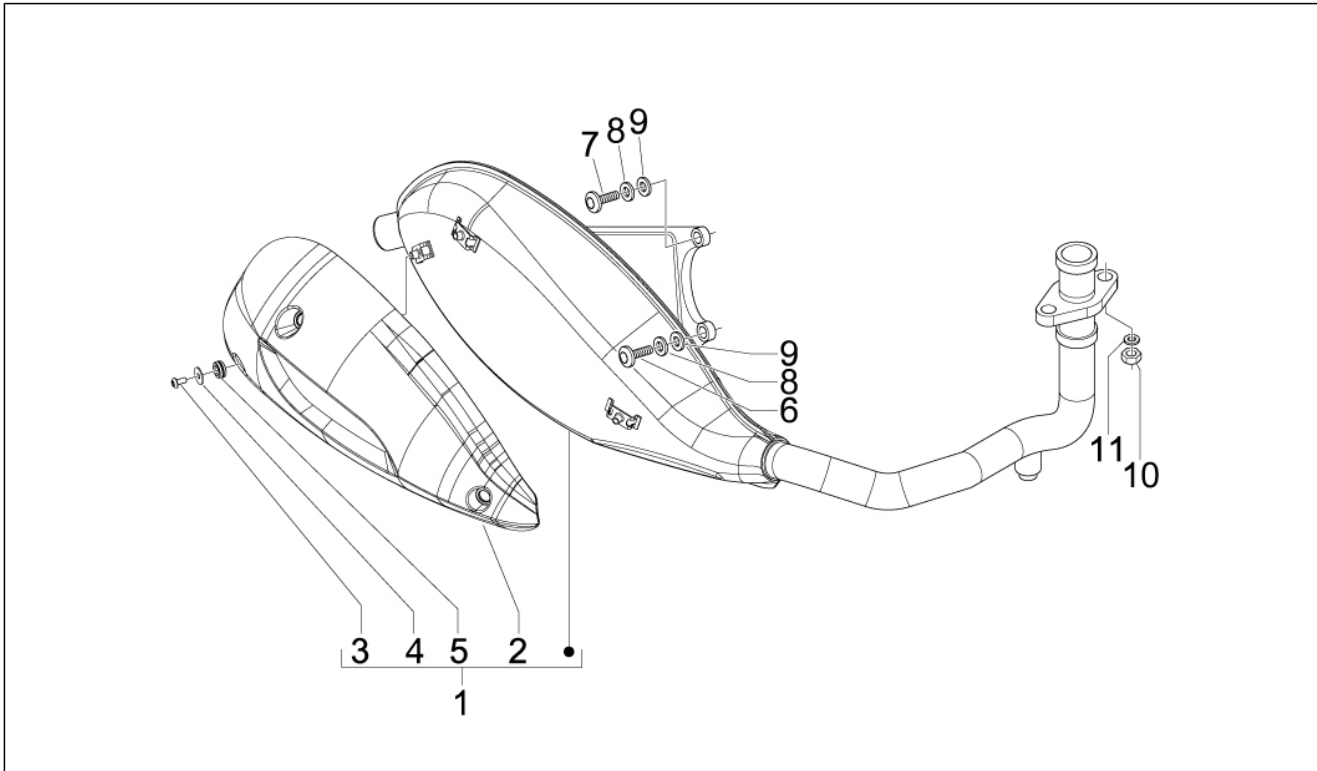
| Pos. | Code | Description | Qty | Variants |
|------|------|-------------------------------------|-----|----------|
| 1 | | Carburettor Keihin CVEK-2704A (P.P) | 1 | |
| 2 | | Induction joint with U.P. | 1 | |
| 3 | | Hose clamp | 1 | |
| 4 | | Hex screw M6x20 | 2 | |
| 5 | | Induction joint gasket | 1 | |
| 6 | | Filter box carburettor sleeve | 1 | |
| 7 | | Hose clamp | 1 | |
| 8 | | Resistor Module | 1 | |
| 9 | | Lock-strap L=180mm | 1 | |

| | |
|--------------------|-------------------------|
| Group | Engine |
| Code | 01.40 |
| Description | Carburetor's components |
| Service | 1 |



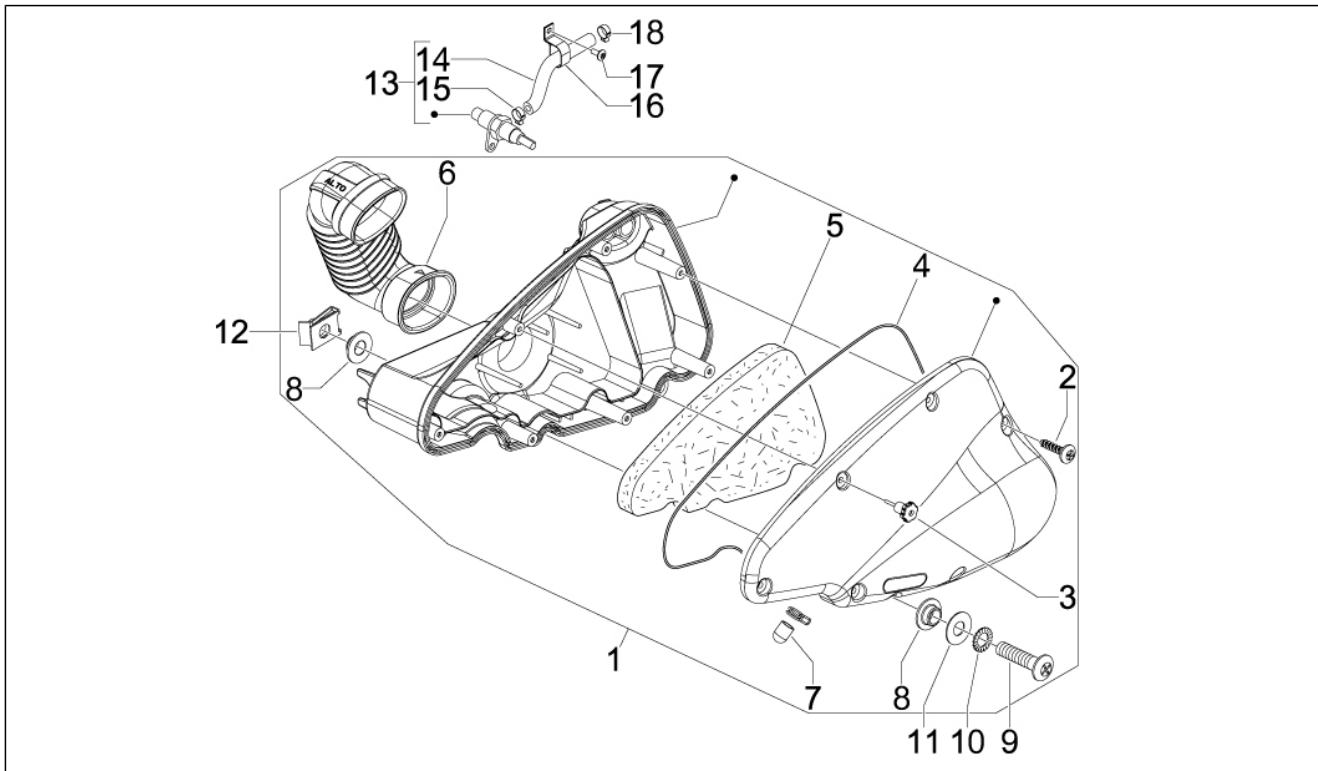
| Pos. | Code | Description | Qty | Variants |
|------|------|-----------------------------|-----|----------|
| 1 | | Gas valve cover | 1 | |
| 2 | | Gas valve spring | 1 | |
| 3 | | Tapered pin cap | 1 | |
| 4 | | Conical pin | 1 | |
| 5 | | Diaphragm | 1 | |
| 6 | | Cap | 1 | |
| 7 | | Automatic starter cpl. | 1 | |
| 8 | | Plate | 1 | |
| 9 | | Starter device | 1 | |
| 10 | | Main jet 80 | 1 | |
| 11 | | Petrol needle | 1 | |
| 12 | | Complete reservoir | 1 | |
| 13 | | Float kit | 1 | |
| 14 | | Float chamber kit | 1 | |
| 15 | | Idle jet 35 | 1 | |
| 16 | | Pipes kit | 1 | |
| 17 | | Adj.min.eng.speed air screw | 1 | |
| 18 | | Adj.min.eng.speed air screw | 1 | |
| 19 | | Pad | 1 | |

| | |
|--------------------|----------|
| Group | Engine |
| Code | 01.42 |
| Description | Silencer |
| Service | 1 |



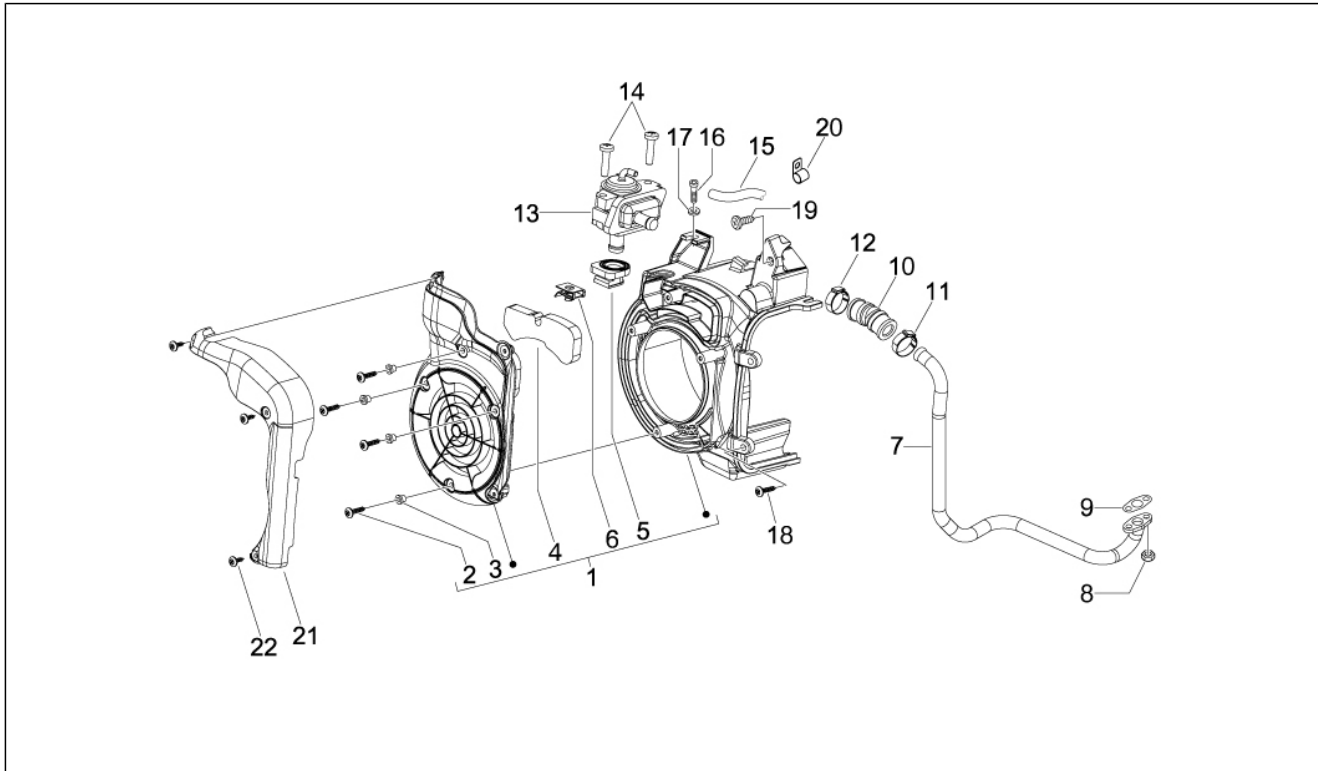
| Pos. | Code | Description | Qty | Variants |
|------|------|--------------------------|-----|----------|
| 1 | | Silencer | 1 | |
| 2 | | Guard | 1 | |
| 3 | | screw | 3 | |
| 4 | | Flat washer | 3 | |
| 5 | | Fairlead | 3 | |
| 6 | | screw | 1 | |
| 7 | | screw | 1 | |
| 8 | | Spring washer 16x8,2x2,2 | 2 | |
| 9 | | Washer | 2 | |
| 11 | | Plain washer 8,2x20x2,5 | 2 | |
| 12 | | Nut | 2 | |

| | |
|--------------------|------------|
| Group | Engine |
| Code | 01.45 |
| Description | Air filter |
| Service | 1 |



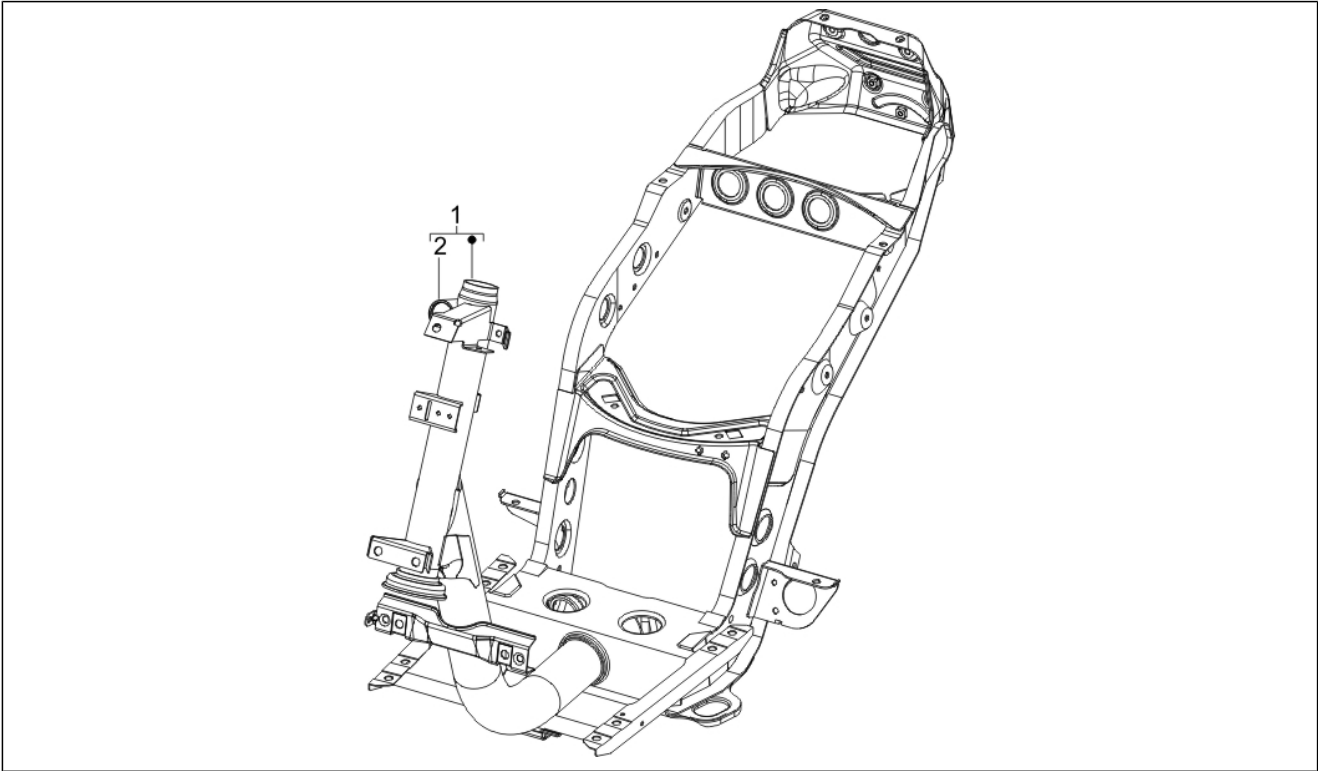
| Pos. | Code | Description | Qty | Variants |
|------|------|--------------------------|-----|----------|
| 1 | | Complete air cleaner box | 1 | |
| 2 | | Self-tap screw M3x20 | 5 | |
| 3 | | Air filter closing knob | 1 | |
| 4 | | Gasket | 1 | |
| 5 | | Air filter | 1 | |
| 6 | | Air calibration tube | 1 | |
| 7 | | Cap | 1 | |
| 8 | | Knurled bushing | 4 | |
| 9 | | Special cap screw M6x50 | 2 | |
| 10 | | Notched washer 6,6x11x0 | 2 | |
| 11 | | Flat washer 6,4x12x1 | 2 | |
| 12 | | Spring plate M6 | 2 | |
| 13 | | Solenoid valve | 1 | |
| 14 | | Air hose | 1 | |
| 15 | | Hose clamp | 1 | |
| 16 | | Fairlead | 1 | |
| 17 | | TBCIC Screw | 1 | |
| 18 | | Hose clamp | 1 | |
| 19 | | Hose clamp | 1 | |

| | |
|--------------------|-------------------|
| Group | Engine |
| Code | 01.46 |
| Description | Secondary air box |
| Service | 1 |



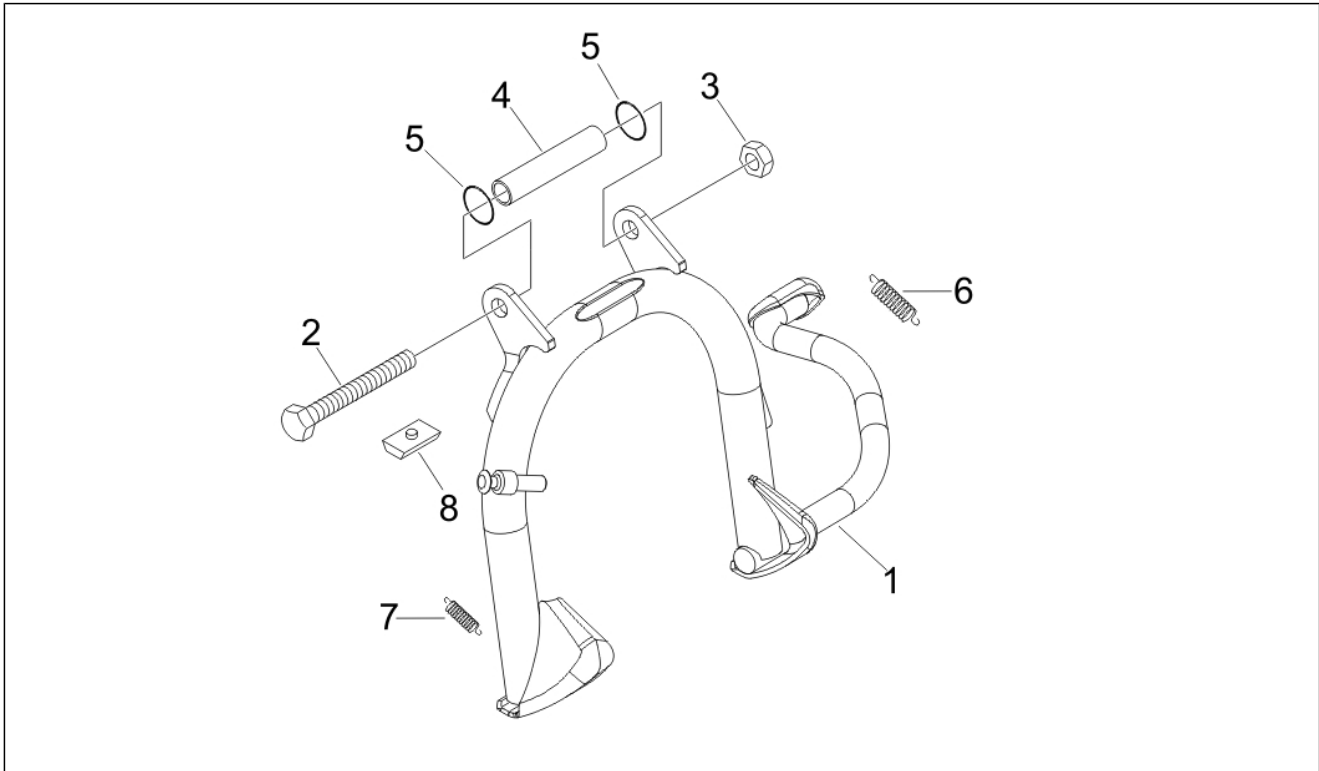
| Pos. | Code | Description | Qty | Variants |
|------|------|---|-----|----------|
| 1 | | Complete air duct | 1 | |
| 2 | | Self-tap screw M3x20 | 4 | |
| 3 | | Bush | 4 | |
| 4 | | Filtering element | 1 | |
| 5 | | Gasket | 1 | |
| 6 | | Spring plate M6 | 2 | |
| 7 | | Complete s.a.s. pipe | 1 | |
| 8 | | Nut | 2 | |
| 9 | | Gasket | 1 | |
| 10 | | s.a.s. joint pipe | 1 | |
| 11 | | Hose clamp | 1 | |
| 12 | | Hose clamp | 1 | |
| 13 | | SAS valve | 1 | |
| 14 | | Screw | 2 | |
| 15 | | Depression pipe | 1 | |
| 16 | | Hex socket screw M5x25 | 2 | |
| 17 | | Washer $\varnothing 5 \times \varnothing 12 \times 1.1$ | 2 | |
| 18 | | Screw M5x22 | 3 | |
| 19 | | screw | 2 | |
| 20 | | Hose clamp | 1 | |
| 21 | | Flywheel cover | 1 | |
| 22 | | Self tapping screw | 3 | |

| | |
|--------------------|-----------------------------------|
| Group | Frame - Plastic parts - Coachwork |
| Code | 02.01 |
| Description | Frame/bodywork |
| Service | 1 |



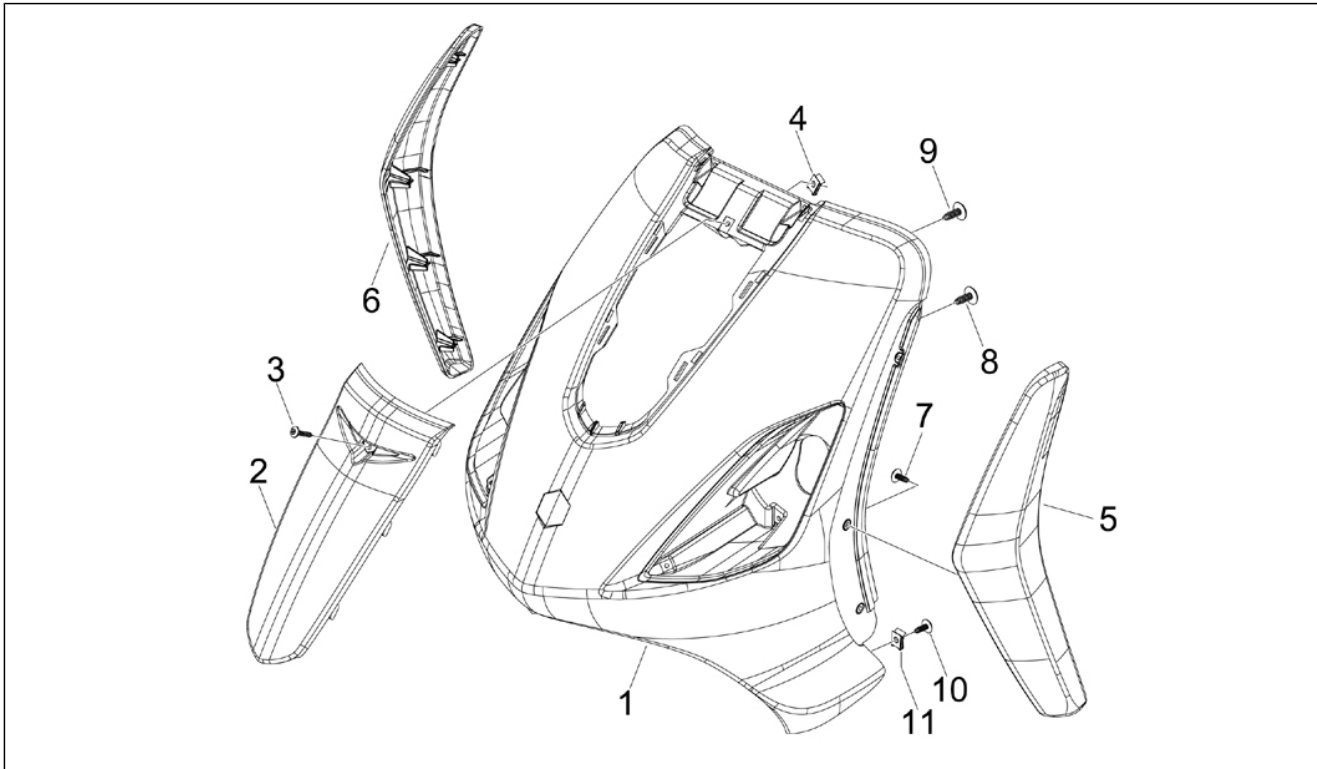
| Pos. | Code | Description | Qty | Variants |
|------|------|-----------------|-----|----------|
| 1 | | Frame with u.p. | 1 | |
| 2 | | Lock support | 1 | |

| | |
|--------------------|-----------------------------------|
| Group | Frame - Plastic parts - Coachwork |
| Code | 02.25 |
| Description | Stand/s |
| Service | 1 |



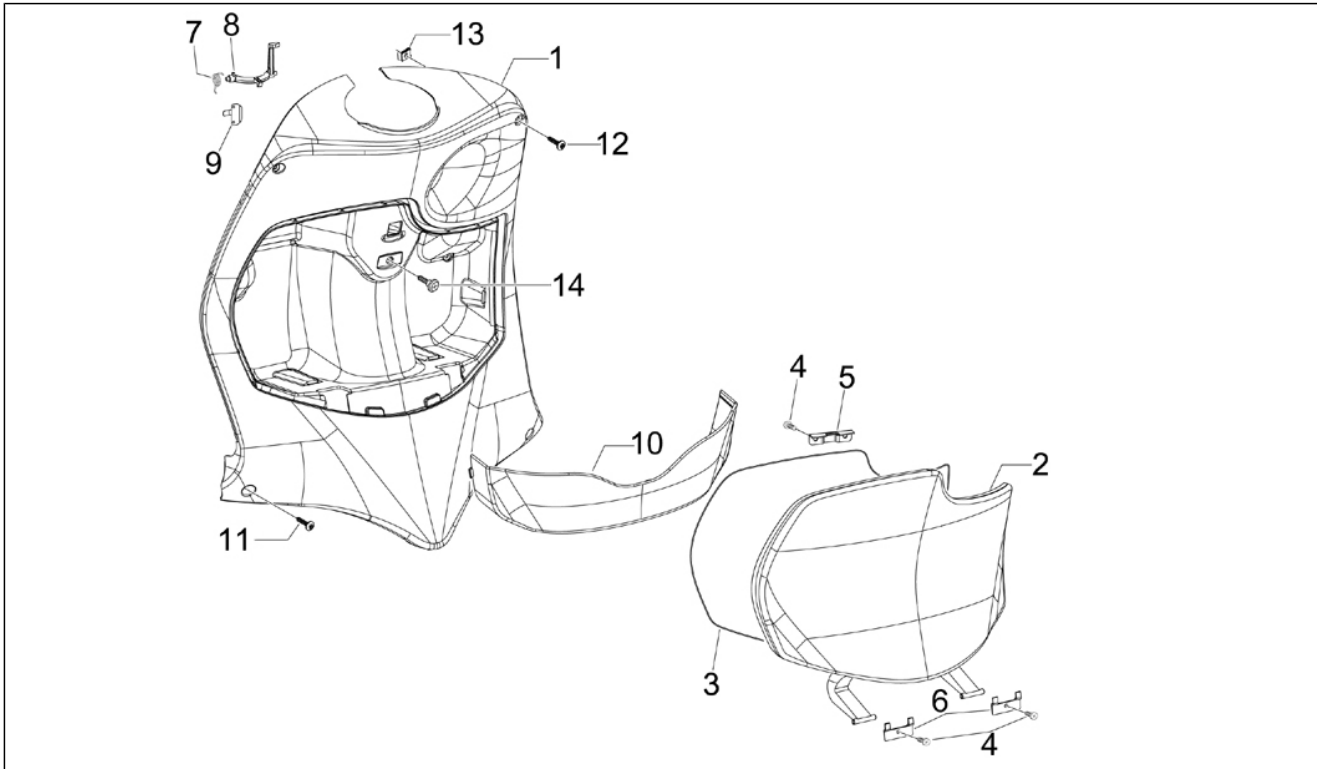
| Pos. | Code | Description | Qty | Variants |
|------|------|----------------------|-----|----------|
| 1 | | Central stand | 1 | |
| 2 | | Hex screw M10x130 | 1 | |
| 3 | | Self locking nut M10 | 1 | |
| 3 | | Self locking nut M10 | 1 | |
| 4 | | Spacer | 1 | |
| 5 | | O-ring | 2 | |
| 6 | | Spring | 1 | |
| 7 | | Spring | 1 | |
| 8 | | Pad | 1 | |

| | |
|--------------------|-----------------------------------|
| Group | Frame - Plastic parts - Coachwork |
| Code | 02.26 |
| Description | Front shield |
| Service | 1 |



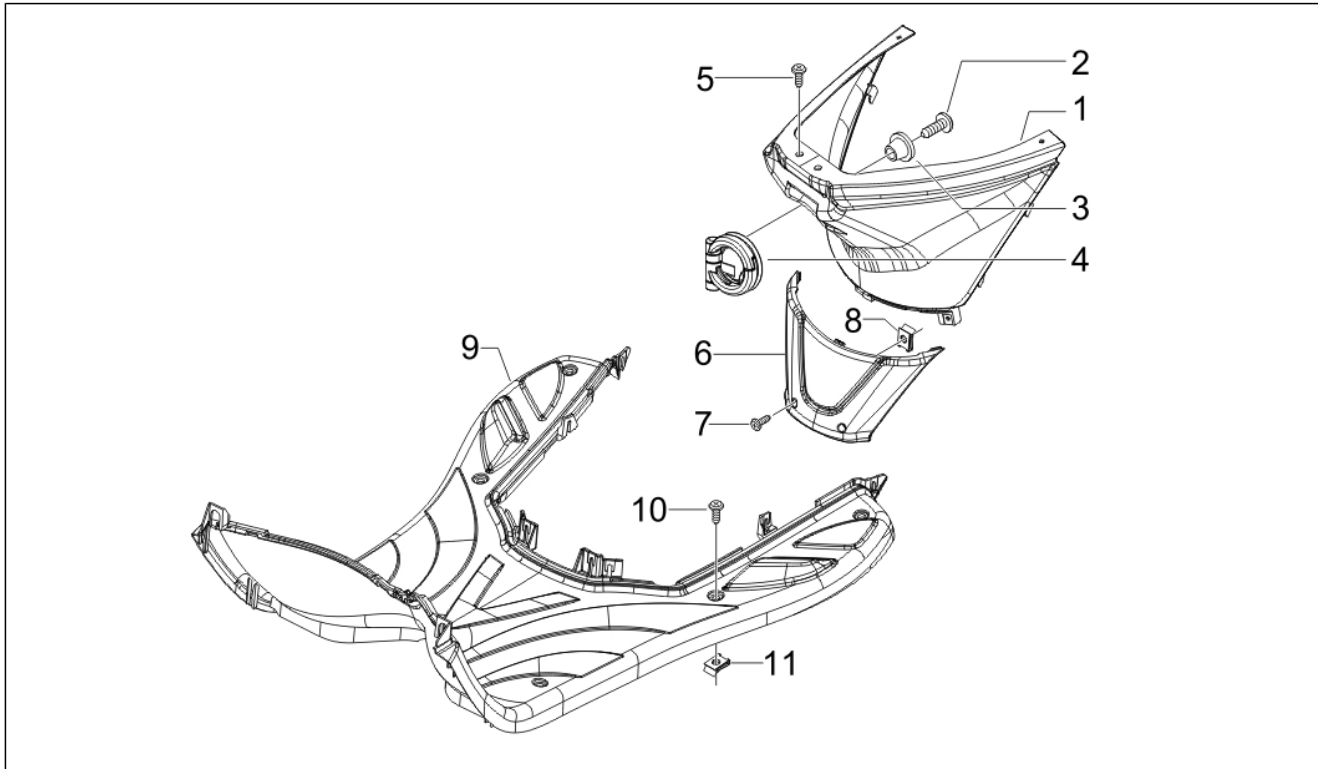
| Pos. | Code | Description | Qty | Variants |
|------|------|-----------------------|-----|--|
| 1 | | Front shield nero | 1 | Colour:Shiny Black[94] |
| 1 | | Front shield grigio | 1 | Colour:Excalibur Grey[738/A] |
| 1 | | Front shield bianco | 1 | Colour:Optic White[724] |
| 1 | | Front shield blu | 1 | Colour:Midnight Blue[222/A] |
| 1 | | Front shield | 1 | |
| 2 | | Steering column cover | 1 | Colour:Shiny Black[94] |
| 2 | | Steering column cover | 1 | Colour:Midnight Blue[222/A] |
| 2 | | Steering column cover | 1 | Colour:Optic White[724] |
| 2 | | Steering column cover | 1 | |
| 2 | | Steering column cover | 1 | Colour:Excalibur Grey[738/A] |
| 3 | | screw | 1 | |
| 4 | | Spring plate | 1 | |
| 5 | | Deflector l.h. grigio | 1 | Colour:Optic White[724] Colour:Shiny Black[94] Colour:Midnight Blue[222/A] Colour:Excalibur Grey[738/A] |
| 6 | | Deflector r.h. grigio | 1 | Colour:Optic White[724] Colour:Shiny Black[94] Colour:Midnight Blue[222/A] Colour:Excalibur Grey[738/A] |
| 7 | | Self tapping screw | 6 | |
| 8 | | Screw M6x16 | 1 | |
| 9 | | Self tapping screw | 2 | |
| 10 | | Self-tap screw | 2 | |
| 11 | | Spring plate | 2 | |

| | |
|--------------------|------------------------------------|
| Group | Frame - Plastic parts - Coachwork |
| Code | 02.30 |
| Description | Front glove-box - Knee-guard panel |
| Service | 1 |



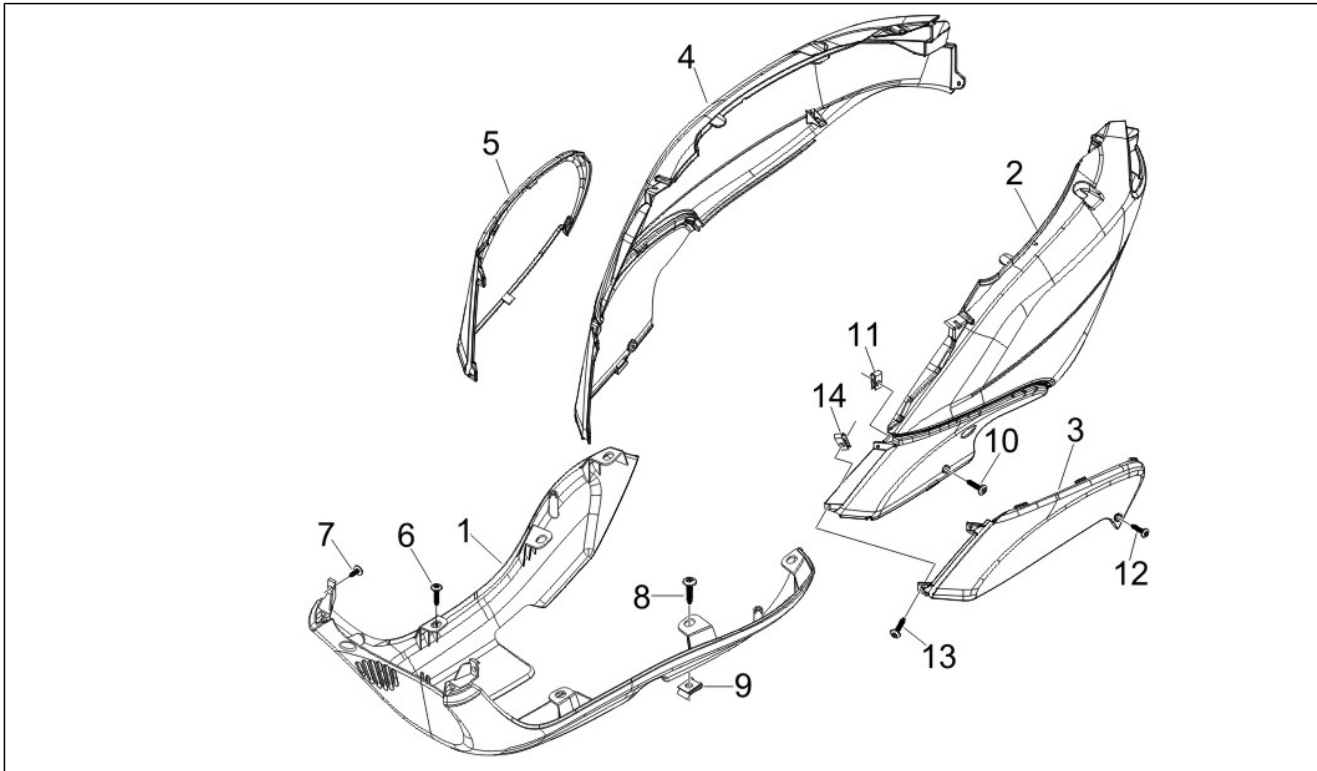
| Pos. | Code | Description | Qty | Variants |
|------|------|----------------------|-----|--|
| 1 | | Counter shield | 1 | Colour:Optic White[724] Colour:Shiny Black[94] Colour:Midnight Blue[222/A] Colour:Excalibur Grey[738/A] |
| 2 | | Top case door | 1 | Colour:Optic White[724] Colour:Shiny Black[94] Colour:Midnight Blue[222/A] Colour:Excalibur Grey[738/A] |
| 3 | | Gasket | 1 | |
| 4 | | Self tapping screw | 4 | |
| 5 | | Square | 1 | |
| 6 | | Door fixing bracket | 2 | |
| 7 | | Spring | 1 | |
| 8 | | Hook | 1 | |
| 9 | | Locking plate | 1 | |
| 10 | | Rim | 1 | Colour:Optic White[724] Colour:Midnight Blue[222/A] Colour:Excalibur Grey[738/A] Colour:Shiny Black[94] |
| 11 | | Self-tap screw M3x20 | 2 | |
| 12 | | Self-tap screw | 4 | |
| 13 | | Spring plate | 4 | |
| 14 | | Metric screw TBC | 1 | |

| | |
|--------------------|-----------------------------------|
| Group | Frame - Plastic parts - Coachwork |
| Code | 02.31 |
| Description | Central cover - Footrests |
| Service | 1 |



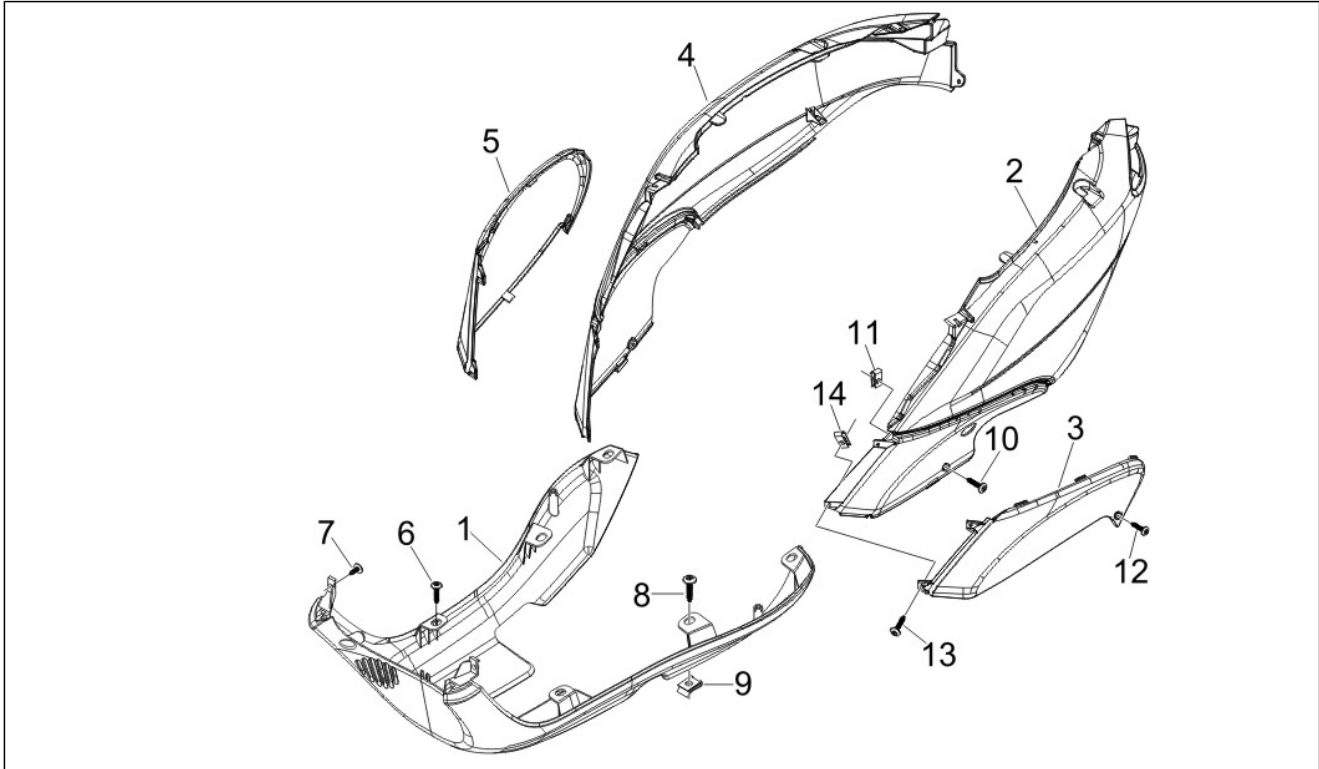
| Pos. | Code | Description | Qty | Variants |
|------|------|-----------------------|-----|--|
| 1 | | Under seat cover | 1 | Colour:Optic White[724] Colour:Midnight Blue[222/A] Colour:Excalibur Grey[738/A] Colour:Shiny Black[94] |
| 2 | | Screw M4,2x13 | 2 | |
| 3 | | Knurled bushing | 2 | |
| 4 | | Bag holder hook | 1 | |
| 5 | | screw 4,2x19 | 2 | |
| 6 | | Spark plug insp. door | 1 | Colour:Optic White[724] Colour:Excalibur Grey[738/A] Colour:Shiny Black[94] Colour:Midnight Blue[222/A] |
| 7 | | Self-tap screw | 2 | |
| 8 | | Spring plate | 2 | |
| 9 | | Footrest | 1 | Colour:Optic White[724] Colour:Midnight Blue[222/A] Colour:Excalibur Grey[738/A] Colour:Shiny Black[94] |
| 10 | | Metric screw TBC | 6 | |
| 11 | | Spring plate M6 | 6 | |

| | |
|--------------------|-----------------------------------|
| Group | Frame - Plastic parts - Coachwork |
| Code | 02.32 |
| Description | Side cover - Spoiler |
| Service | 1 |



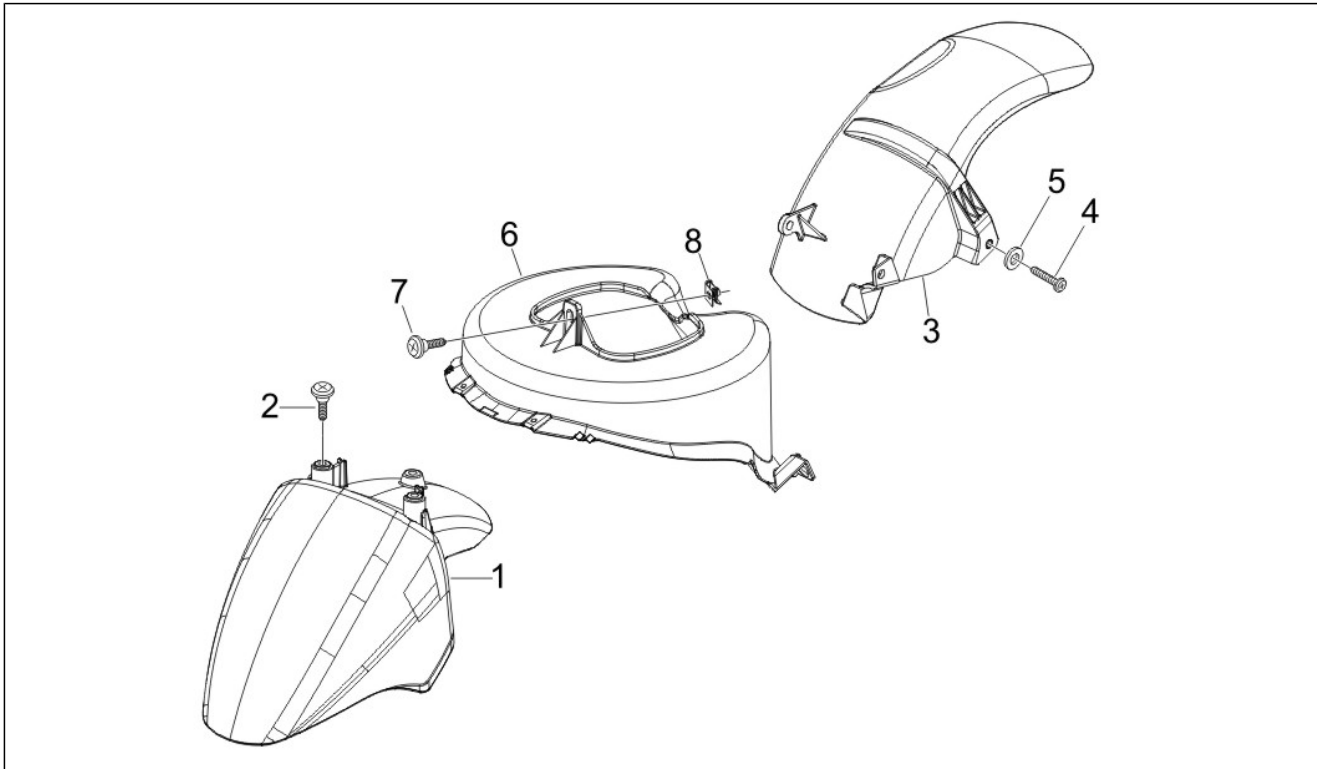
| Pos. | Code | Description | Qty | Variants |
|------|------|-----------------------|-----|--|
| 1 | | Lower spoiler grigio | 1 | Colour:Optic White[724] Colour:Excalibur Grey[738/A] Colour:Shiny Black[94] Colour:Midnight Blue[222/A] |
| 2 | | Rear body side L.H. | 1 | Colour:Shiny Black[94] |
| 2 | | Rear body side l.h. | 1 | Colour:Midnight Blue[222/A] |
| 2 | | Rear body side L.H. | 1 | |
| 2 | | Rear body side L.H. | 1 | Colour:Optic White[724] |
| 2 | | Rear body side L.H. | 1 | Colour:Excalibur Grey[738/A] |
| 3 | | Lower side panel l.h. | 1 | Colour:Optic White[724] Colour:Midnight Blue[222/A] Colour:Excalibur Grey[738/A] Colour:Shiny Black[94] |
| 4 | | Rear body side R.H. | 1 | Colour:Excalibur Grey[738/A] |
| 4 | | Rear body side r.h. | 1 | Colour:Midnight Blue[222/A] |
| 4 | | Rear body side R.H. | 1 | |
| 4 | | Rear body side R.H. | 1 | Colour:Optic White[724] |
| 4 | | Rear body side R.H. | 1 | Colour:Shiny Black[94] |
| 5 | | Lower side panel r.h. | 1 | Colour:Optic White[724] Colour:Shiny Black[94] Colour:Midnight Blue[222/A] Colour:Excalibur Grey[738/A] |
| 6 | | Metric screw TBC | 2 | |
| 7 | | Self tapping screw | 2 | |
| 8 | | TBCIC Screw | 2 | |
| 9 | | Spring plate M6 | 2 | |
| 10 | | Self-tap screw | 8 | |
| 11 | | Spring plate | 4 | |
| 12 | | Self-tap screw | 2 | |
| 13 | | screw 4,2x19 | 4 | |

| | |
|--------------------|-----------------------------------|
| Group | Frame - Plastic parts - Coachwork |
| Code | 02.32 |
| Description | Side cover - Spoiler |
| Service | 1 |



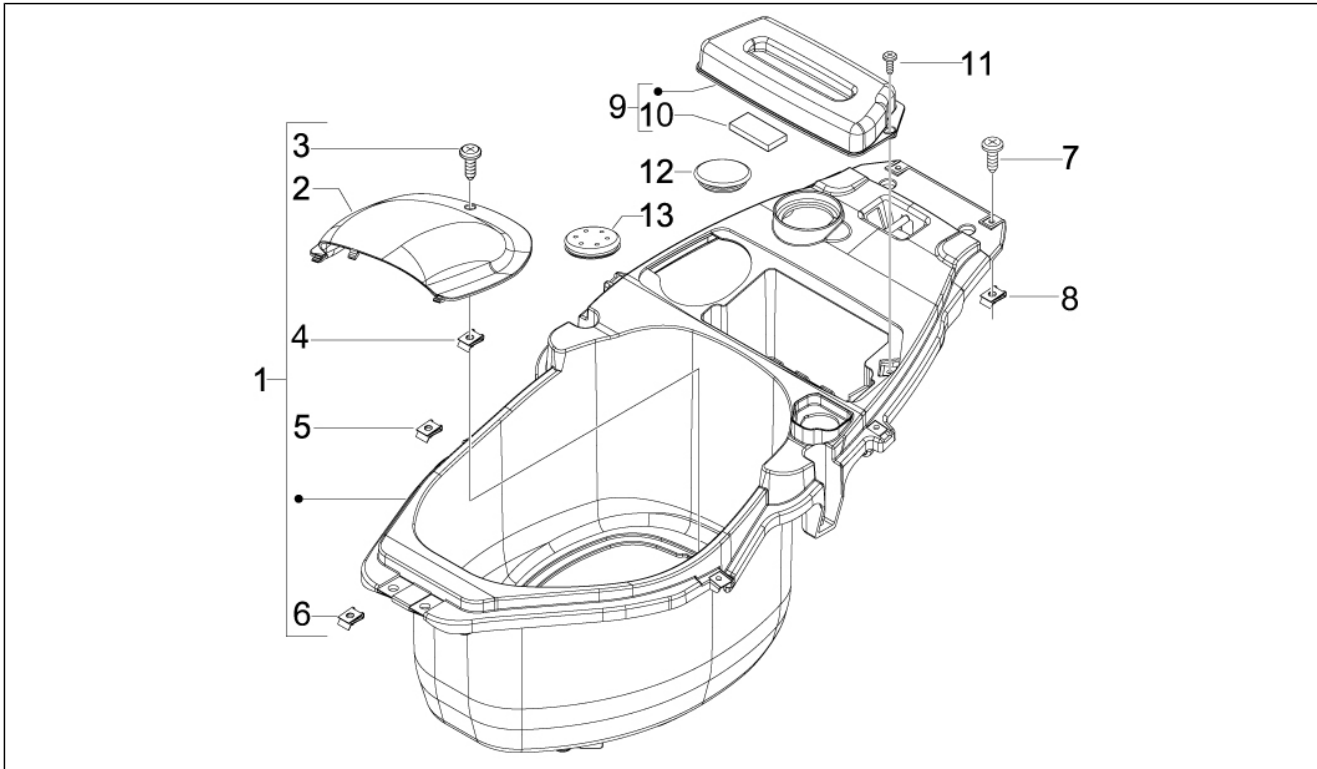
| Pos. | Code | Description | Qty | Variants |
|------|------|--------------|-----|----------|
| 14 | | Spring plate | 6 | |

| | |
|--------------------|-----------------------------------|
| Group | Frame - Plastic parts - Coachwork |
| Code | 02.33 |
| Description | Wheel huosing - Mudguard |
| Service | 1 |



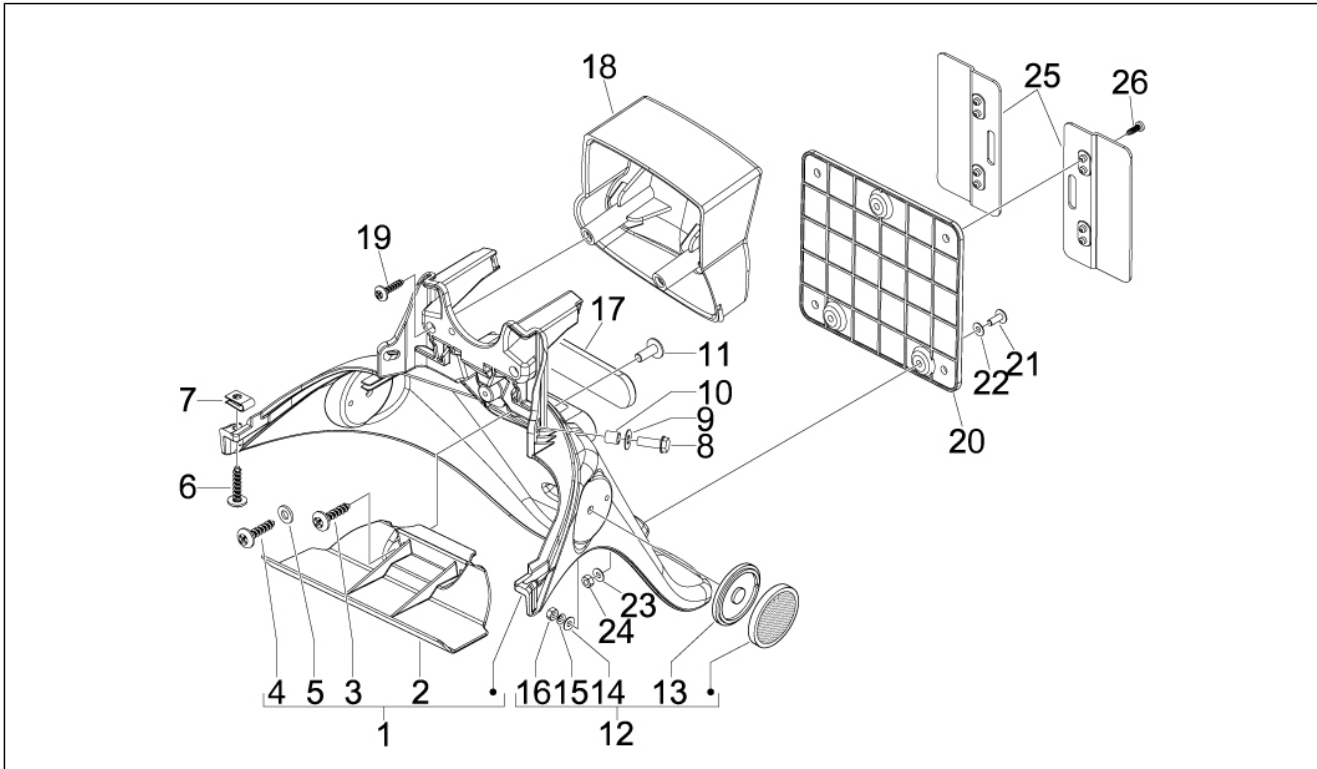
| Pos. | Code | Description | Qty | Variants |
|------|------|-------------------------|-----|------------------------------|
| 1 | | Front mudguard v.nero | 1 | Colour:Shiny Black[94] |
| 1 | | Front mudguard v.grigio | 1 | Colour:Excalibur Grey[738/A] |
| 1 | | Front mudguard v.bianco | 1 | Colour:Optic White[724] |
| 1 | | Front mudguard v.blu | 1 | Colour:Midnight Blue[222/A] |
| 1 | | Front mudguard | 1 | |
| 2 | | Metric screw TBC | 3 | |
| 3 | | Rear mudguard | 1 | |
| 4 | | Metric screw TBC | 1 | |
| 5 | | Spring washer | 1 | |
| 6 | | Wheel compartment | 1 | |
| 7 | | Metric screw TBC | 1 | |
| 8 | | Spring plate M6 | 1 | |

| | |
|--------------------|-----------------------------------|
| Group | Frame - Plastic parts - Coachwork |
| Code | 02.34 |
| Description | Helmet huosing - Undersaddle |
| Service | 1 |



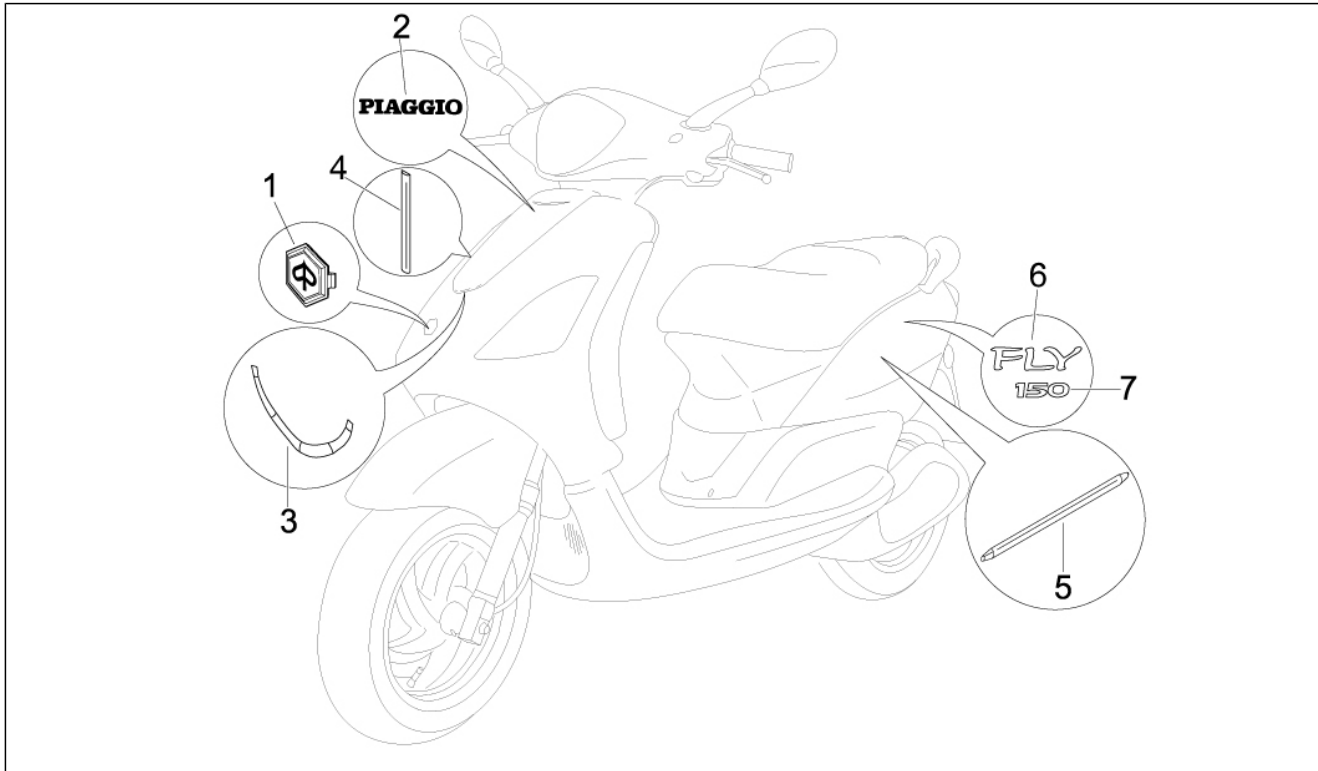
| Pos. | Code | Description | Qty | Variants |
|------|------|------------------------|-----|----------|
| 1 | | Helmet holder assembly | 1 | |
| 2 | | Insp. door | 1 | |
| 3 | | Screw M4,2x13 | 1 | |
| 4 | | Spring plate | 1 | |
| 5 | | Spring plate | 7 | |
| 6 | | Spring plate M6 | 2 | |
| 7 | | Metric screw TBC | 4 | |
| 8 | | Spring plate M6 | 4 | |
| 9 | | Battery cover | 1 | |
| 10 | | Pad | 1 | |
| 11 | | Self-tap screw | 1 | |
| 12 | | Cover | 1 | |
| 13 | | Cover | 1 | |

| | |
|--------------------|-----------------------------------|
| Group | Frame - Plastic parts - Coachwork |
| Code | 02.37 |
| Description | Rear cover - Splash guard |
| Service | 1 |



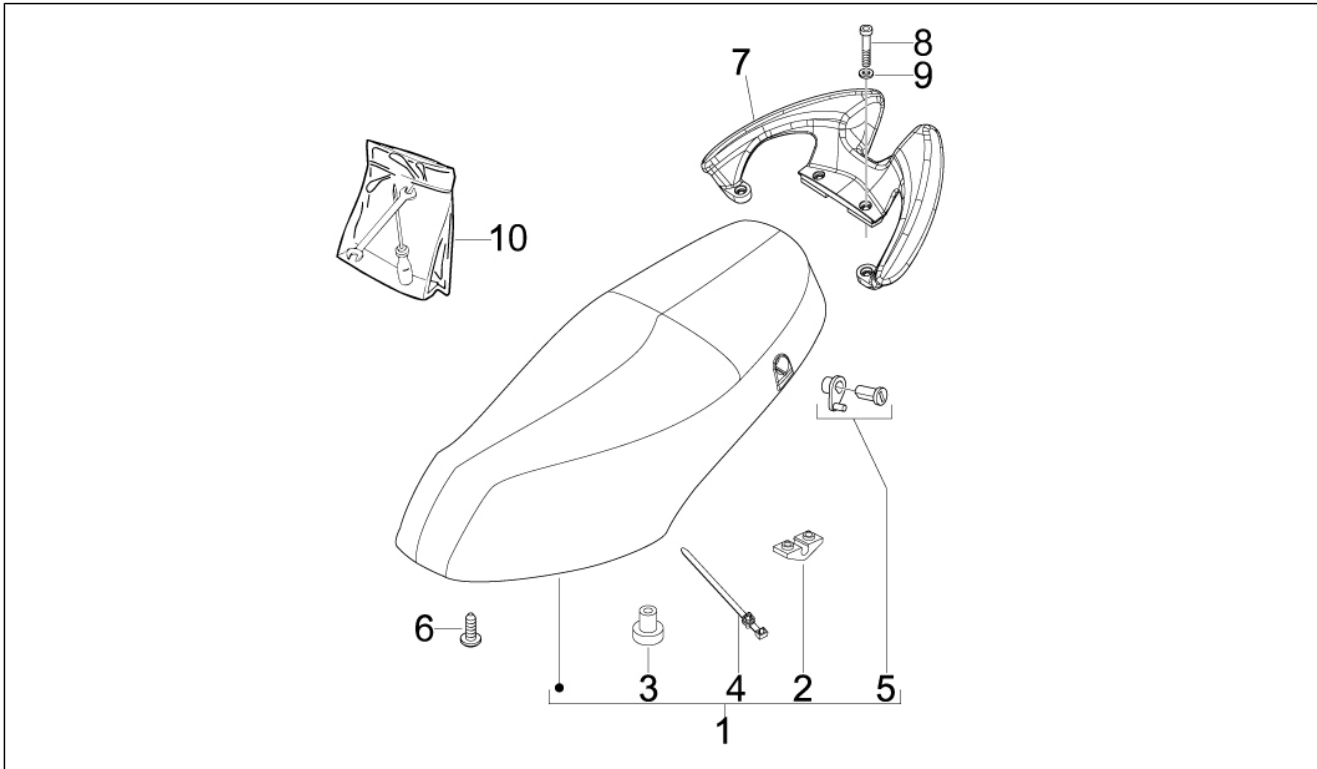
| Pos. | Code | Description | Qty | Variants |
|------|------|----------------------------|-----|--|
| 1 | | Rear splash guard | 1 | Colour:Optic White[724] Colour:Midnight Blue[222/A] Colour:Excalibur Grey[738/A] Colour:Shiny Black[94] |
| 2 | | Splash guard lower closing | 1 | |
| 3 | | TBCIC Screw | 2 | |
| 4 | | Self tapping screw | 3 | |
| 5 | | Flat washer 4,2x12x1 | 3 | |
| 6 | | screw 4,2x19 | 2 | |
| 7 | | Spring plate | 2 | |
| 8 | | Screw w/ flange M6x16 | 2 | |
| 9 | | Washer 6,2x18x2 | 2 | |
| 10 | | Spacer | 2 | |
| 11 | | Screw M6x16 | 2 | |
| 12 | | Reflector | 2 | |
| 13 | | Reflector support | 2 | |
| 14 | | Flat washer 6,4x12x1 | 2 | |
| 15 | | Spring washer 6,4x11,8x1 | 2 | |
| 16 | | Nut M6 | 2 | |
| 17 | | Rear retroreflector | 1 | |
| 20 | | License plate | 1 | |
| 21 | | Screw M4x12 | 3 | |
| 22 | | Flat washer 4,2x7,6x0,9 | 3 | |
| 23 | | Flat washer 4,2x12x1 | 3 | |
| 24 | | Nut M4 | 3 | |
| 25 | | Number-plate extension | 2 | |
| 26 | | Plug screw | 4 | |

| | |
|--------------------|-----------------------------------|
| Group | Frame - Plastic parts - Coachwork |
| Code | 02.38 |
| Description | Plates - Emblems |
| Service | 1 |



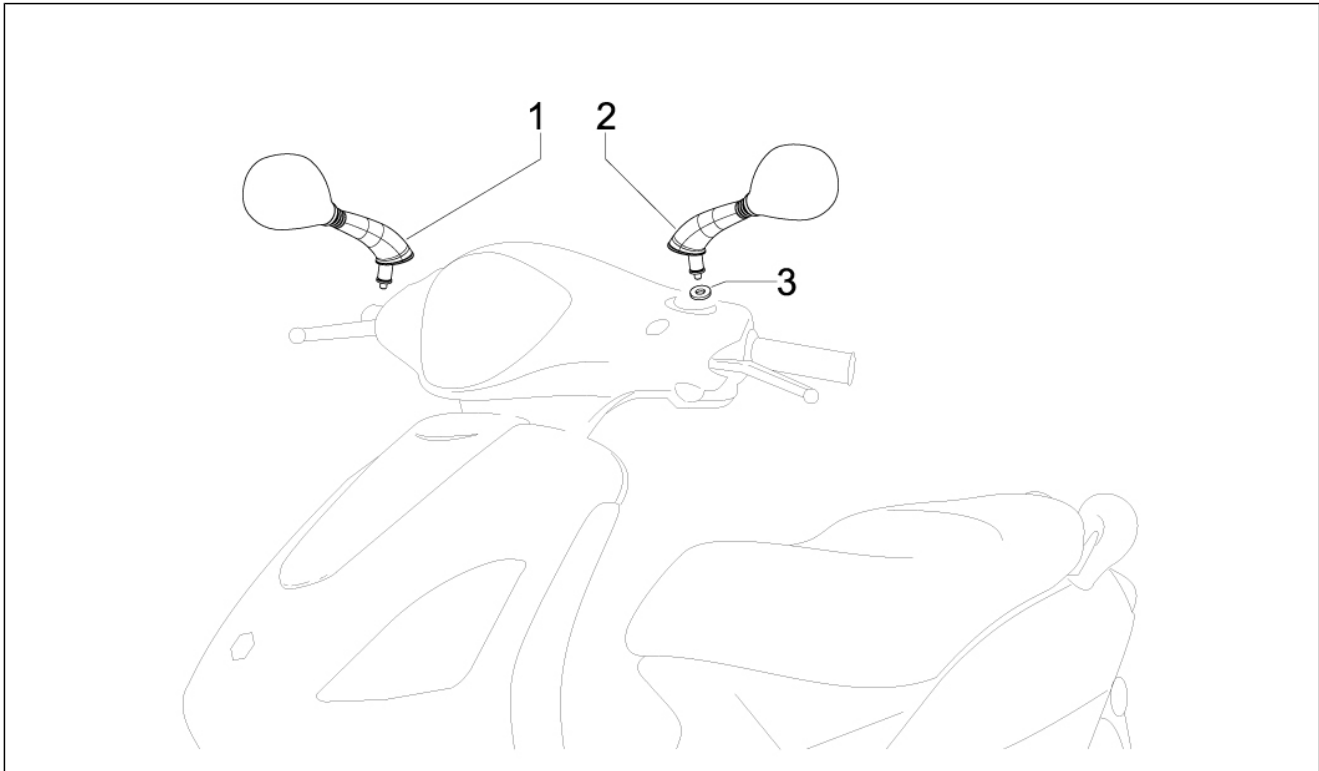
| Pos. | Code | Description | Qty | Variants |
|------|------|--------------------------------|-----|---|
| 1 | | Piaggio logo clip-on badge | 1 | |
| 2 | | "Piaggio" Plate | 1 | Colour:Optic White[724] Colour:Excalibur Grey[738/A] |
| 2 | | "Piaggio" Plate | 1 | Colour:Shiny Black[94] Colour:Midnight Blue[222/A] |
| 3 | | Shield central frame (chromed) | 1 | |
| 4 | | Shield lateral frame (chromed) | 2 | |
| 5 | | Side panel frame (chromed) | 2 | |
| 6 | | "Chromed ""Fly"" label" | 2 | |
| 7 | | Name plate 150 (Cromata) | 2 | |

| | |
|--------------------|-----------------------------------|
| Group | Frame - Plastic parts - Coachwork |
| Code | 02.39 |
| Description | Saddle/seats |
| Service | 1 |



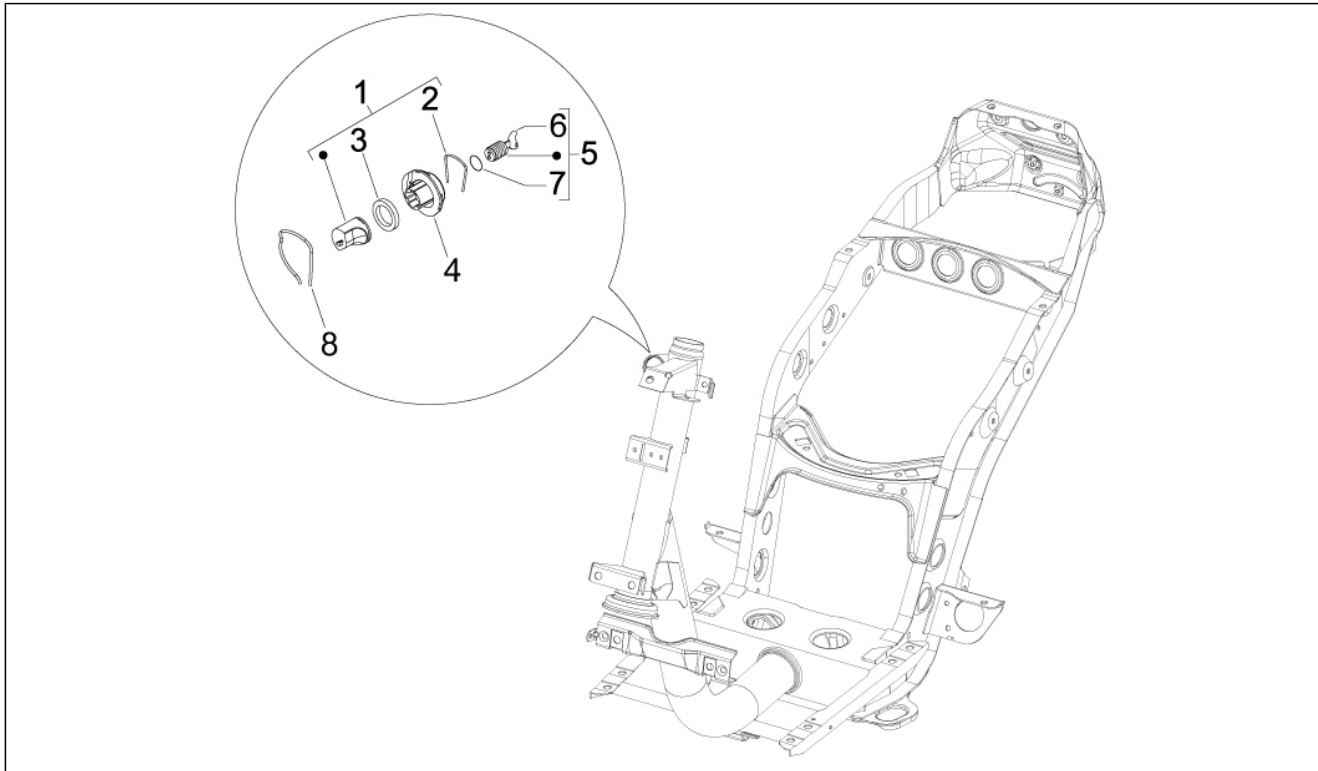
| Pos. | Code | Description | Qty | Variants |
|------|------|------------------------|-----|--|
| 1 | | Saddle | 1 | Colour:Optic White[724] Colour:Midnight Blue[222/A] Colour:Excalibur Grey[738/A] Colour:Shiny Black[94] |
| 2 | | Bracket | 1 | |
| 3 | | Pad | 4 | |
| 4 | | Hose clamp | 1 | |
| 5 | | Lock body | 1 | |
| 6 | | Metric screw M6x20 | 2 | |
| 7 | | Rear handle | 1 | Colour:Optic White[724] Colour:Midnight Blue[222/A] Colour:Excalibur Grey[738/A] Colour:Shiny Black[94] |
| 8 | | Hex socket screw | 4 | |
| 9 | | Flat washer 15x8,4x1,5 | 4 | |
| 10 | | Toolkit | 1 | |

| | |
|--------------------|-----------------------------------|
| Group | Frame - Plastic parts - Coachwork |
| Code | 02.45 |
| Description | Driving mirror/s |
| Service | 1 |



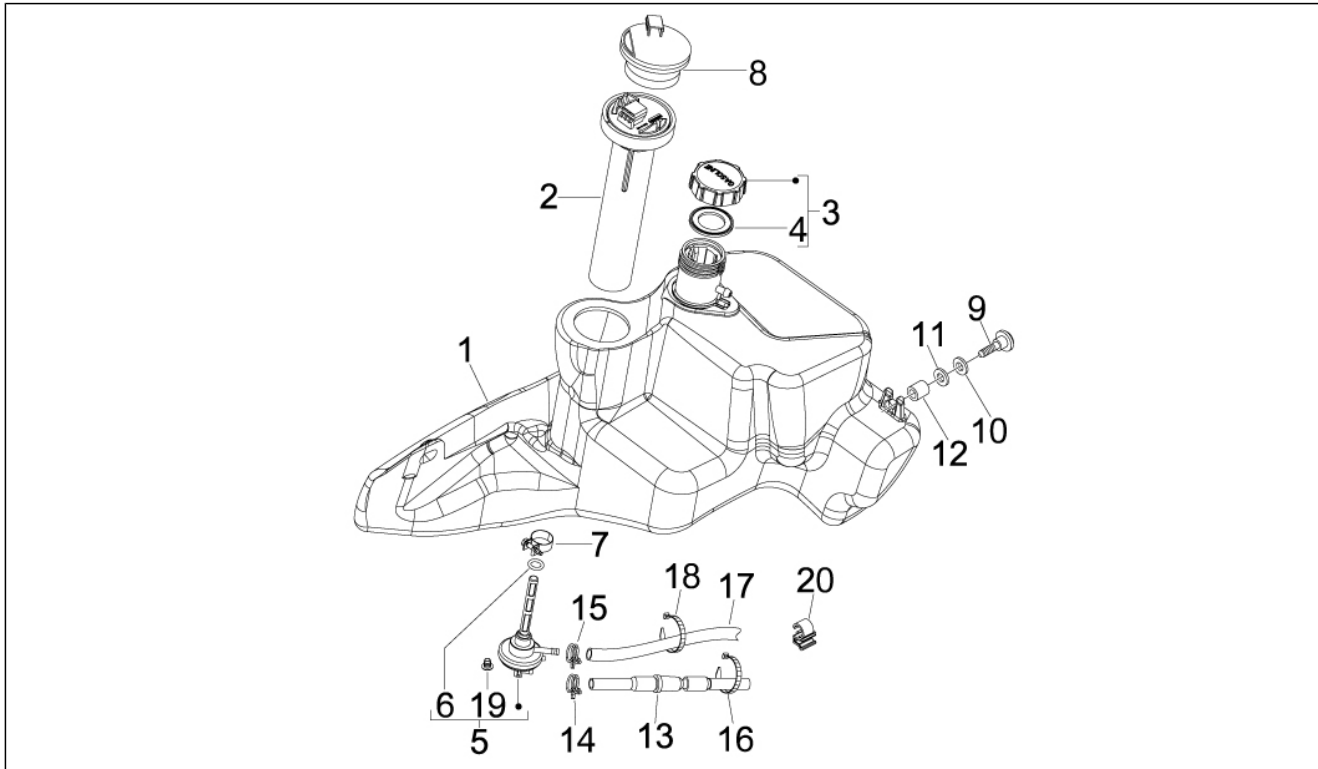
| Pos. | Code | Description | Qty | Variants |
|------|------|----------------|-----|----------|
| 1 | | Driving mirror | 1 | |
| 2 | | Driving mirror | 1 | |
| 3 | | Flat washer | 1 | |

| | |
|--------------------|-----------------------------------|
| Group | Frame - Plastic parts - Coachwork |
| Code | 02.46 |
| Description | Locks |
| Service | 1 |



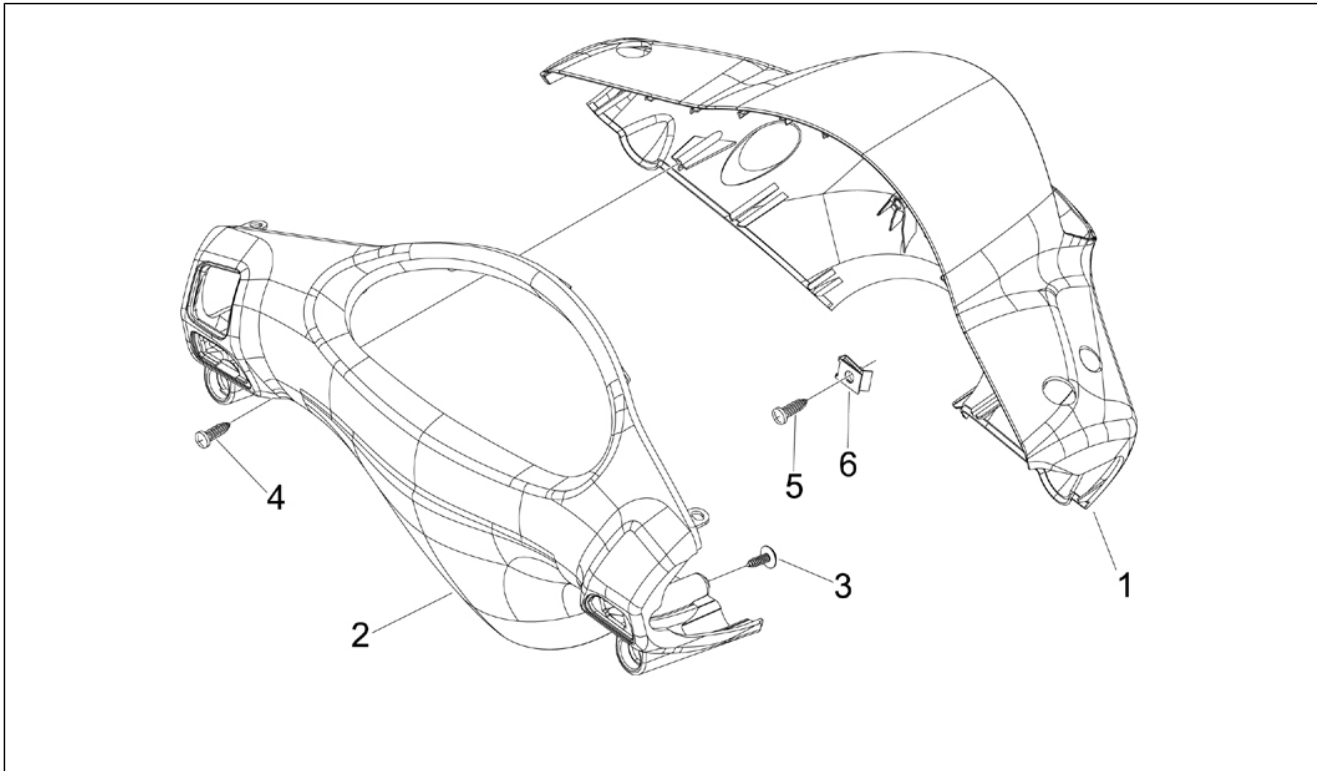
| Pos. | Code | Description | Qty | Variants |
|------|------|--------------------------|-----|----------|
| 1 | | Complete lock block | 1 | |
| 2 | | Cylinder retainer spring | 1 | |
| 3 | | Flat washer | 1 | |
| 4 | | Lock body | 1 | |
| 5 | | Cylinder set | 1 | |
| 6 | | Key | 1 | |
| 7 | | Gasket ring | 1 | |
| 8 | | Spring | 1 | |

| | |
|--------------------|-----------------------------------|
| Group | Frame - Plastic parts - Coachwork |
| Code | 02.47 |
| Description | Fuel tank |
| Service | 1 |



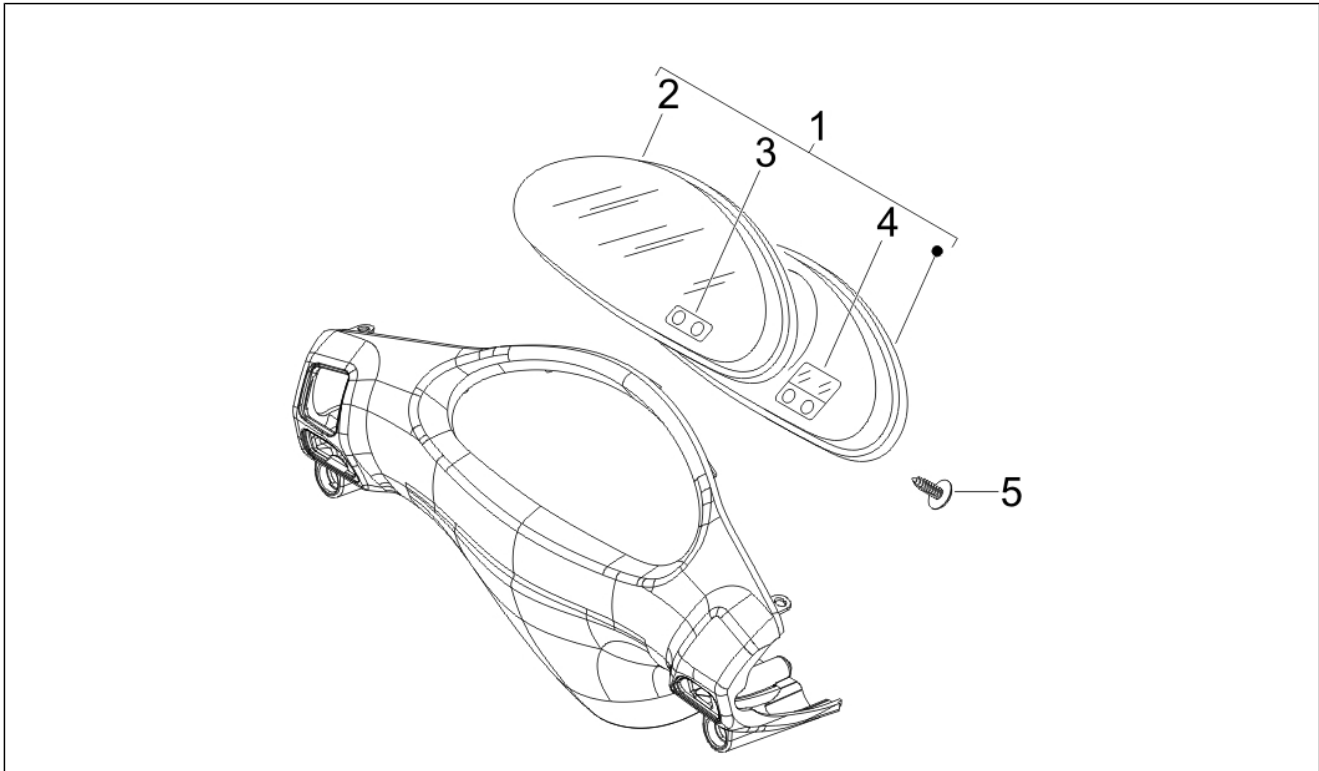
| Pos. | Code | Description | Qty | Variants |
|------|------|--------------------------|-----|----------|
| 1 | | Tank | 1 | |
| 2 | | Indicator fuel level | 1 | |
| 3 | | Plug | 1 | |
| 4 | | Tank cover gasket | 1 | |
| 5 | | Depression tap | 1 | |
| 6 | | Gasket | 1 | |
| 7 | | Hose clamp | 1 | |
| 8 | | Level ind. cover | 1 | |
| 9 | | screw M6x25 | 3 | |
| 10 | | Spring washer 6,4x11,8x1 | 3 | |
| 11 | | Flat washer 6,5x21 | 3 | |
| 12 | | Spacer | 3 | |
| 13 | | Complete vacuum pipe | 1 | |
| 14 | | Hose clamp | 2 | |
| 15 | | Hose clamp | 2 | |
| 16 | | Lock-strap L=277 | 1 | |
| 17 | | pipe 4x9x350 | 1 | |
| 18 | | Lock-strap L=180mm | 3 | |
| 19 | | Cover | 1 | |
| 20 | | Sheet edge spring | 2 | |
| 21 | | Hose clamp | 2 | |
| 23 | | pipe 3,25x8x420 | 1 | |
| 24 | | Vacuum filter | 1 | |

| | |
|--------------------|----------------------|
| Group | Handlebars/Steering |
| Code | 03.01 |
| Description | Handlebars coverages |
| Service | 1 |



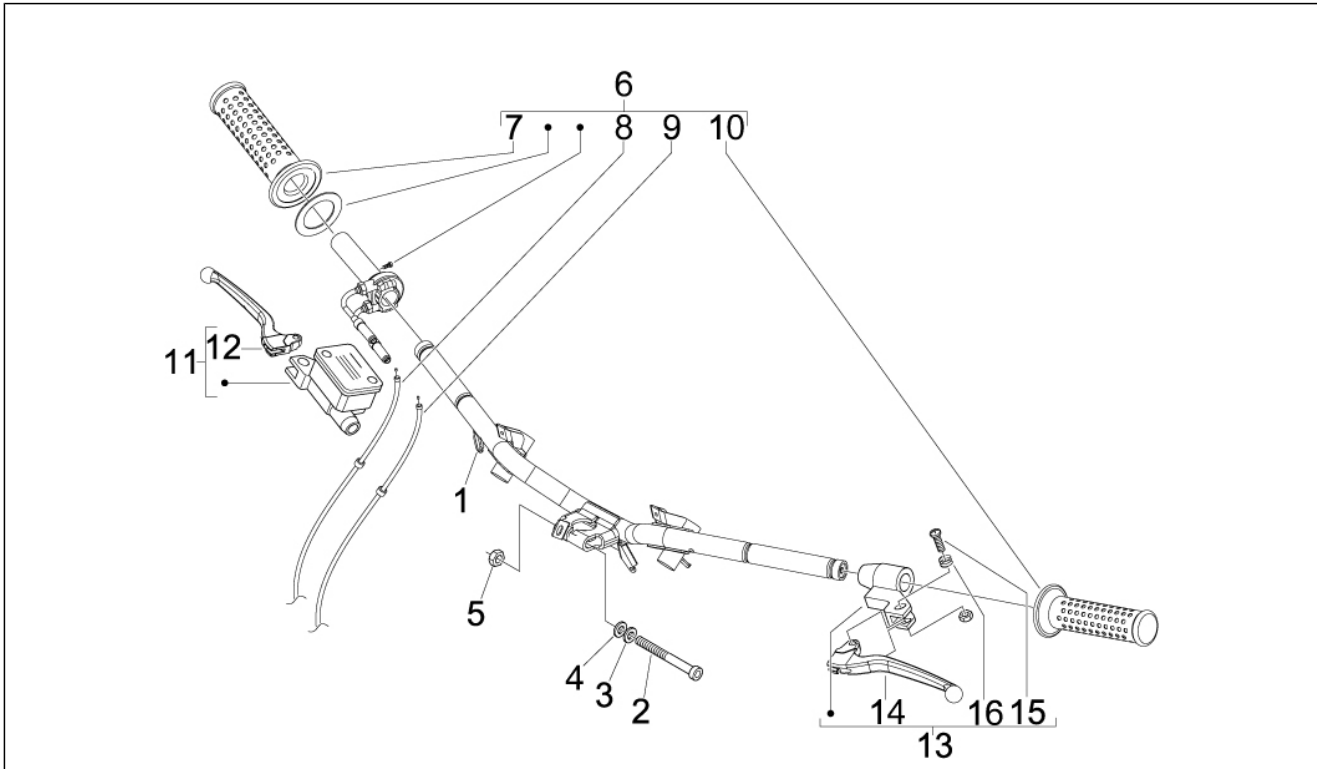
| Pos. | Code | Description | Qty | Variants |
|------|------|----------------------------------|-----|--|
| 1 | | Front handlebar cover | 1 | Colour:Excalibur Grey[738/A] |
| 1 | | Front handlebar cover | 1 | Colour:Midnight Blue[222/A] |
| 1 | | Front handlebar cover | 1 | Colour:Shiny Black[94] |
| 1 | | Front handlebar cover | 1 | Colour:Optic White[724] |
| 1 | | Front booby hatch | 1 | |
| 2 | | Handlebar rear cover (Pull-Pull) | 1 | Colour:Optic White[724] Colour:Midnight Blue[222/A] Colour:Excalibur Grey[738/A] Colour:Shiny Black[94] |
| 3 | | TBCIC Screw | 4 | |
| 4 | | Self tapping screw | 2 | |
| 5 | | Self-tap screw M4,2x19 | 1 | |
| 6 | | Spring plate | 1 | |

| | |
|--------------------|-------------------------------|
| Group | Handlebars/Steering |
| Code | 03.02 |
| Description | Meter combination - Cruscotto |
| Service | 1 |



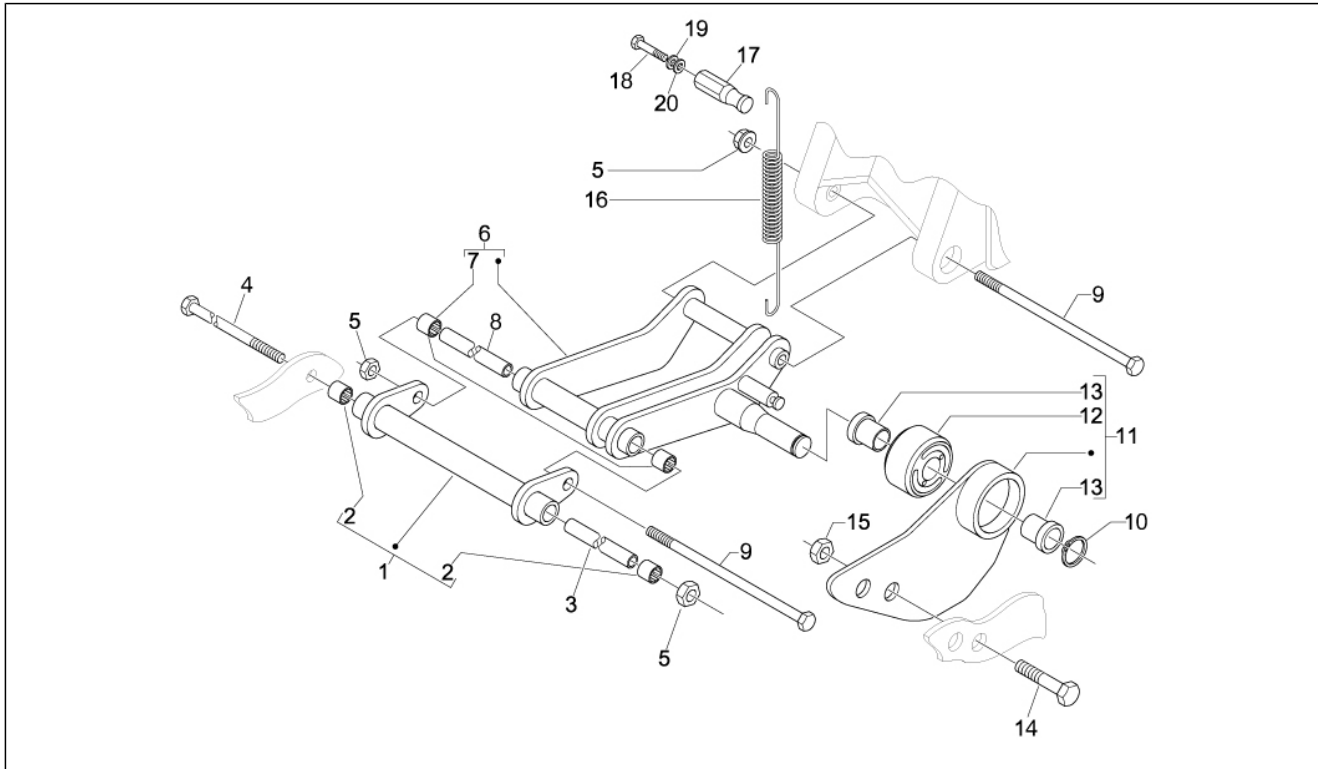
| Pos. | Code | Description | Qty | Variants |
|------|------|--------------------------------|-----|----------|
| 1 | | Meter assy, combination CANADA | 1 | |
| 2 | | Speed. kms. cover | 1 | |
| 3 | | Button | 1 | |
| 4 | | Clock | 1 | |
| 5 | | TBCIC Screw | 4 | |
| 6 | | Battery for clock | 1 | |

| | |
|--------------------|--------------------------|
| Group | Handlebars/Steering |
| Code | 03.06 |
| Description | Handlebars - Master cil. |
| Service | 1 |



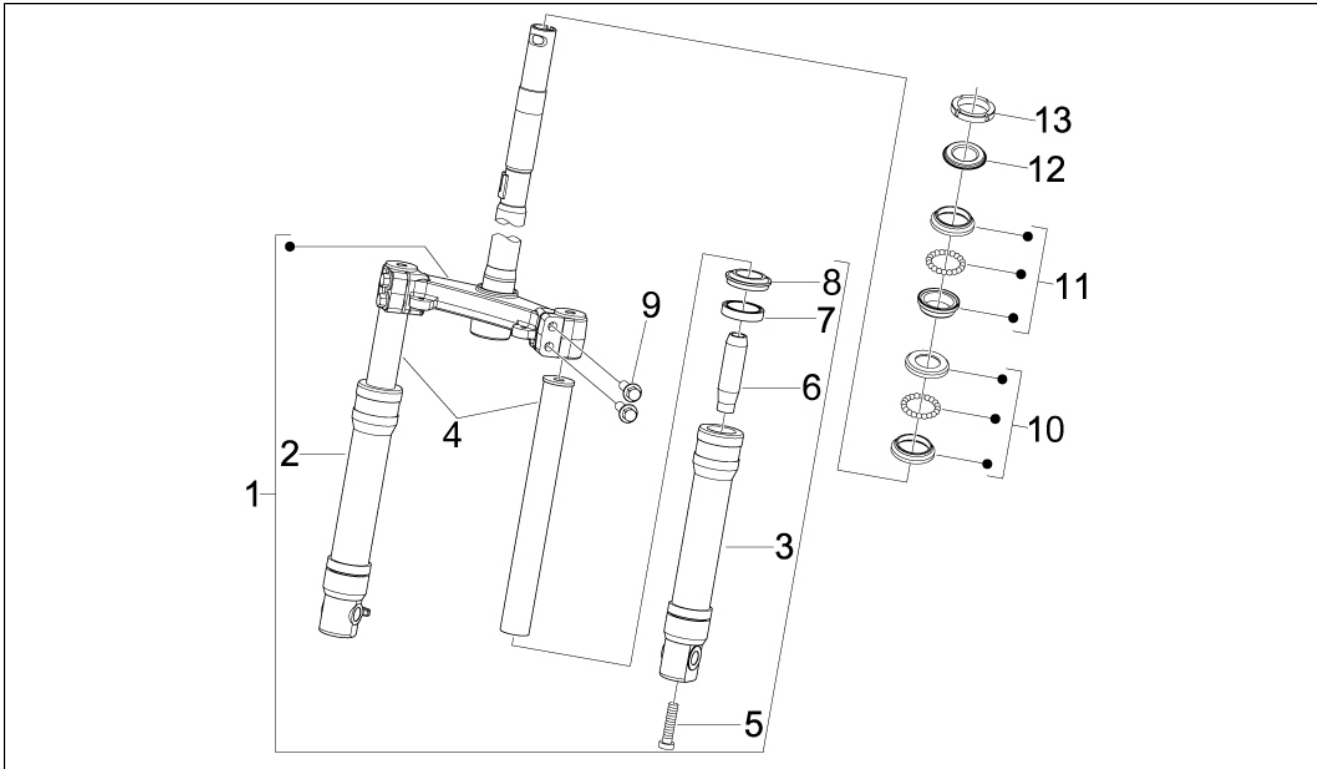
| Pos. | Code | Description | Qty | Variants |
|------|------|---|-----|----------|
| 1 | | Handlebar | 1 | |
| 1 | | Handlebar | 1 | |
| 2 | | Hex socket screw | 1 | |
| 3 | | Flat washer | 1 | |
| 4 | | Flat elastic washer with internal tothing 17x10,3x2 | 1 | |
| 5 | | Nut M10 | 1 | |
| 6 | | Throttle cpl. | 1 | |
| 7 | | Grip, l.h. | 1 | |
| 8 | | Opening throttle cable | 1 | |
| 9 | | Closure throttle cable | 1 | |
| 10 | | RH hand grip | 1 | |
| 11 | | Front brakes pump assembly (Heng Tong) | 1 | |
| 11 | | Front brake lever hydraulic pump GRIMECA | 1 | |
| 12 | | Fr. br. lever GRIMECA | 1 | |
| 12 | | Brake lever | 1 | |
| 13 | | Left hand grip with rear brake lever | 1 | |
| 14 | | Rear brake control lever | 1 | |
| 15 | | Screw with bushing | 1 | |
| 16 | | Spring | 1 | |

| | |
|--------------------|----------------------|
| Group | Suspensions - Wheels |
| Code | 04.01 |
| Description | Swinging arm |
| Service | 1 |



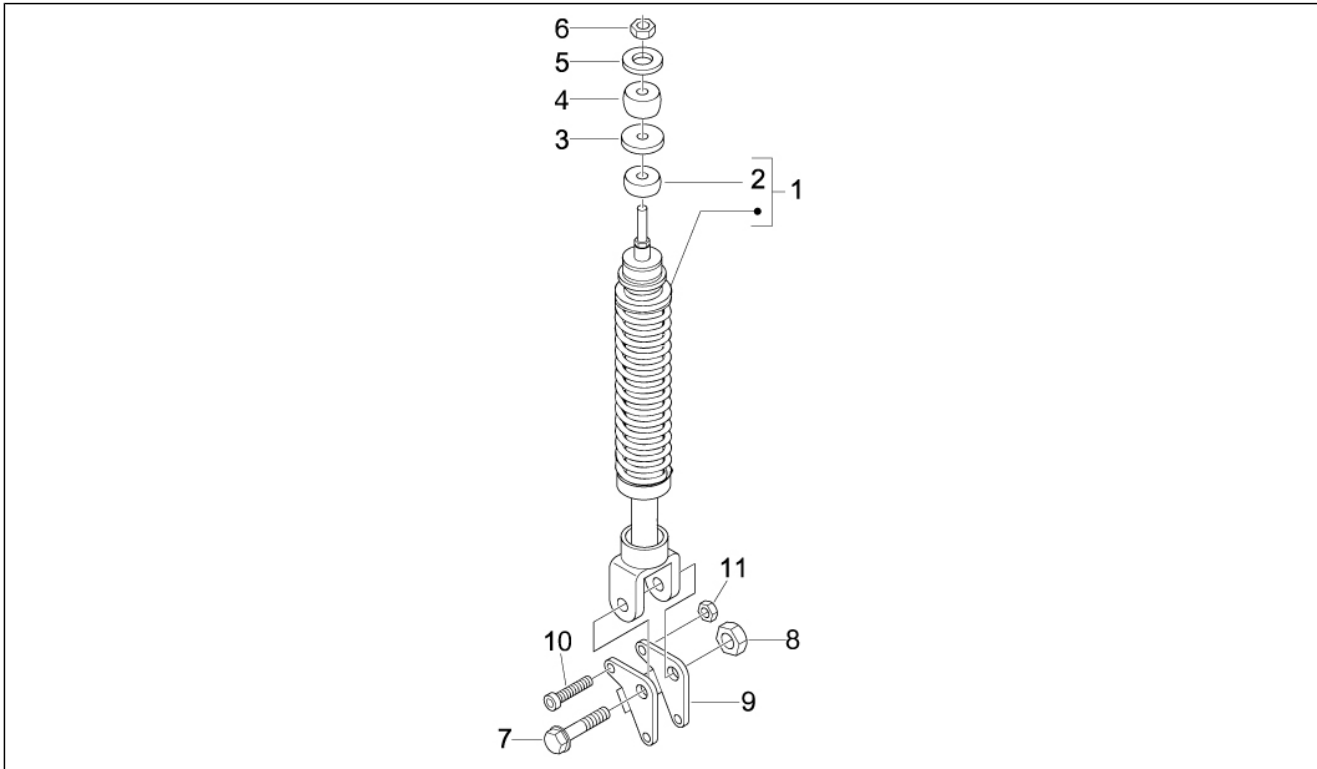
| Pos. | Code | Description | Qty | Variants |
|------|------|--------------------------------------|-----|----------|
| 1 | | Chassis side swinging arm | 1 | |
| 2 | | Roller cage | 2 | |
| 3 | | Spacer | 1 | |
| 4 | | Hex screw M10x245 | 1 | |
| 5 | | Self locking nut M10 | 3 | |
| 6 | | Complete swinging arm on engine side | 1 | |
| 7 | | Roller cage | 2 | |
| 8 | | Spacer L=183 mm | 1 | |
| 9 | | Hex screw M10x202 | 2 | |
| 10 | | Circlip | 1 | |
| 11 | | Bracket | 1 | |
| 12 | | Silent-block | 1 | |
| 13 | | Bush | 2 | |
| 14 | | screw | 3 | |
| 15 | | Nut | 3 | |
| 16 | | Spring | 1 | |
| 17 | | Pin | 1 | |
| 18 | | Hex socket screw M6x20 | 1 | |
| 19 | | Spring washer 6,4x11x0,5 | 1 | |
| 20 | | Flat washer 16x6,5x1,5 | 1 | |

| | |
|--------------------|--|
| Group | Suspensions - Wheels |
| Code | 04.02 |
| Description | Fork/steering tube - Steering bearing unit |
| Service | 1 |



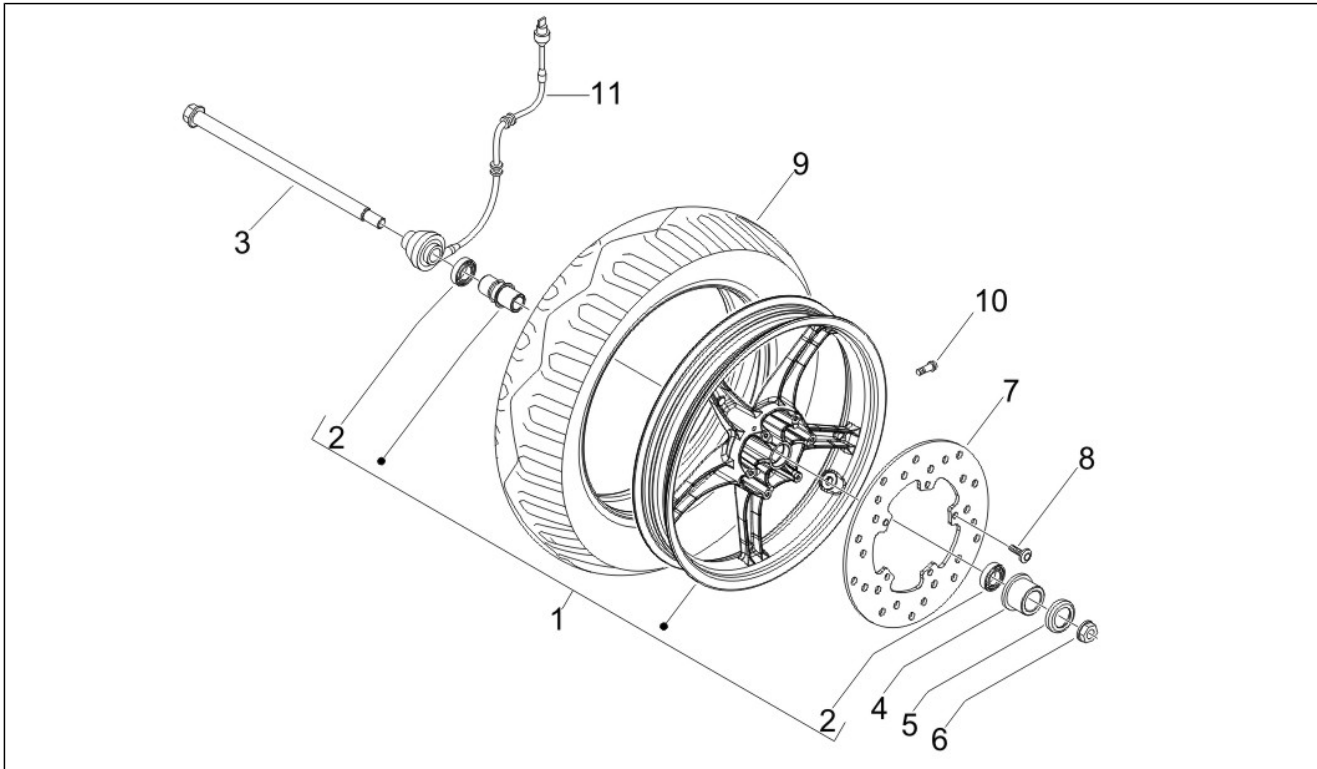
| Pos. | Code | Description | Qty | Variants |
|------|------|---------------------------|-----|----------|
| 1 | | Front fork assembly | 1 | |
| 2 | | R.H. sleeve assy Wuxi top | 1 | |
| 2 | | RH slider | 1 | |
| 3 | | LH slider | 1 | |
| 3 | | L.H. sleeve assy Wuxi top | 1 | |
| 4 | | Fork stanchion | 2 | |
| 5 | | screw | 2 | |
| 6 | | Fork piston (ESCORTS) | 2 | |
| 7 | | Oil seal | 2 | |
| 7 | | Fork oil seal | 2 | |
| 8 | | Dust cover | 2 | |
| 8 | | Dust cover Wuxi top | 2 | |
| 9 | | Screw w/ flange | 4 | |
| 9 | | Screw w/ flange Wuxi top | 4 | |
| 10 | | Lower steering bearing | 1 | |
| 10 | | Lower steering bearing | 1 | |
| 11 | | Upper thrust ring | 1 | |
| 11 | | Upper thrust ring | 1 | |
| 12 | | Steering tube ring nut | 1 | |
| 13 | | Washer of the steering | 1 | |
| 14 | | Cover | 2 | |

| | |
|--------------------|------------------------------------|
| Group | Suspensions - Wheels |
| Code | 04.10 |
| Description | Rear suspension - Shock absorber/s |
| Service | 1 |



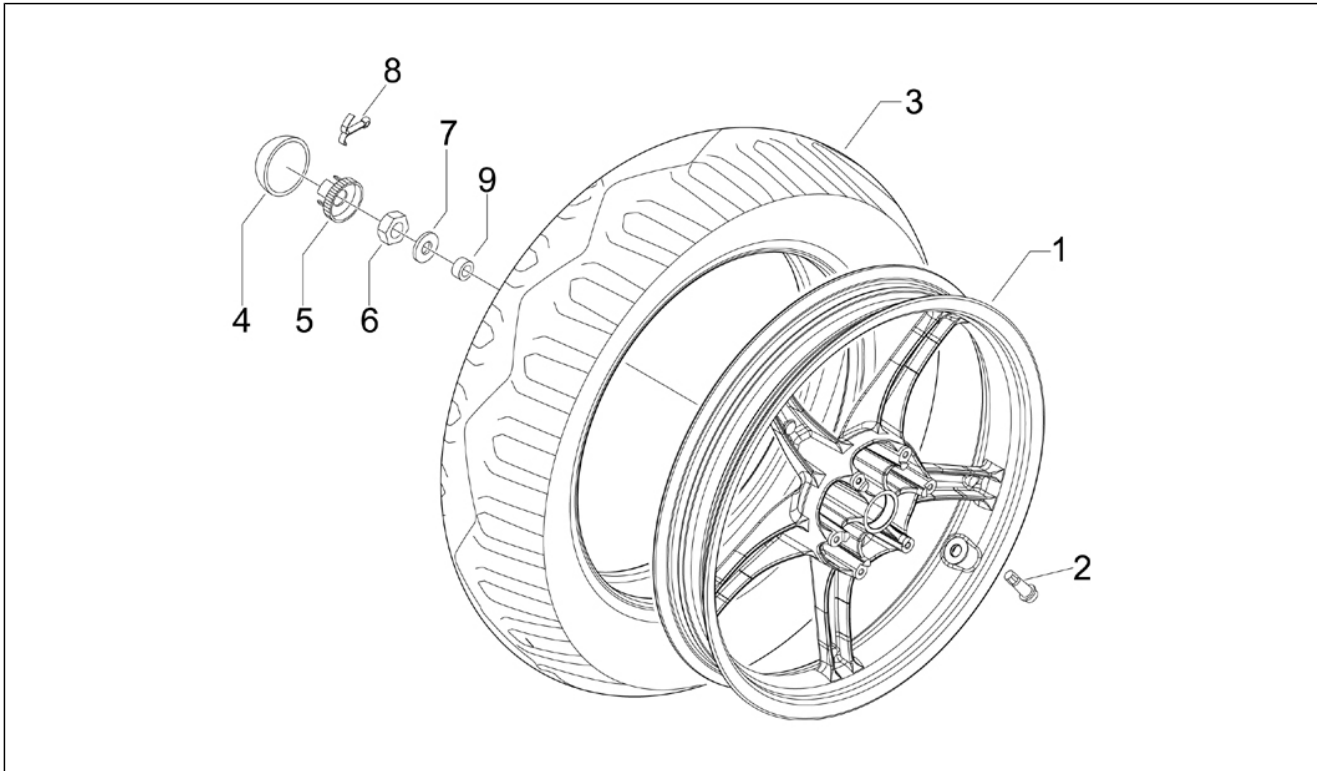
| Pos. | Code | Description | Qty | Variants |
|------|------|------------------------------|-----|----------|
| 1 | | Rear shock absorber | 1 | |
| 2 | | Lower buffer | 1 | |
| 3 | | Flat washer | 1 | |
| 4 | | Upper buffer | 1 | |
| 5 | | Spring washer 13,75x8,15x4,5 | 1 | |
| 6 | | Nut M8 | 1 | |
| 7 | | Screw w/ flange M10 | 1 | |
| 8 | | Self locking nut M10 | 1 | |
| 8 | | Nut M8 | 2 | |
| 8 | | Self locking nut M10 | 1 | |
| 9 | | Bracket | 1 | |
| 10 | | Hex socket screw M8x50 | 2 | |
| 11 | | Nut M8 | 2 | |

| | |
|--------------------|----------------------|
| Group | Suspensions - Wheels |
| Code | 04.11 |
| Description | Front wheel |
| Service | 1 |



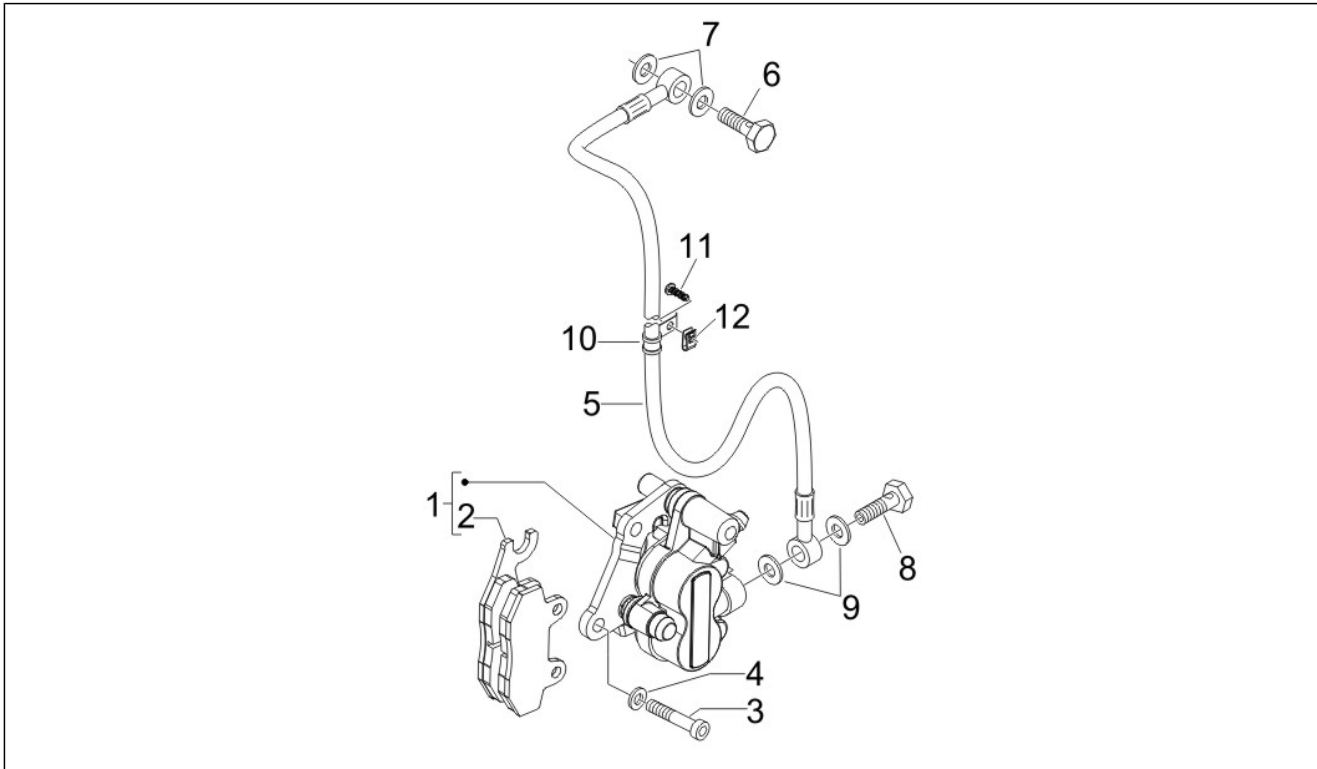
| Pos. | Code | Description | Qty | Variants |
|------|------|---------------------------|-----|----------|
| 1 | | | 1 | |
| 2 | | Bearing | 2 | |
| 3 | | Front wheel axle | 1 | |
| 4 | | Front wheel spacer | 1 | |
| 5 | | Cup | 1 | |
| 6 | | Nut M12 | 1 | |
| 7 | | Brake disc | 1 | |
| 8 | | Screw | 5 | |
| 9 | | Tyre (Sava) 120/70-12" | 1 | |
| 9 | | Tyre (Pirelli) 120/70-12" | 1 | |
| 10 | | Tubeless tyre valve | 1 | |
| 11 | | Spedometer socket | 1 | |

| | |
|--------------------|----------------------|
| Group | Suspensions - Wheels |
| Code | 04.12 |
| Description | Rear wheel |
| Service | 1 |



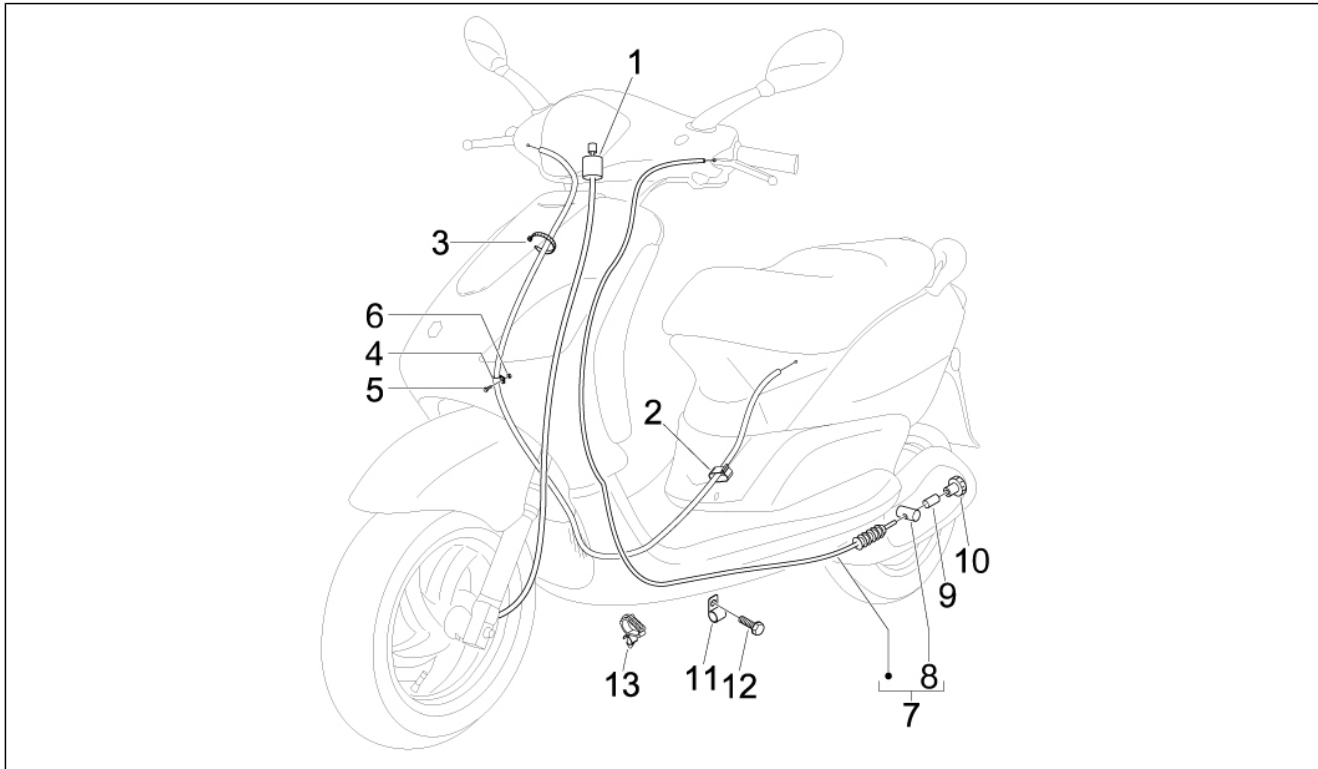
| Pos. | Code | Description | Qty | Variants |
|------|------|---------------------------|-----|----------|
| 1 | | Rear wheel Wanfeng | 1 | |
| 2 | | Tubeless tyre valve | 1 | |
| 3 | | Tyre (Sava) 120/70-12" | 1 | |
| 3 | | Tyre (Pirelli) 120/70-12" | 1 | |
| 4 | | Axle plug | 1 | |
| 5 | | Nut hold cap | 1 | |
| 6 | | Nut M16x13 | 1 | |
| 7 | | Plain washer 34,8x16,2x3 | 1 | |
| 8 | | Split pin | 1 | |
| 9 | | Spacer | 1 | |

| | |
|--------------------|--------------------------------|
| Group | Braking system - Transmissions |
| Code | 05.01 |
| Description | Brakes pipes - Calipers |
| Service | 1 |



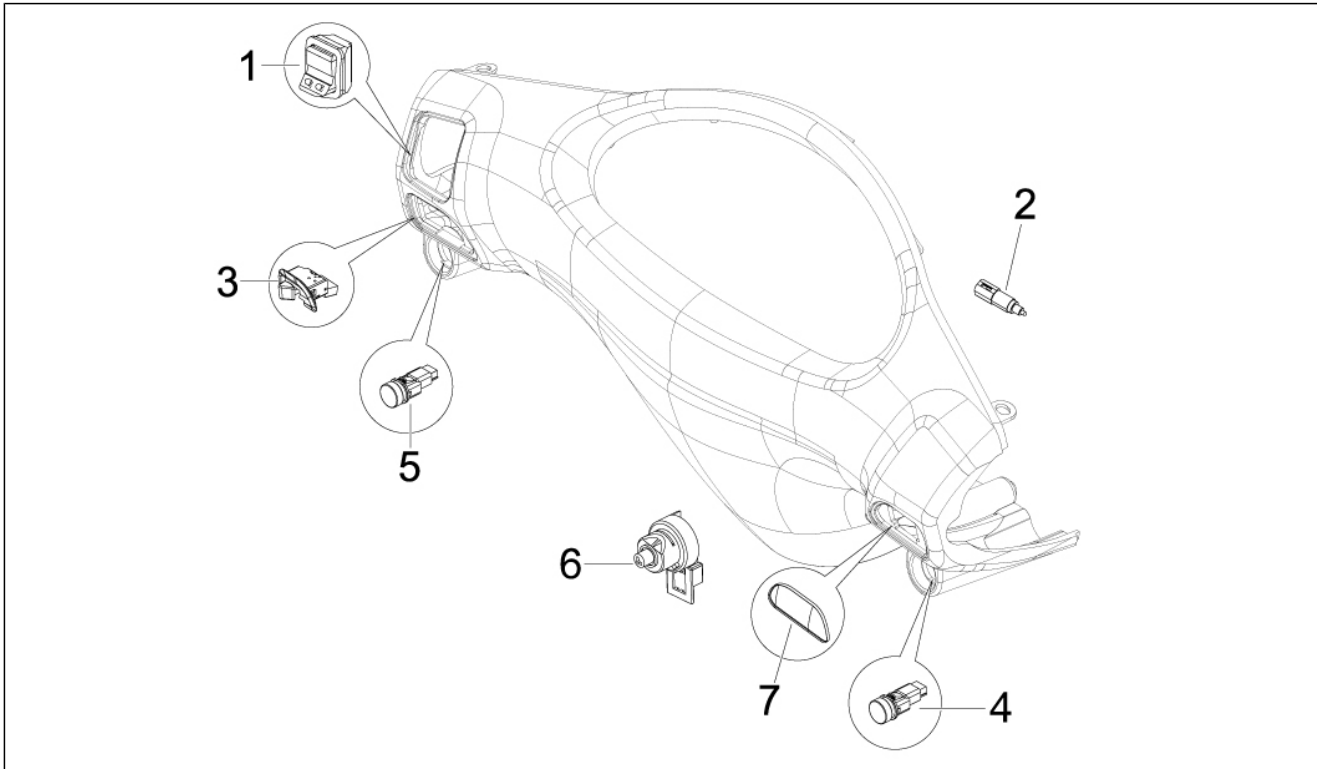
| Pos. | Code | Description | Qty | Variants |
|------|------|-------------------------------|-----|----------|
| 1 | | Front brake caliper Heng Tong | 1 | |
| 2 | | Brake pads couple Heng Tong | 1 | |
| 3 | | screw | 2 | |
| 4 | | Spring washer | 2 | |
| 5 | | Piping | 1 | |
| 6 | | Oil pipe screw M10x18 | 1 | |
| 6 | | Oil pipe screw M10x18 | 1 | |
| 7 | | Gasket | 2 | |
| 8 | | Oil pipe screw M10x18 | 1 | |
| 8 | | Oil pipe screw M10x18 | 1 | |
| 9 | | Gasket | 2 | |
| 10 | | Hose clamp | 1 | |
| 11 | | Self-tap screw | 1 | |
| 12 | | Spring plate | 1 | |

| | |
|--------------------|--------------------------------|
| Group | Braking system - Transmissions |
| Code | 05.03 |
| Description | Transmissions |
| Service | 1 |



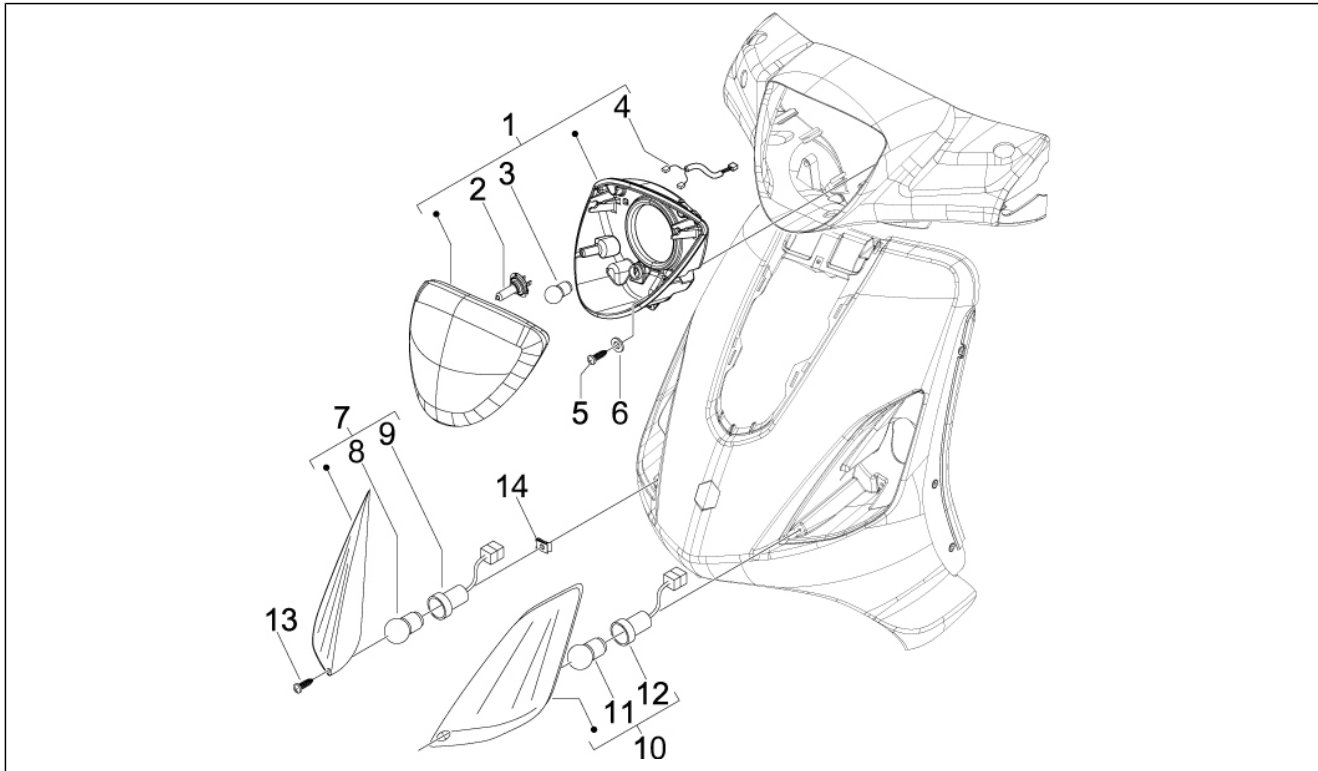
| Pos. | Code | Description | Qty | Variants |
|------|------|---------------------------|-----|----------|
| 1 | | Transmission | 1 | |
| 2 | | Elastic spring | 1 | |
| 3 | | Lock-strap L=277 | 2 | |
| 4 | | Hose clamp | 1 | |
| 5 | | Screw w/ flange M6x16 | 1 | |
| 6 | | Self locking nut M6 | 1 | |
| 7 | | Rear brake cable | 1 | |
| 8 | | Bush | 1 | |
| 9 | | Adjuster pin | 1 | |
| 10 | | Registro freno posteriore | 1 | |
| 11 | | Plate | 1 | |
| 12 | | Hex socket screw M6x20 | 1 | |
| 13 | | Hose clamp | 1 | |

| | |
|--------------------|--------------------------------|
| Group | Electrical system |
| Code | 06.01 |
| Description | Selectors - Switches - Buttons |
| Service | 1 |



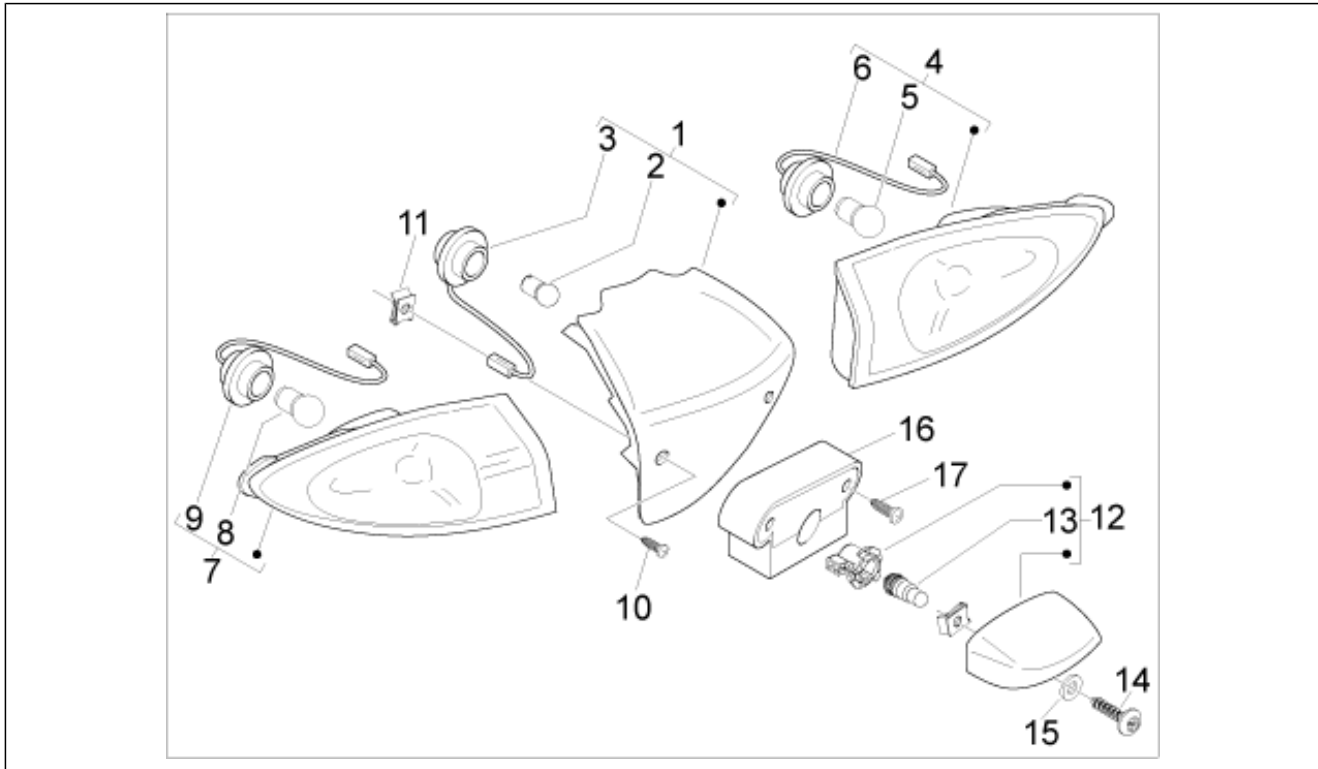
| Pos. | Code | Description | Qty | Variants |
|------|------|--------------------------|-----|----------|
| 1 | | Headlight selector | 1 | |
| 2 | | stop Button | 2 | |
| 3 | | Turn signal lamps switch | 1 | |
| 4 | | Start pushbutton | 1 | |
| 5 | | Horn button | 1 | |
| 6 | | Key switch | 1 | |
| 7 | | Light switch seat cover | 1 | |

| | |
|--------------------|-------------------------------------|
| Group | Electrical system |
| Code | 06.03 |
| Description | Front headlamps - Turn signal lamps |
| Service | 1 |



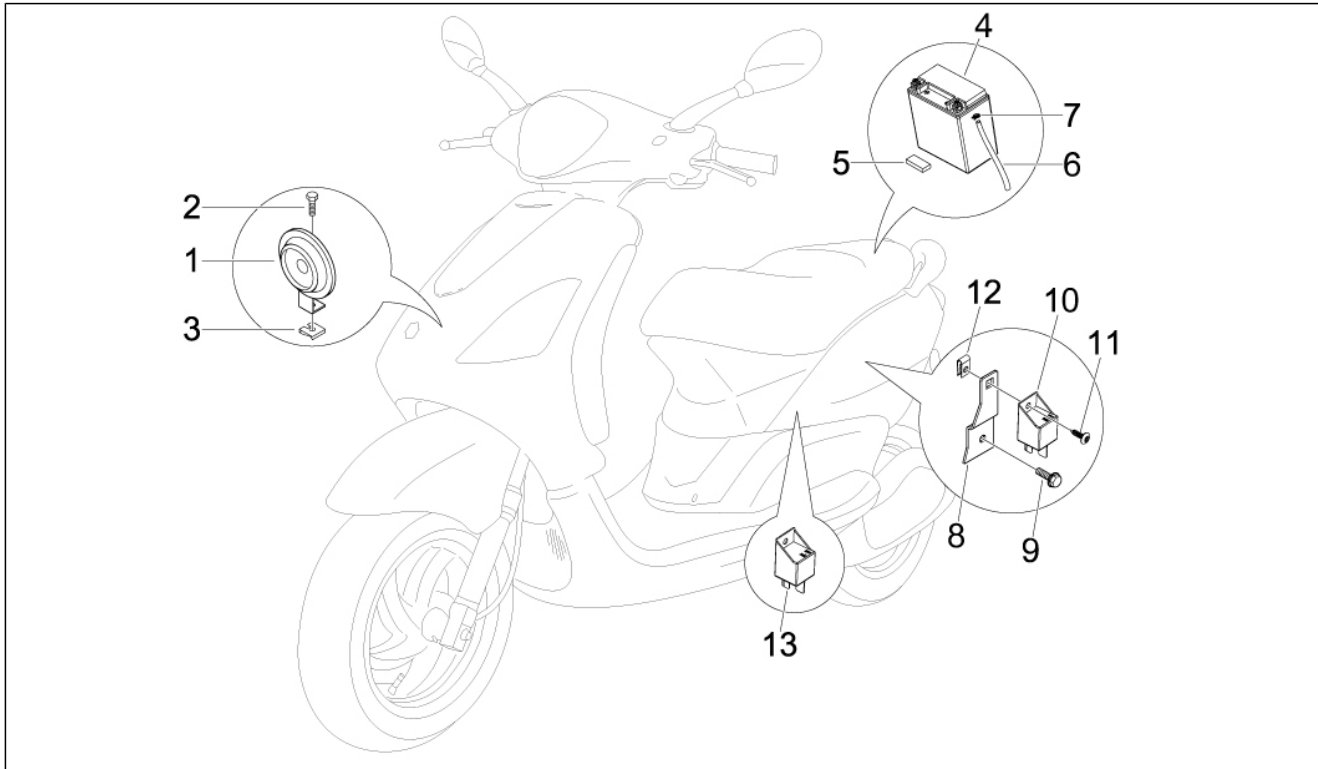
| Pos. | Code | Description | Qty | Variants |
|------|------|-------------------------|-----|----------|
| 1 | | Headlamp | 1 | |
| 2 | | Lamp 12V-35/35W | 1 | |
| 3 | | Lamp 12V-5W | 1 | |
| 4 | | Headlamp cable harness | 1 | |
| 4 | | Headlamp cable harness | 1 | |
| 5 | | screw | 4 | |
| 6 | | Washer 5.3x10x10 | 4 | |
| 7 | | RH front turn indicator | 1 | |
| 8 | | Lamp 12V-10W | 1 | |
| 9 | | Lampholder | 1 | |
| 10 | | LH front turn indicator | 1 | |
| 11 | | Lamp 12V-10W | 1 | |
| 12 | | Lampholder | 1 | |
| 13 | | Screw d3,5x13 | 2 | |
| 14 | | Spring plate | 2 | |

| | |
|--------------------|------------------------------------|
| Group | Electrical system |
| Code | 06.04 |
| Description | Rear headlamps - Turn signal lamps |
| Service | 1 |



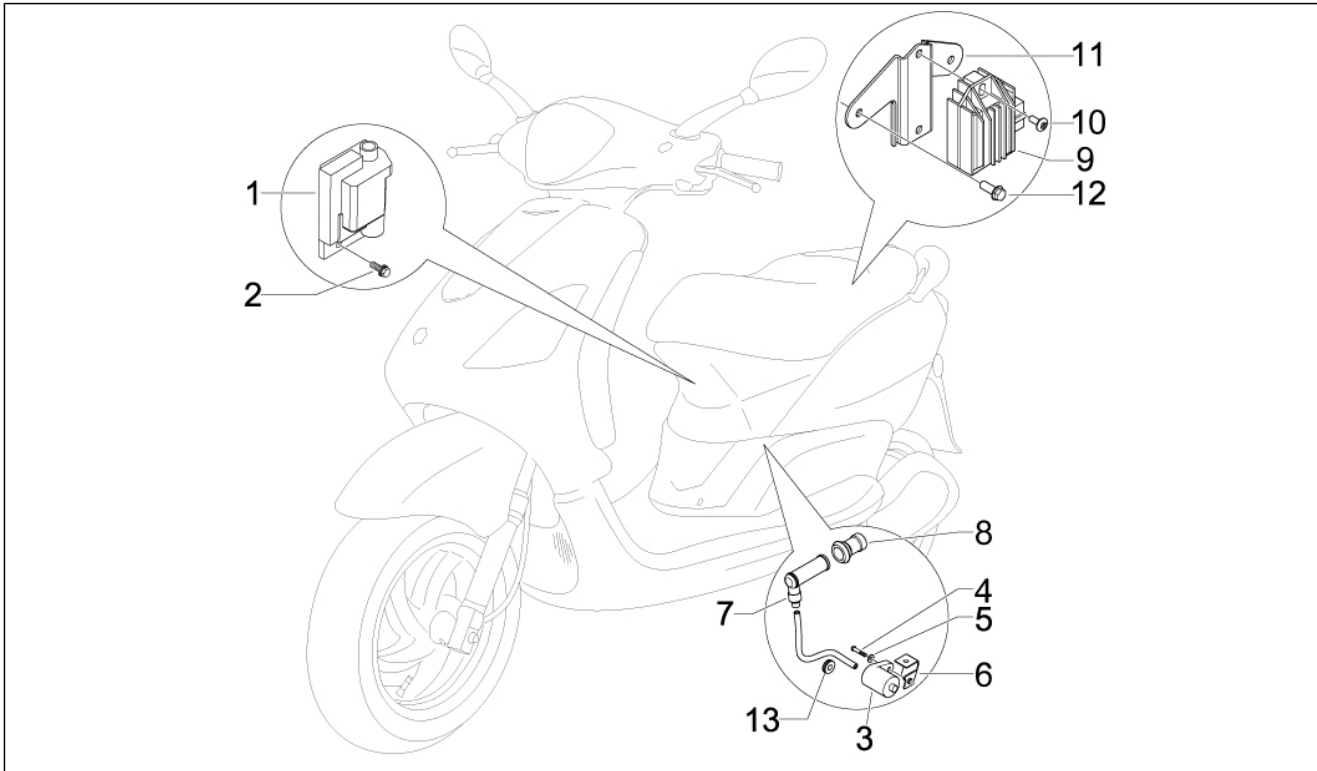
| Pos. | Code | Description | Qty | Variants |
|------|------|------------------------------------|-----|----------|
| 1 | | Rear light assembly (Bianco-White) | 1 | |
| 2 | | Lamp 12V-5/21W | 1 | |
| 3 | | Lampholder, complete | 1 | |
| 4 | | Rear RH turn indicator | 1 | |
| 5 | | Lamp 12V-10W | 1 | |
| 6 | | Lampholder | 1 | |
| 7 | | Rear LH turn indicator | 1 | |
| 8 | | Lamp 12V-10W | 1 | |
| 9 | | Lampholder | 1 | |
| 10 | | screw | 2 | |
| 11 | | Spring plate | 2 | |
| 12 | | Rear licence plate light | 1 | |
| 13 | | Lamp 12V-5W | 1 | |
| 14 | | Self tapping screw M4x16 | 1 | |
| 15 | | Washer 4,3x8x0,5 | 1 | |
| 16 | | Spacer for license plate lamp | 1 | |
| 17 | | Self tapping screw | 2 | |

| | |
|--------------------|--|
| Group | Electrical system |
| Code | 06.05 |
| Description | Remote control switches - Battery - Horn |
| Service | 1 |



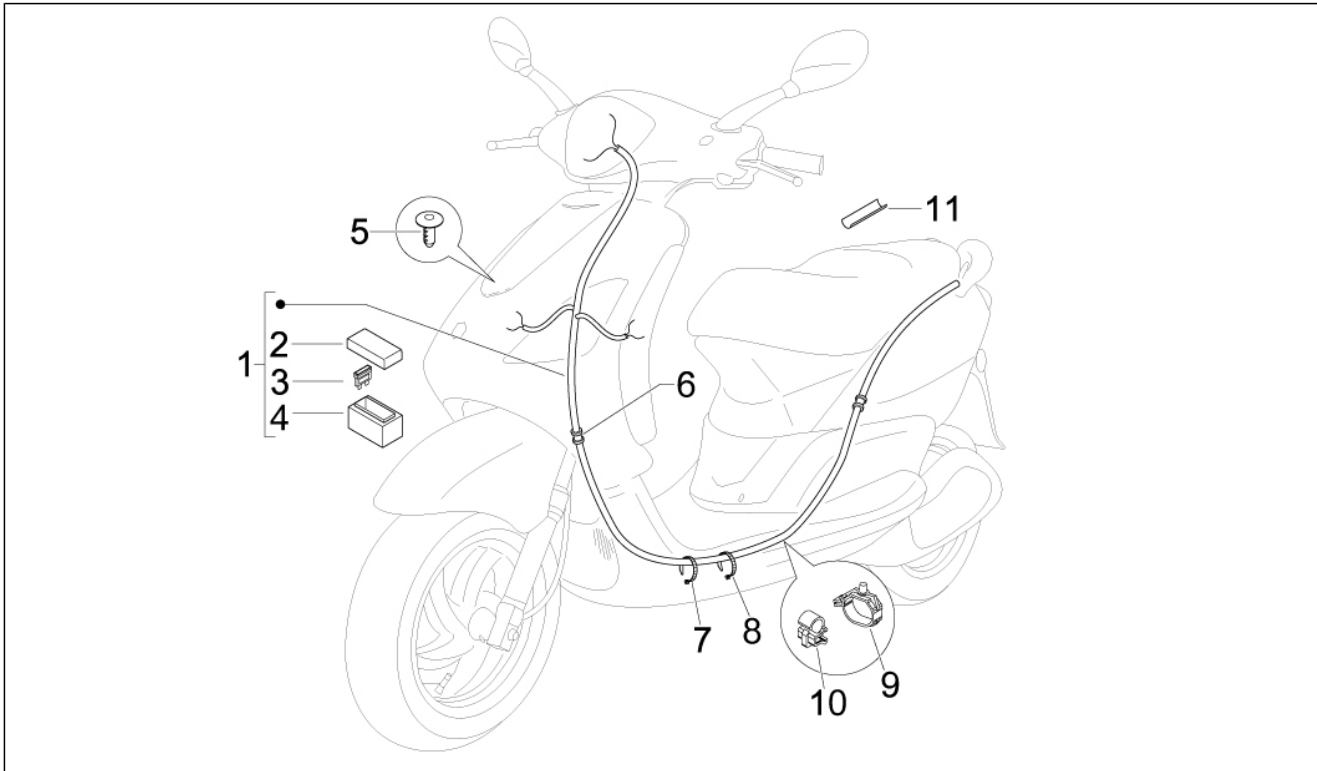
| Pos. | Code | Description | Qty | Variants |
|------|------|-----------------------------|-----|----------|
| 1 | | Horn | 1 | |
| 2 | | Screw w/ flange M6x16 | 1 | |
| 3 | | Spring plate M6 | 1 | |
| 4 | | Battery 12V-9Ah | 1 | |
| 5 | | Stop buffer | 1 | |
| 6 | | Breather pipe | 1 | |
| 7 | | Hose clamp | 1 | |
| 8 | | Solenoid bracket | 1 | |
| 9 | | Screw w/ flange M6x10 | 1 | |
| 10 | | Starter relay 12V-80A | 1 | |
| 11 | | Self-tap screw | 1 | |
| 12 | | Spring plate | 1 | |
| 13 | | Rem. control switch 12V-30A | 1 | |

| | |
|--------------------|---|
| Group | Electrical system |
| Code | 06.06 |
| Description | Voltage Regulators - Electronic Control Units (ecu) - H.T. Coil |
| Service | 1 |



| Pos. | Code | Description | Qty | Variants |
|------|------|--------------------------|-----|----------|
| 1 | | Electronic ignition unit | 1 | |
| 2 | | Screw w/ flange M6x16 | 2 | |
| 3 | | Coil | 1 | |
| 4 | | screw M5x21 | 1 | |
| 5 | | Washer | 1 | |
| 6 | | Bracket | 1 | |
| 7 | | Screened cap | 1 | |
| 8 | | Protection collar | 1 | |
| 9 | | Voltage regulator | 1 | |
| 10 | | Hex screw M6x20 | 2 | |
| 11 | | Bracket | 1 | |
| 12 | | Screw w/ flange M6x10 | 2 | |
| 13 | | Fairlead | 1 | |

| | |
|--------------------|--------------------|
| Group | Electrical system |
| Code | 06.08 |
| Description | Main cable harness |
| Service | 1 |



| Pos. | Code | Description | Qty | Variants |
|------|------|------------------------------|-----|----------|
| 1 | | Frame harness | 1 | |
| 2 | | Cover | 1 | |
| 3 | | Fuse 7,5A | 4 | |
| 3 | | Fuse 15A | 1 | |
| 4 | | Fuse holder | 1 | |
| 5 | | Ambient temperature sensor | 1 | |
| 6 | | Fairlead | 1 | |
| 7 | | Lock-strap L=277 | 7 | |
| 8 | | Lock-strap L=180mm | 8 | |
| 9 | | Non return spring L=12 | 1 | |
| 10 | | Pipes/cables retainer spring | 1 | |
| 11 | | Gasket | 1 | |