



PIAGGIO®

SPARE PARTS CATALOGUE



Fly 150 4T 3V ie 2015 - 2018 (APAC)

Chassis prefix: RP8M77610, RP8M7920

Engine prefix: M770M

Index

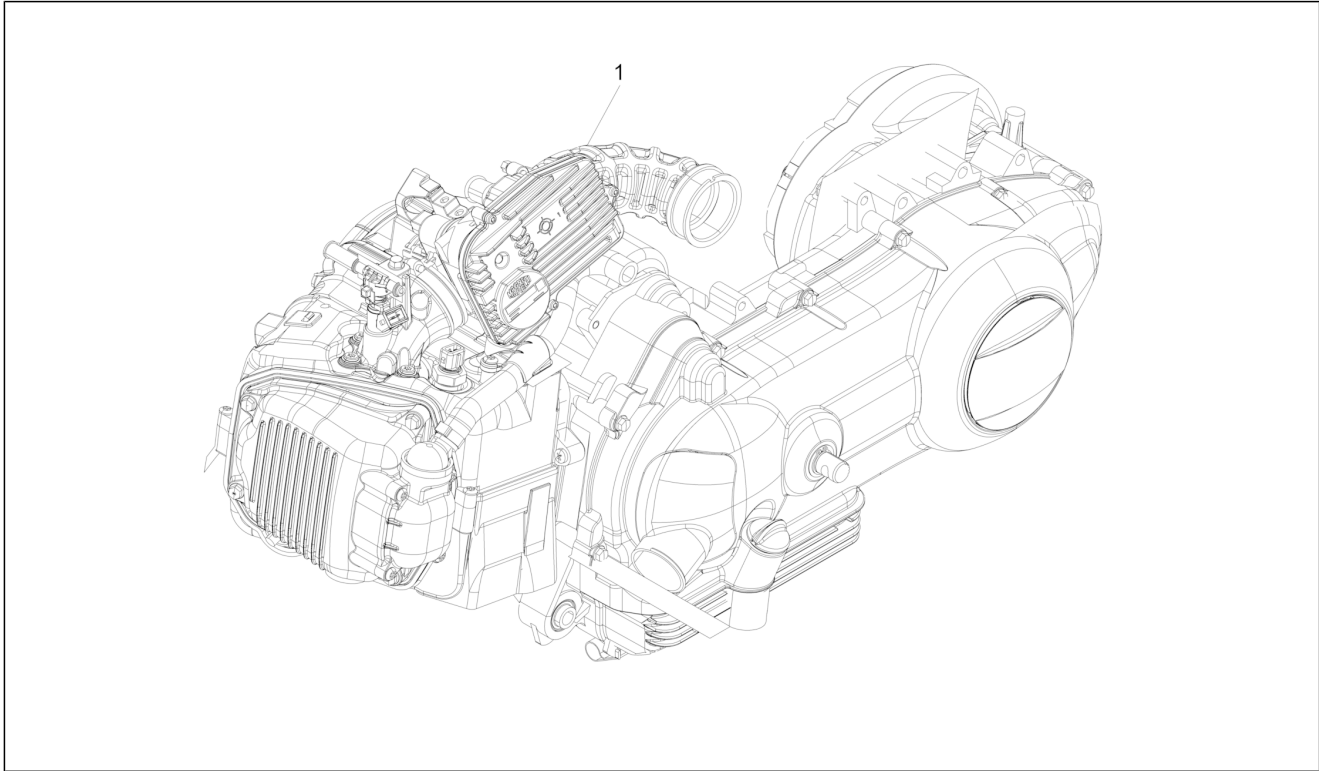
Finished products.....	4
Alphanumeric index.....	5
Engine.....	10
Table 01.02 - Engine, assembly.....	10
Table 01.05 - Crankcase.....	11
Table 01.06 - Crankshaft.....	12
Table 01.07 - Cylinder-piston-wrist pin unit.....	13
Table 01.10 - Head unit - Valve.....	14
Table 01.11 - Rocking levers support unit.....	15
Table 01.12 - Cylinder head cover.....	16
Table 01.13 - Driving pulley.....	18
Table 01.14 - Driven pulley.....	19
Table 01.15 - Crankcase cover - Crankcase cooling.....	20
Table 01.18 - Oil pump.....	21
Table 01.20 - Stater - Electric starter.....	22
Table 01.21 - Flywheel magneto.....	23
Table 01.23 - Flywheel magneto cover - Oil filter.....	24
Table 01.25 - Reduction unit.....	25
Table 01.35 - Rear brake - Brake jaw.....	26
Table 01.36 - Throttle body - Injector - Induction joint.....	27
Table 01.42 - Silencer.....	28
Table 01.45 - Air filter.....	29
Frame - Plastic parts - Coachwork.....	30
Table 02.01 - Frame/bodywork.....	30
Table 02.25 - Stand/s.....	31
Table 02.26 - Front shield.....	32
Table 02.30 - Front glove-box - Knee-guard panel.....	35
Table 02.31 - Central cover - Footrests.....	39
Table 02.32 - Side cover - Spoiler.....	44
Table 02.33 - Wheel huosing - Mudguard.....	50
Table 02.34 - Helmet huosing - Undersaddle.....	51
Table 02.37 - Rear cover - Splash guard.....	52
Table 02.38 - Plates - Emblems.....	55
Table 02.39 - Saddle/seats.....	56
Table 02.45 - Driving mirror/s.....	58
Table 02.46 - Locks.....	59
Table 02.47 - Fuel tank.....	60
Table 02.53 - Supply system.....	61
Table 02.61 - Anti-percolation system.....	62
Handlebars/Steering.....	63
Table 03.01 - Handlebars coverages.....	63
Table 03.02 - Meter combination - Cruscotto.....	65
Table 03.06 - Handlebars - Master cil.....	66

Suspensions - Wheels.....	67
Table 04.01 - Swinging arm.....	67
Table 04.02 - Fork/steering tube - Steering bearing unit.....	68
Table 04.10 - Rear suspension - Shock absorber/s.....	69
Table 04.11 - Front wheel.....	70
Table 04.12 - Rear wheel.....	71
Braking system - Transmissions.....	72
Table 05.01 - Brakes pipes - Calipers.....	72
Table 05.03 - Transmissions.....	73
Electrical system.....	74
Table 06.01 - Selectors - Switches - Buttons.....	74
Table 06.03 - Front headlamps - Turn signal lamps.....	75
Table 06.04 - Rear headlamps - Turn signal lamps.....	76
Table 06.05 - Remote control switches - Battery - Horn.....	77
Table 06.06 - Voltage Regulators - Electronic Control Units (ecu) - H.T. Coil.....	78
Table 06.08 - Main cable harness.....	79

Finished products

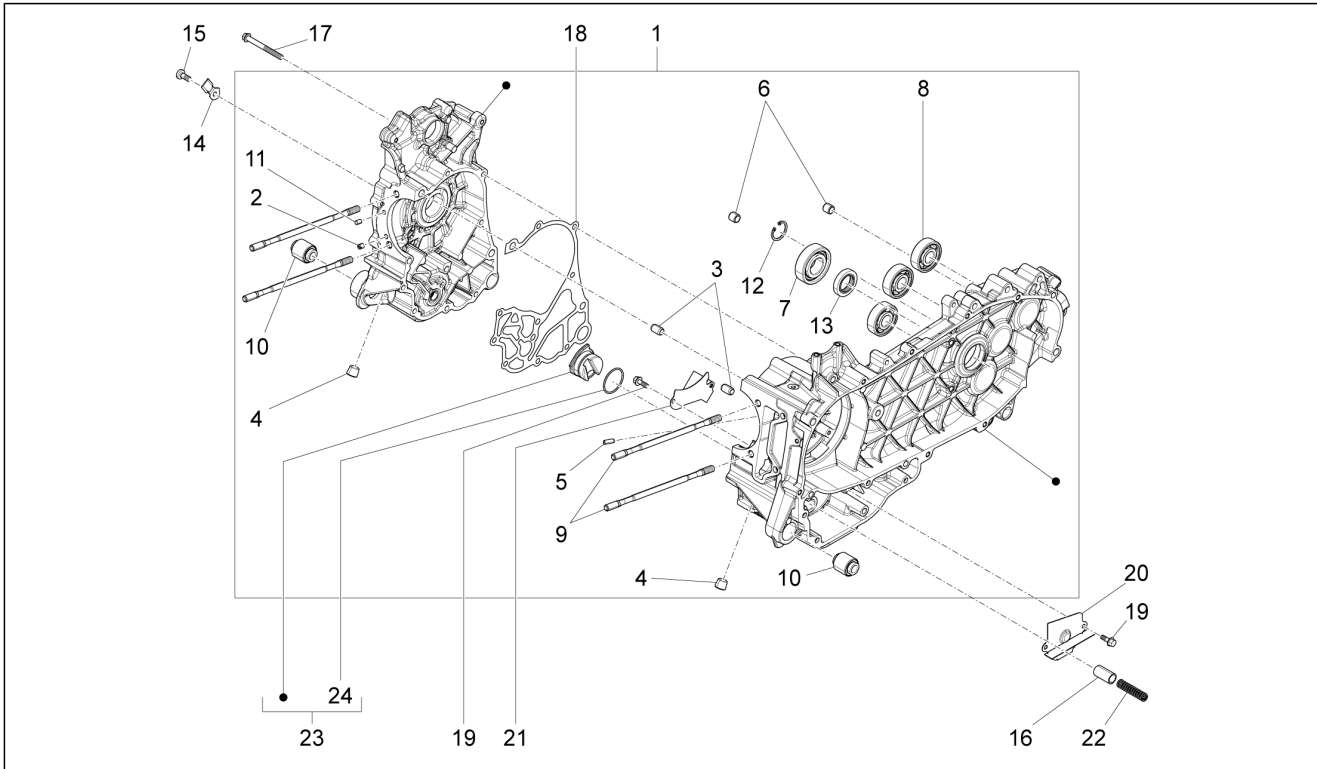
Code	Validity
ESENB2AU1	Colour: White[566] Country: Australia[AU]
ESENB2CN2	Colour: White[566] Country: China[CN]
ESENDE2AU1	Colour: Blue[222/A] Country: Australia[AU]
ESENDE2CN2	Colour: Blue[222/A] Country: China[CN]
ESENHI1AU1	Country: Australia[AU] Colour: Titanium grey[798/B]
ESENNDNAU1	Colour: BLACK[79/A] Country: Australia[AU]
ESENNDNCN2	Colour: BLACK[79/A] Country: China[CN]
ESEN7NAU1	Colour: Dragon Red 894[894] Country: Australia[AU]
ESEN7NCN2	Colour: Dragon Red 894[894] Country: China[CN]

Group	Engine
Code	01.02
Description	Engine, assembly
Service	1



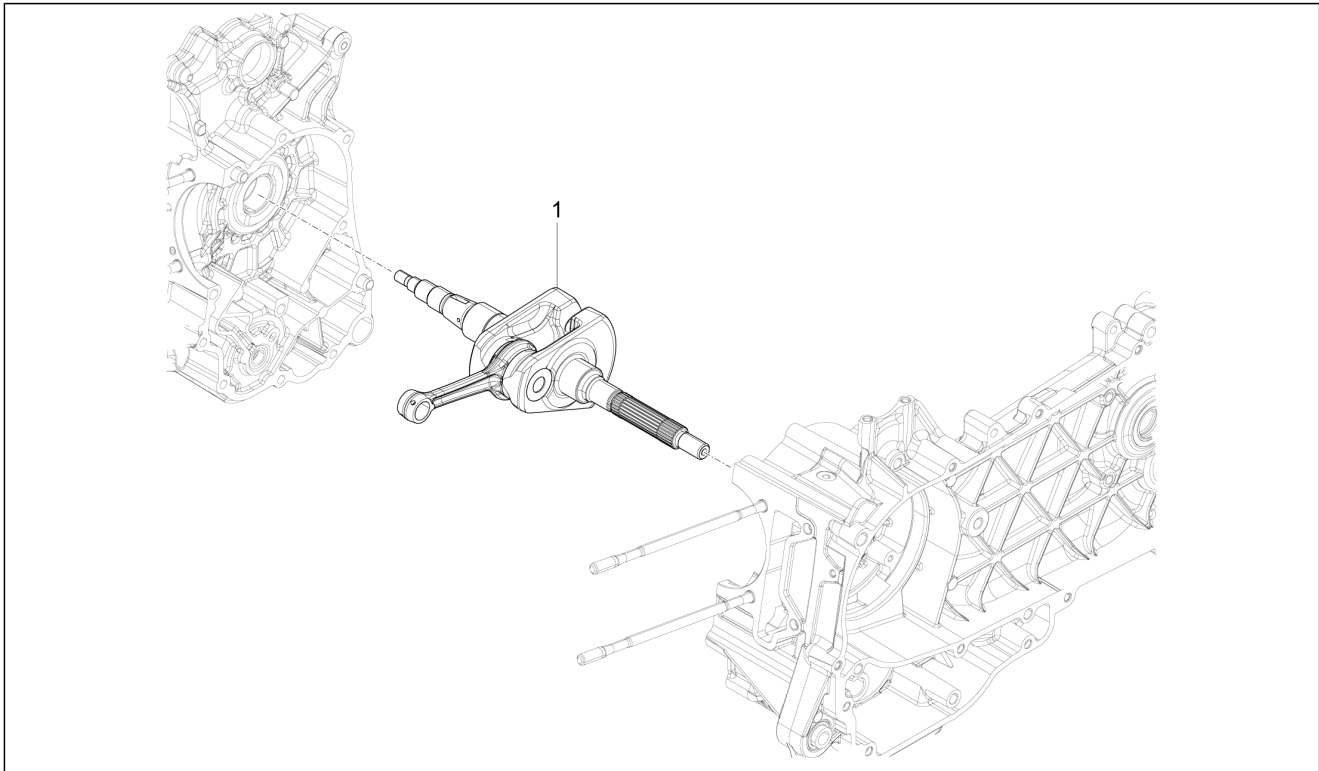
Pos.	Code	Description	Qty	Variants
1		Engine 150 4T E3	1	Country:China[CN]
1		Engine 150 4T E3	1	Country:Australia[AU]

Group	Engine
Code	01.05
Description	Crankcase
Service	1



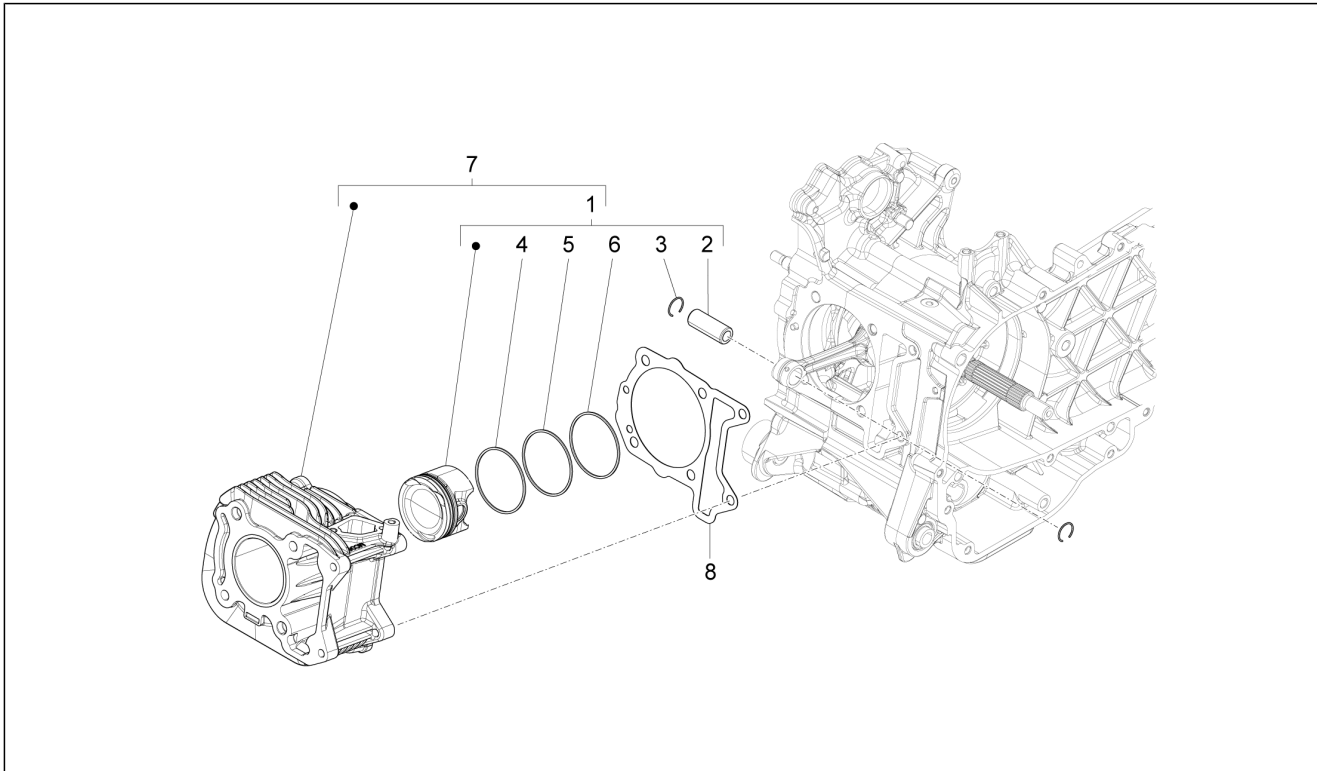
Pos.	Code	Description	Qty	Variants
1		Complete crankcase 1st cat.	1	
1		2nd cat. complete crankcase	1	
2		Nozzle	1	
3		Pin d.9,5 h=15	2	
4		Plug M12x1,5x11	2	
5		Calibrated nozzle	1	
6		Locating dowel	2	
7		Radial bearing 20x50x14	1	
8		Radial bearing 15x42x13	2	
9		Stud bolt	1	
9		Stud bolt	4	
10		Silent-block	2	
10		Silent-block	2	
11		Locating dowel	1	
12		Circlip 25x26,9x1,2	1	
13		Gasket ring 22x35x7	1	
14		Ring container lamination	1	
15		Screw M5x10	1	
16		Oil pressure adjusting valve	1	
17		Screw w/ flange M6x60	8	
18		Half crankcase gasket	1	
19		Screw w/ flange M5x16	4	
20		Oil bulhead	1	
21		Upper oil bulkhead	1	
22		Valve spring	1	
23		Filter door insert	1	
24		Gasket	1	

Group	Engine
Code	01.06
Description	Crankshaft
Service	1



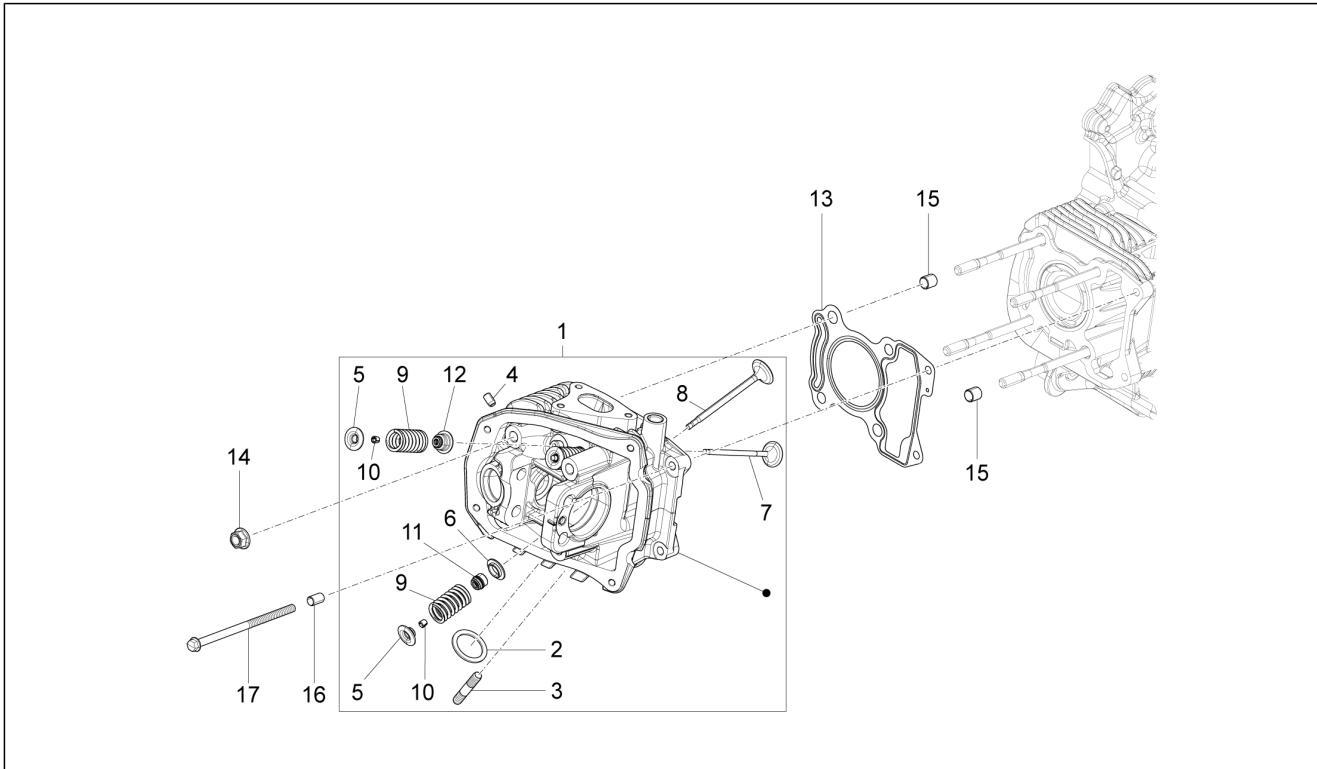
Pos.	Code	Description	Qty	Variants
1		Crankshaft, assy. class 1	1	
1		Crankshaft, assy. class 2	1	

Group	Engine
Code	01.07
Description	Cylinder-piston-wrist pin unit
Service	1



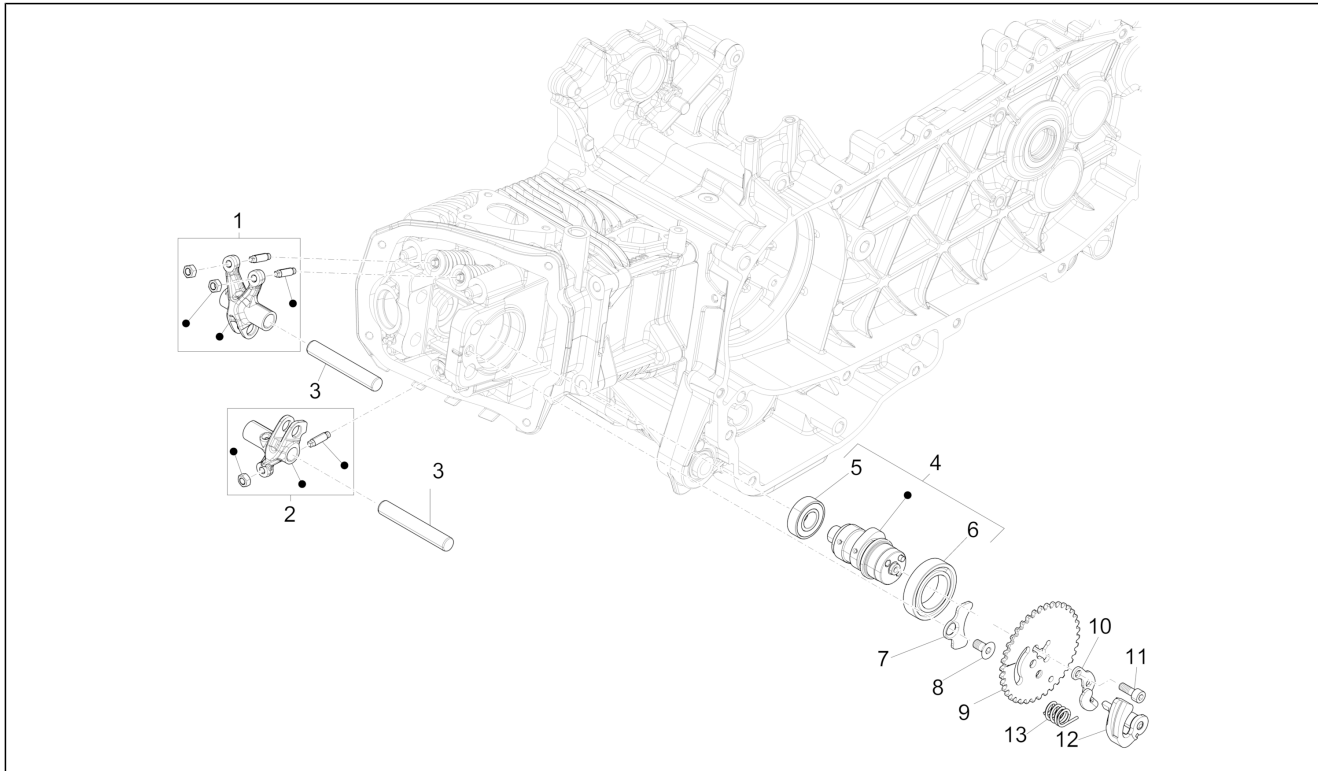
Pos.	Code	Description	Qty	Variants
1		Complete piston cat.D	1	
1		Complete piston cat.C	1	
1		Complete piston cat.B	1	
1		Complete piston cat.A	1	
2		Piston pin	1	
2		Piston pin	1	
3		Circlip	2	
4		Compression ring 1° cava	1	
5		Compression ring 2° cava	1	
6		Compression ring 3° cava	1	
7		Cylinder - piston - pin - parts- rings assembly	1	
8		Crankcase/cylinder gasket 0,6 mm	1	
8		Crankcase/cylinder gasket 0,4 mm	1	
8		Crankcase/cylinder gasket 0,8 mm	1	

Group	Engine
Code	01.10
Description	Head unit - Valve
Service	1



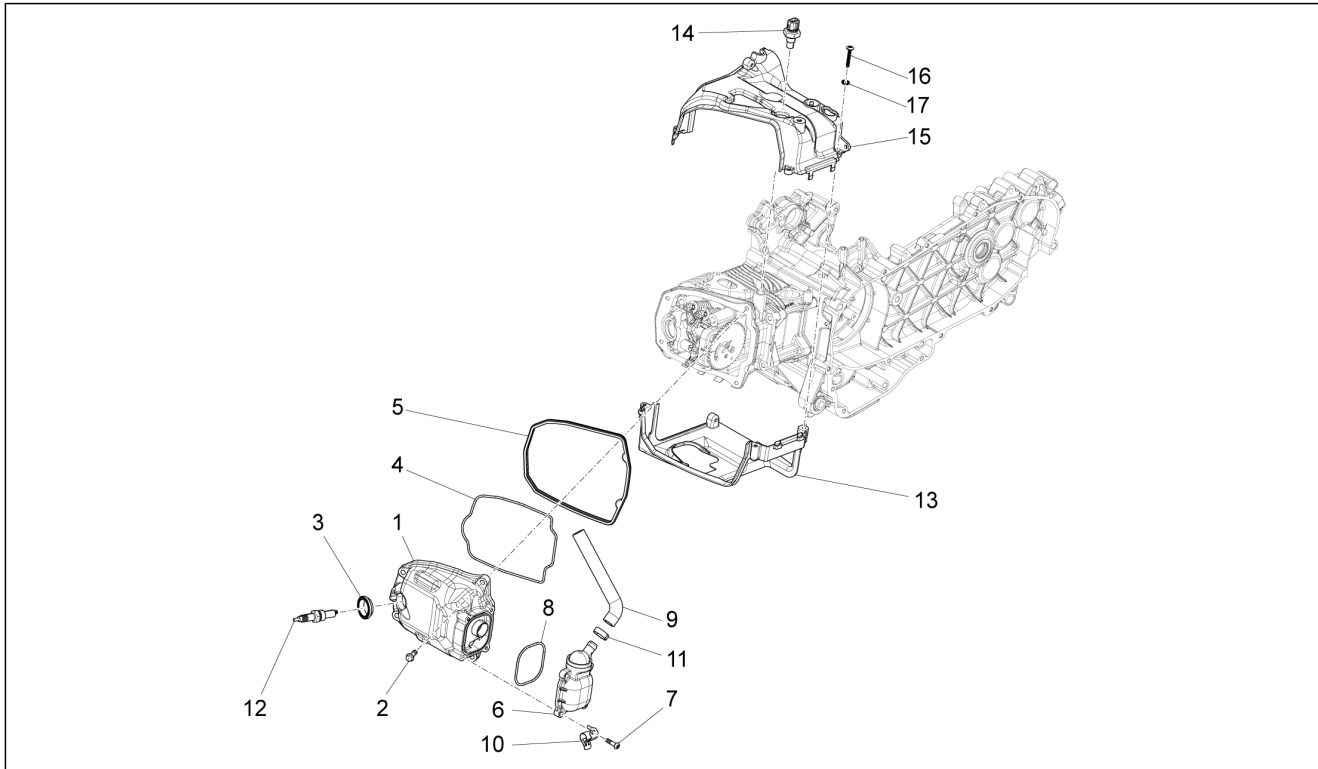
Pos.	Code	Description	Qty	Variants
1		Cylinder head assembly	1	
2		Big end-silencer gasket	1	
3		Stud bolt M7	2	
4		Plug M6x10	1	
5		Upper cap	3	
6		Lower cap	1	
7		Valve, in Ø 20	2	
8		Exhaust valve Ø22	1	
9		Ext. valve spring	3	
10		Half-cone	6	
11		Valve gasket ring	1	
12		Valve gasket ring	2	
13		Cylinder head gasket	1	
14		Nut M8x1,25	4	
15		Locating dowel	2	
16		Locating dowel Ø7,5x12	2	
17		screw M6x112,5	2	

Group	Engine
Code	01.11
Description	Rocking levers support unit
Service	1



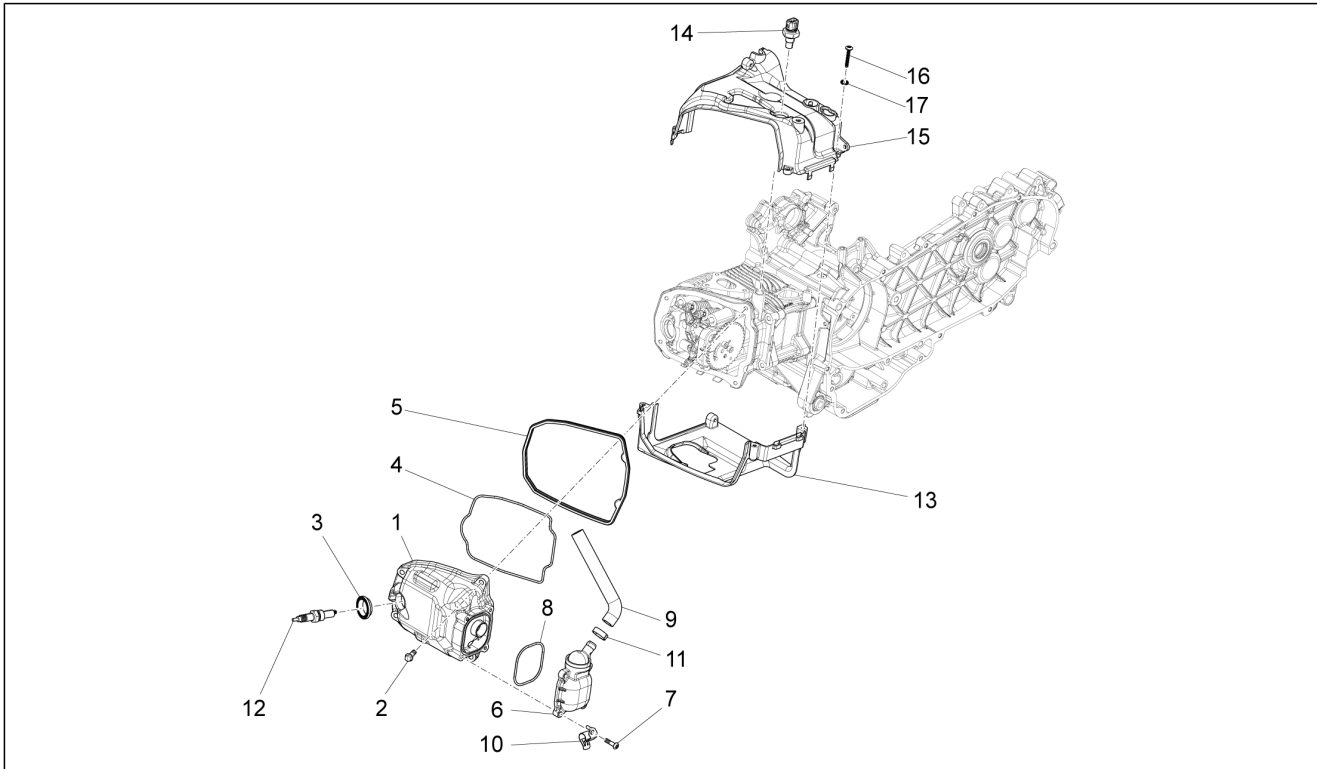
Pos.	Code	Description	Qty	Variants
1		Rocker arm inlet	1	
2		Rocker arm exhaust	1	
3		Rocker arms axis	2	
4		Camshaft cpl. "2"	1	
4		Camshaft cpl. "3"	1	
4		Camshaft cpl. "1"	1	
5		Radial bearing 12X28X8	1	
6		Radial bearing 25x42x9	1	
7		Camshaft plate	1	
8		Screw	1	
9		Timing system gear	1	
10		Decompressor plate	1	
11		Screw	2	
12		Decompression counterweight "3"	1	
12		Decompression counterweight "1"	1	
12		Decompression counterweight "2"	1	
12		Decompression counterweight	1	
13		Decompression spring	1	

Group	Engine
Code	01.12
Description	Cylinder head cover
Service	1



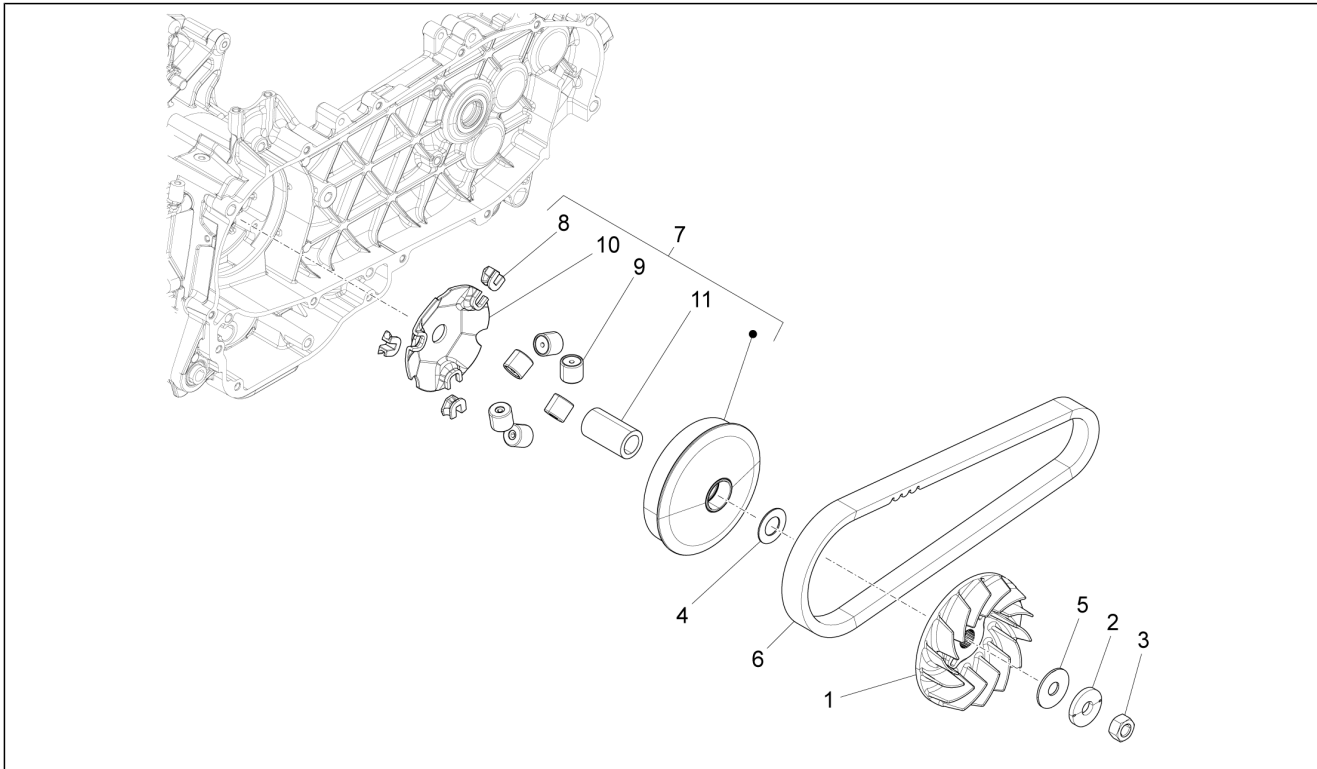
Pos.	Code	Description	Qty	Variants
1		Head cover	1	
2		Hex screw M6x20	4	
3		Spark plug hole gasket	1	
4		Big end cover gasket	1	
5		Big end/hood gasket	1	
6		Oil bleed cover	1	
7		Torx Screw M5x20	4	
8		Gasket	1	
9		Blow-by pipe	1	
10		Hose clamp	1	
10		Hose clamp	1	
11		Hose clamp	1	
12		Spark plug (NGK) CR8EB	1	
13		Exhaust side hood	1	
14		Temp. Sensor	1	
15		Intake side hood	1	Colour:Dragon Red 894[894] Country:Australia[AU] Colour:BLACK[79/A] Country:Australia[AU] Colour:Blue[222/A] Country:Australia[AU] Colour:White[566] Country:Australia[AU] Country:Australia[AU] Colour:Titanium grey[798/B]
15		Intake side hood	1	Colour:Dragon Red 894[894] Country:China[CN] Colour:BLACK[79/A] Country:China[CN] Colour:Blue[222/A] Country:China[CN] Colour:White[566]

Group	Engine
Code	01.12
Description	Cylinder head cover
Service	1



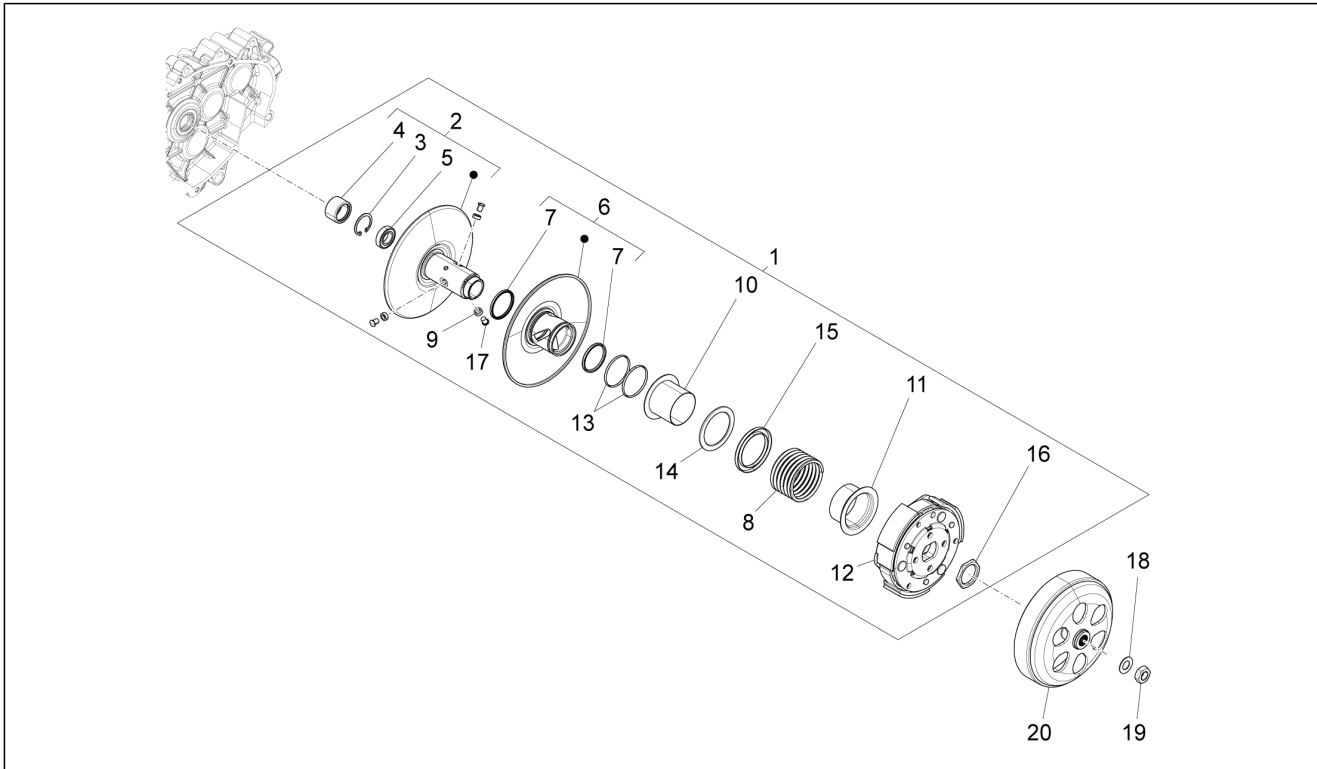
Pos.	Code	Description	Qty	Variants
15		Intake side hood	1	Country:China[CN] Colour:Dragon Red 894[894] Country:Australia[AU] Colour:BLACK[79/A] Country:Australia[AU] Colour:Blue[222/A] Country:Australia[AU] Colour:White[566] Country:Australia[AU]
16		screw	3	
17		Washer $\varnothing 5 \times \varnothing 12 \times 1.1$	3	

Group	Engine
Code	01.13
Description	Driving pulley
Service	1



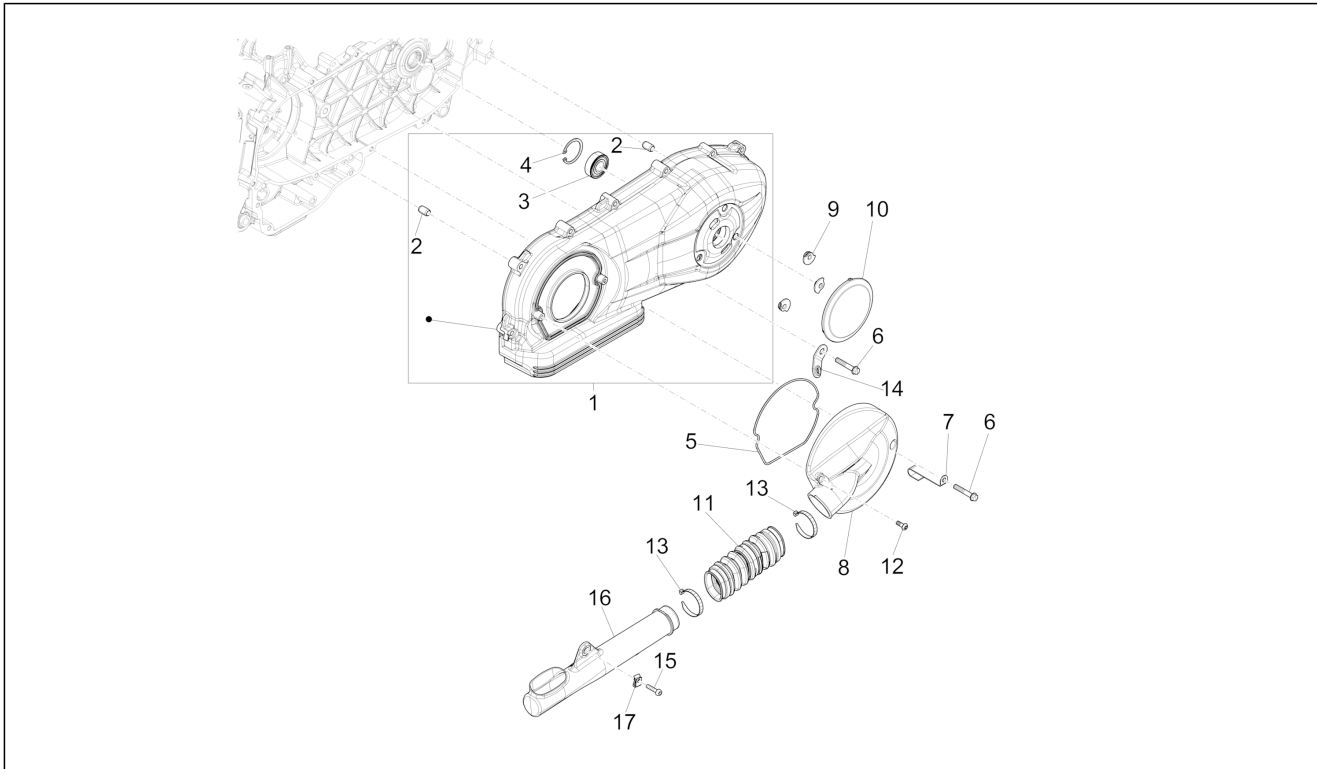
Pos.	Code	Description	Qty	Variants
1		Fixed driving half pulley	1	
2		Belleville spring	1	
3		Nut M16x1,25	1	
4		Flat washer 22x12,1x1	1	
5		Flat washer 15x8,4x1,5	1	
6		(Mitsuboshi) V-belt	1	
7		Complete roller housing	1	
8		Sliding block	3	
9		roller complete	6	
10		Roller contrast	1	
11		Spacer	1	

Group	Engine
Code	01.14
Description	Driven pulley
Service	1



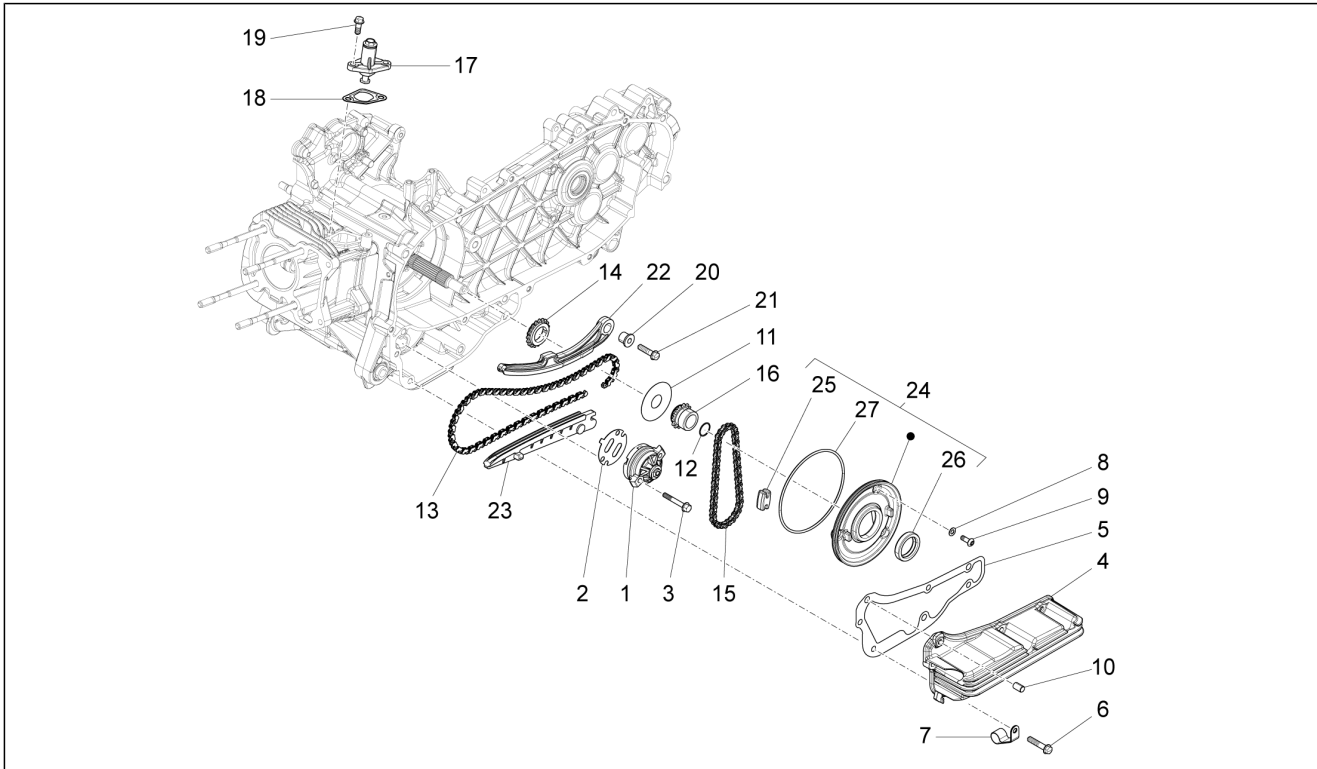
Pos.	Code	Description	Qty	Variants
1		Driven pulley complete with clutch	1	
2		Complete fixed driven half-pulley	1	
3		Snap ring	1	
4		Roller cage 22x29x18	1	
5		Ball bearing	1	
6		Complete movable half-driven pulley	1	
7		Gasket ring	2	
8		Variator spring	1	
9		Roller	3	
10		Pulley side cap	1	
11		Clutch side cap	1	
12		Complete centrifugal clutch assembly	1	
13		Gasket	2	
14		Sliding washer	1	
15		Spring seat	1	
16		Ring nut	1	
17		Pin	3	
18		Flat washer 22x12,1x1	1	
19		Nut	1	
20		Clutch drum	1	

Group	Engine
Code	01.15
Description	Crankcase cover - Crankcase cooling
Service	1



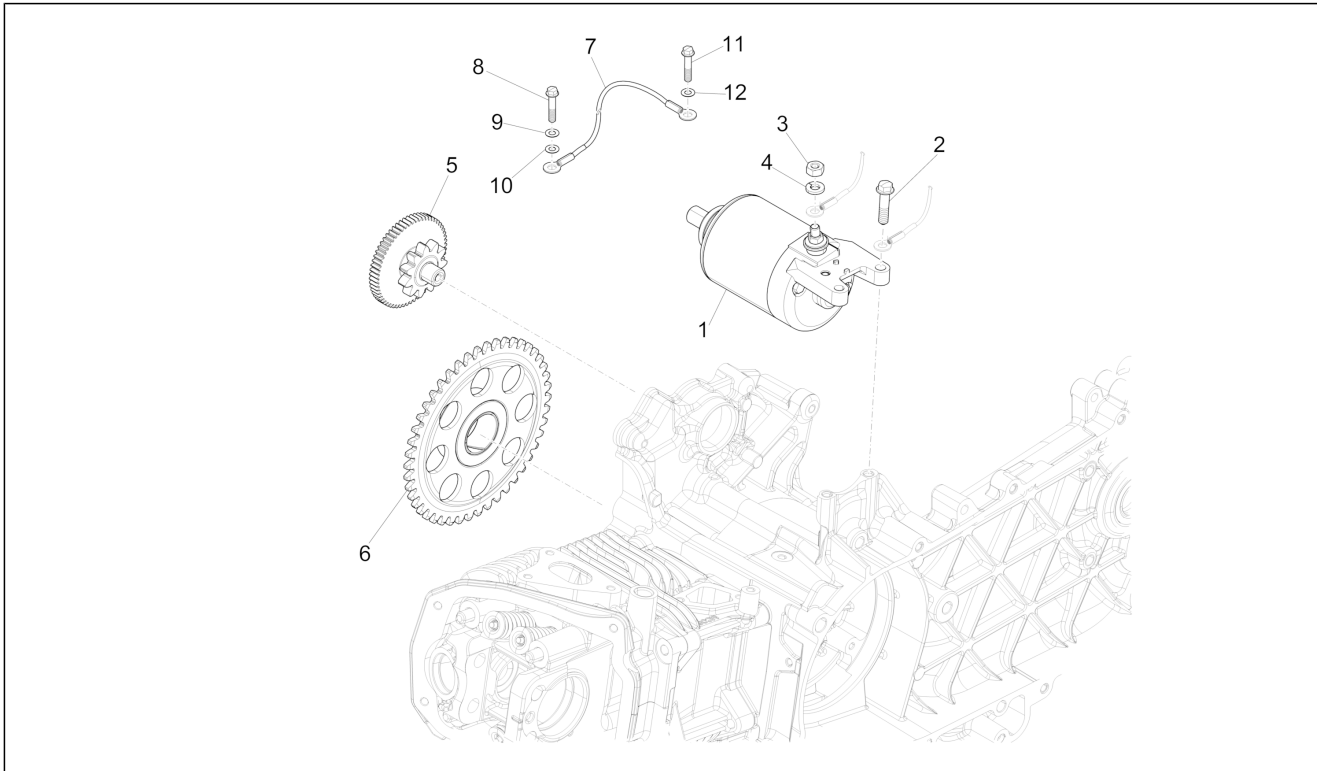
Pos.	Code	Description	Qty	Variants
1		Transmission cover cpl.	1	
2		Pin d.9,5 h=15	2	
3		Radial bearing 15x35x11	1	
4		Snap ring	1	
5		Cover gasket	1	
6		screw M6x35	10	
7		Hose clamp	1	
8		Cooling Cover	1	
9		Retainer buffer	3	
10		Transmission cover	1	
11		Hose	1	
12		Hex socket screw M5x14	2	
13		Hose clamp	4	
14		Hose clamp	1	
15		Metric screw M6x22	2	
16		Belt cooling conduit	1	
17		Spring plate M6	2	

Group	Engine
Code	01.18
Description	Oil pump
Service	1



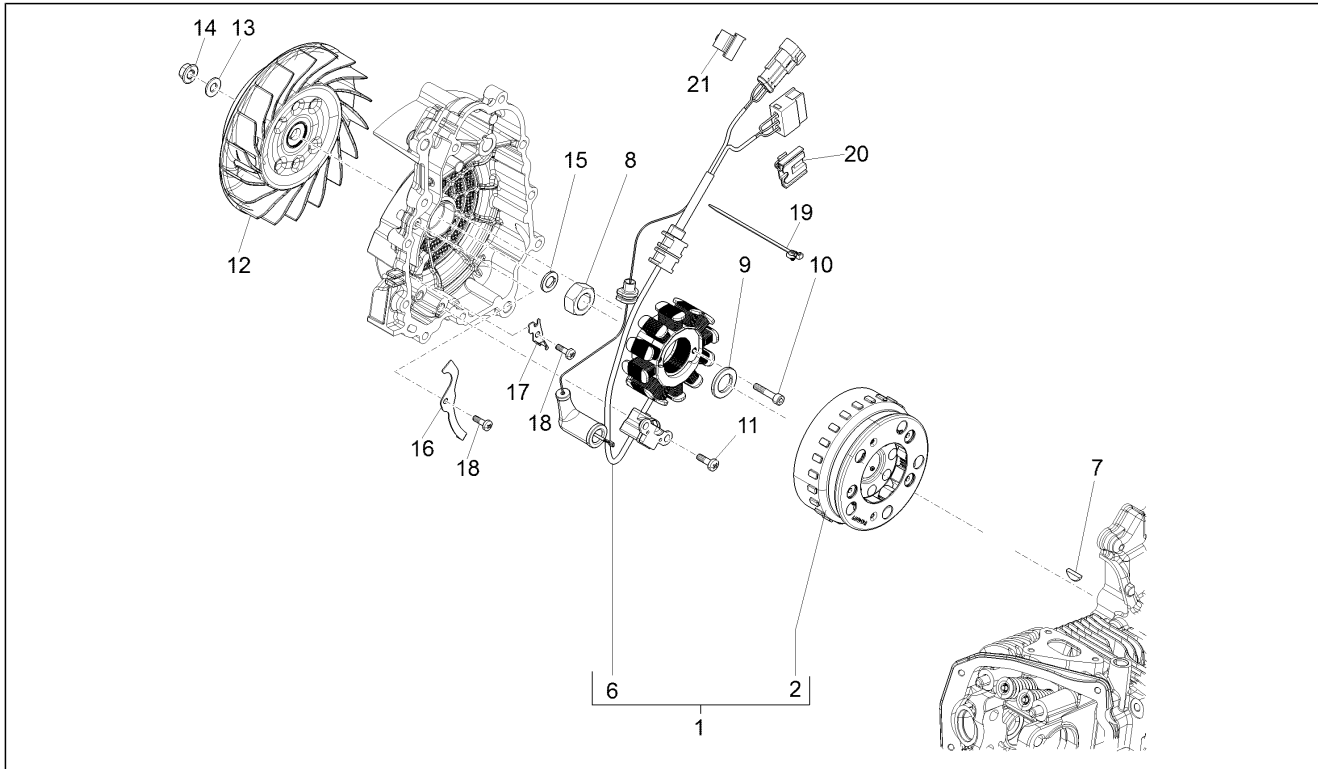
Pos.	Code	Description	Qty	Variants
1		Oil pump assembly	1	
2		Oil pump/crankcase gasket	1	
3		Screw w/ flange M5x35	2	
4		Pan oil	1	
5		Sump gasket	1	
6		Screw w/ flange M6x30	7	
7		Retainer clamp	2	
8		Plain washer	3	
9		Self-tapping screw M5x12	3	
10		Locating dowel Ø7,5x12	3	
11		Oil seal washer	1	
12		O-Ring seal ring	1	
13		Camshaft chain	1	
13		Camshaft chain	1	
14		Timing chain pinion	1	
15		Oil pump chain	1	
16		Oil pump control pinion	1	
17		Chain tensioner bracket	1	
18		Cylinder/chain tensioner gasket	1	
19		Screw w/ flange M6x16	2	
20		Chain tensioner rod spacer	1	
21		Screw w/ flange M6x25	1	
22		Chain tensioner rod	1	
23		Chain tensioner sliding block	1	
24		Timing system cover	1	
25		Oil pump chain drift	1	
26		Gasket ring 24x35x7	1	
27		O-Ring seal ring	1	

Group	Engine
Code	01.20
Description	Stater - Electric starter
Service	1



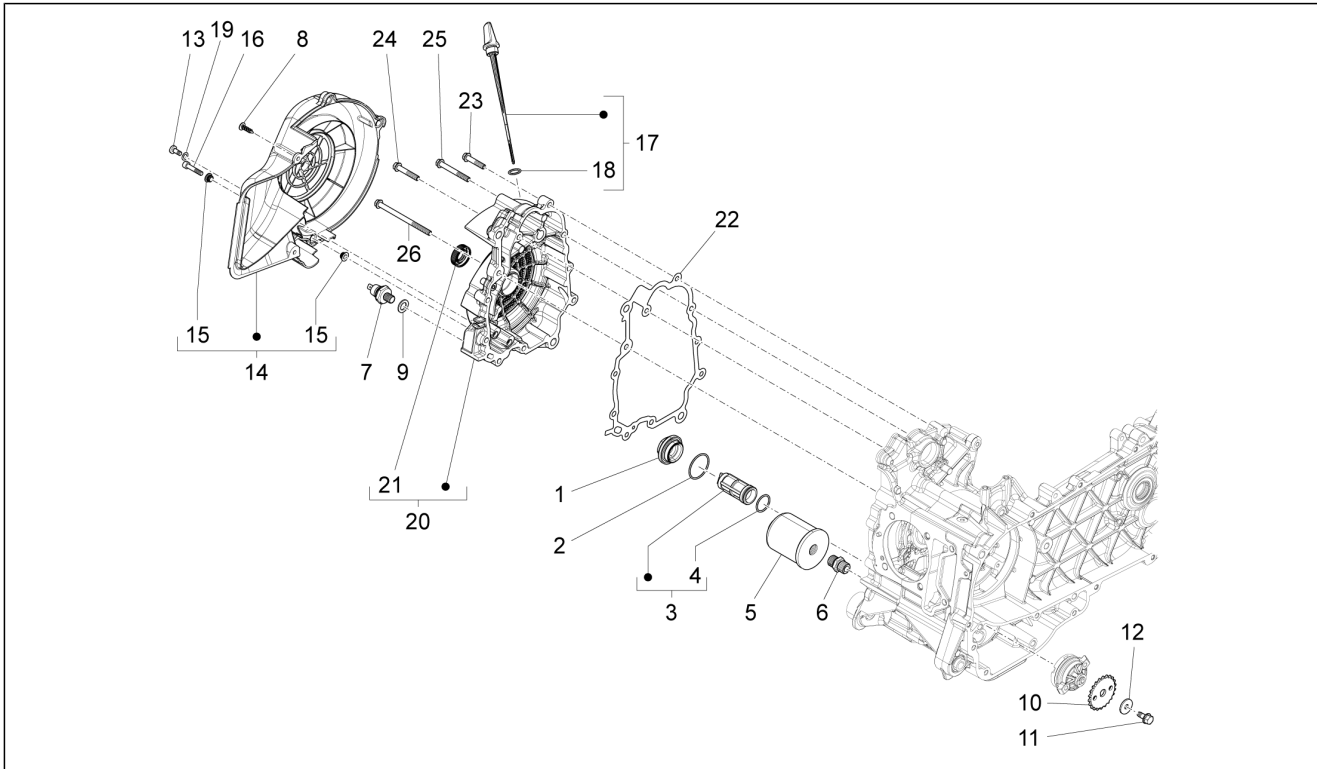
Pos.	Code	Description	Qty	Variants
1		Starter motor	1	
2		Screw w/ flange M6x25	2	
3		Nut M6	1	
4		Spring washer 6,4x11,8x1	1	
5		Electric starter gear	1	
6		Starter motor gear	1	
7		Engine-frame ground wiring	1	
8		Screw w/ flange M6x16	1	
9		Spring washer 6,4x11,8x1	1	
10		Flat washer 6,4x12x1	1	
11		Screw w/ flange M6x10	1	
12		Spring washer 12x6,4x0,5	1	

Group	Engine
Code	01.21
Description	Flywheel magneto
Service	1



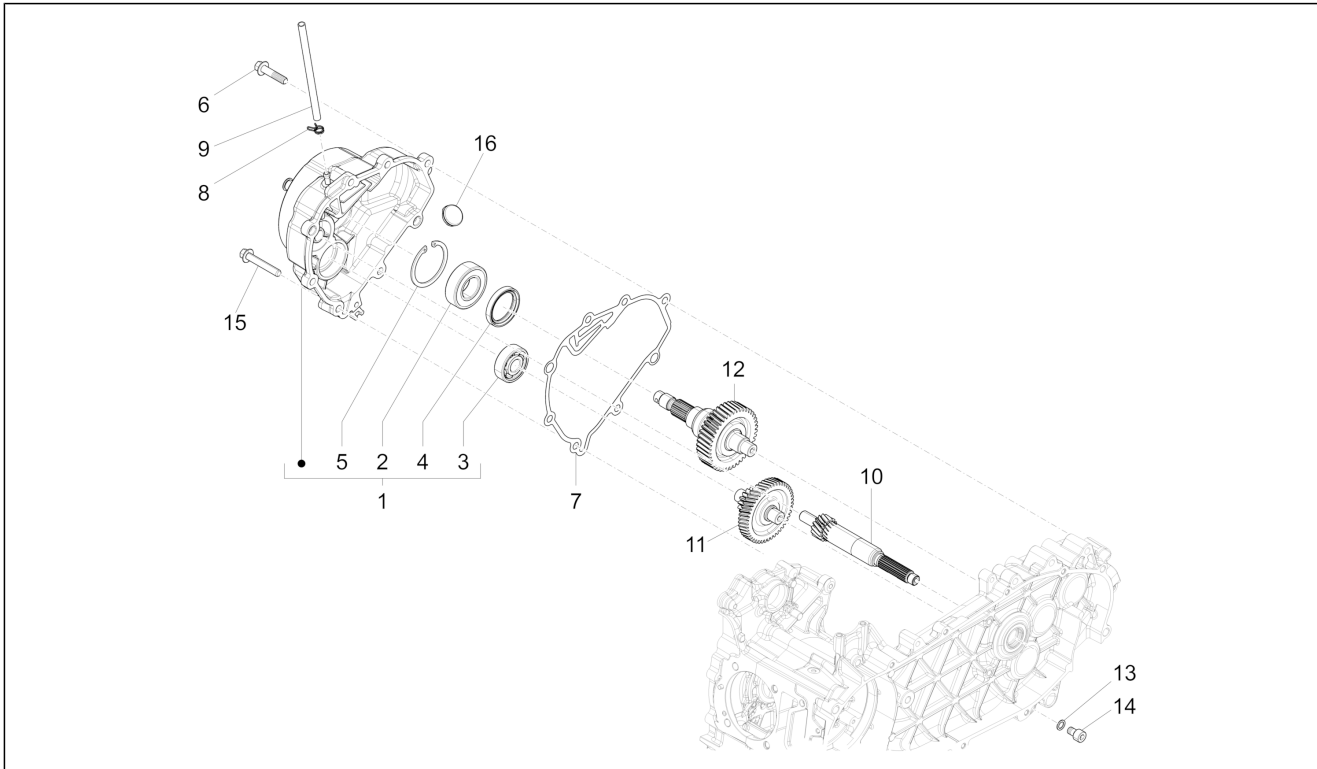
Pos.	Code	Description	Qty	Variants
1		Complete magneto flywheel	1	
2		Complete freewheel rotor	1	
6		Stator	1	
7		Transmission key	1	
8		Nut M16x1,25	1	
9		Belleville spring	1	
10		TCIC Screw M5x16	2	
11		TCIC Screw M5x10	2	
12		Fan	1	
13		Flat washer 15x8,4x1,5	1	
14		Flanged nut M8x1,25	1	
15		Flat washer	1	
16		Housing sheet	1	
17		Housing sheet	1	
18		Screw M5x10	2	
19		Hose clamp	2	
20		Spring for connector	1	
21		Connector spring	1	

Group	Engine
Code	01.23
Description	Flywheel magneto cover - Oil filter
Service	1



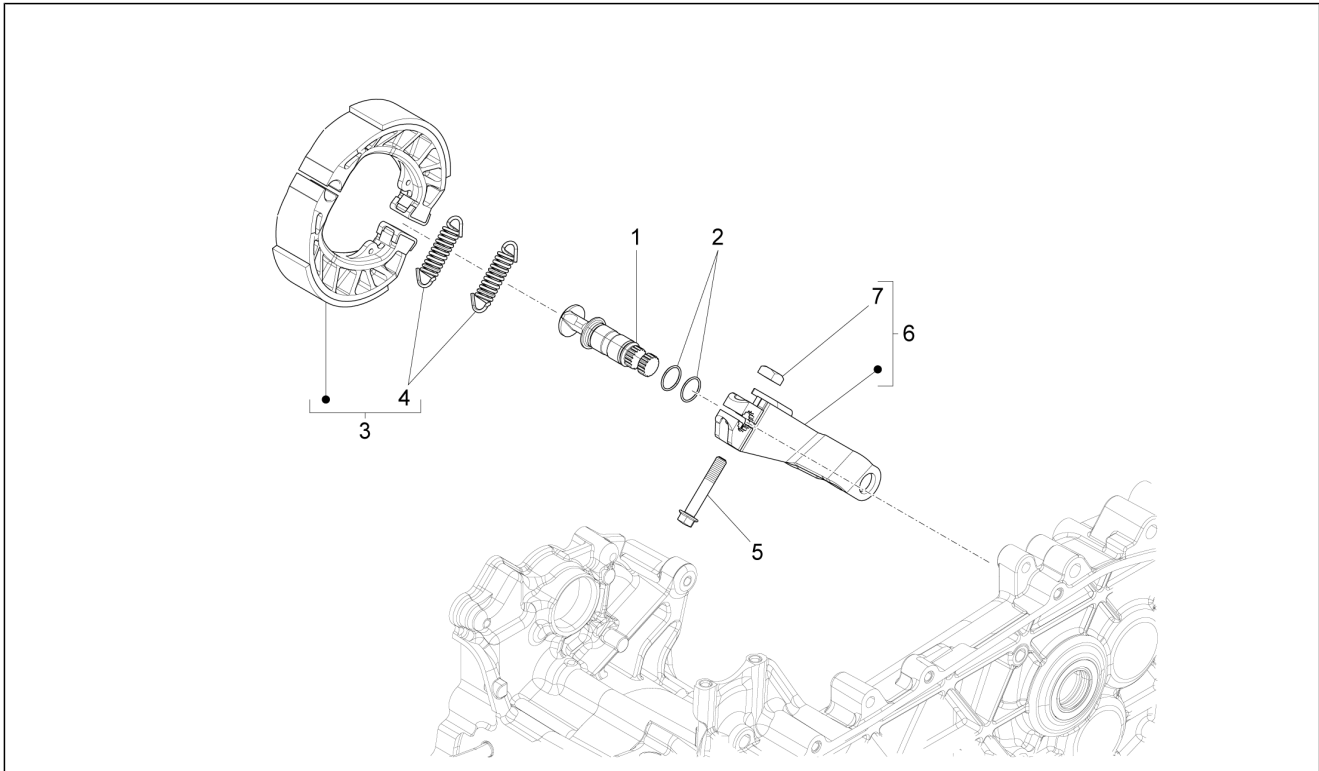
Pos.	Code	Description	Qty	Variants
1		Oil filter plug	1	
2		O-ring 31,47x1,78	1	
3		Intake oil filter	1	
4		O-ring 20,35x1,78	1	
5		Oil filter	1	
6		Special screw	1	
7		Minimum oil pressure sensor	1	
8		Self tapping screw L=20 mm	2	
9		Washer 10,5x17x1,5	1	
10		Oil pump gear	1	
11		Screw w/ flange	1	
12		Belleville spring	1	
13		Self-tapping screw M5x12	1	
14		Complete flywheel side duct	1	
15		Bushing	6	
16		Hex socket screw M5x25	3	
17		Oil dipstick	1	
18		O-ring	1	
19		Plain washer 5,4x10x0,8	1	
20		Complete flywheel cover	1	
21		Gasket ring 14x28x7	1	
22		Flywheel housing cover gasket	1	
23		Screw w/ flange M6x30	5	
24		screw M6x35	2	
25		Screw	2	
26		screw M6x90	3	

Group	Engine
Code	01.25
Description	Reduction unit
Service	1



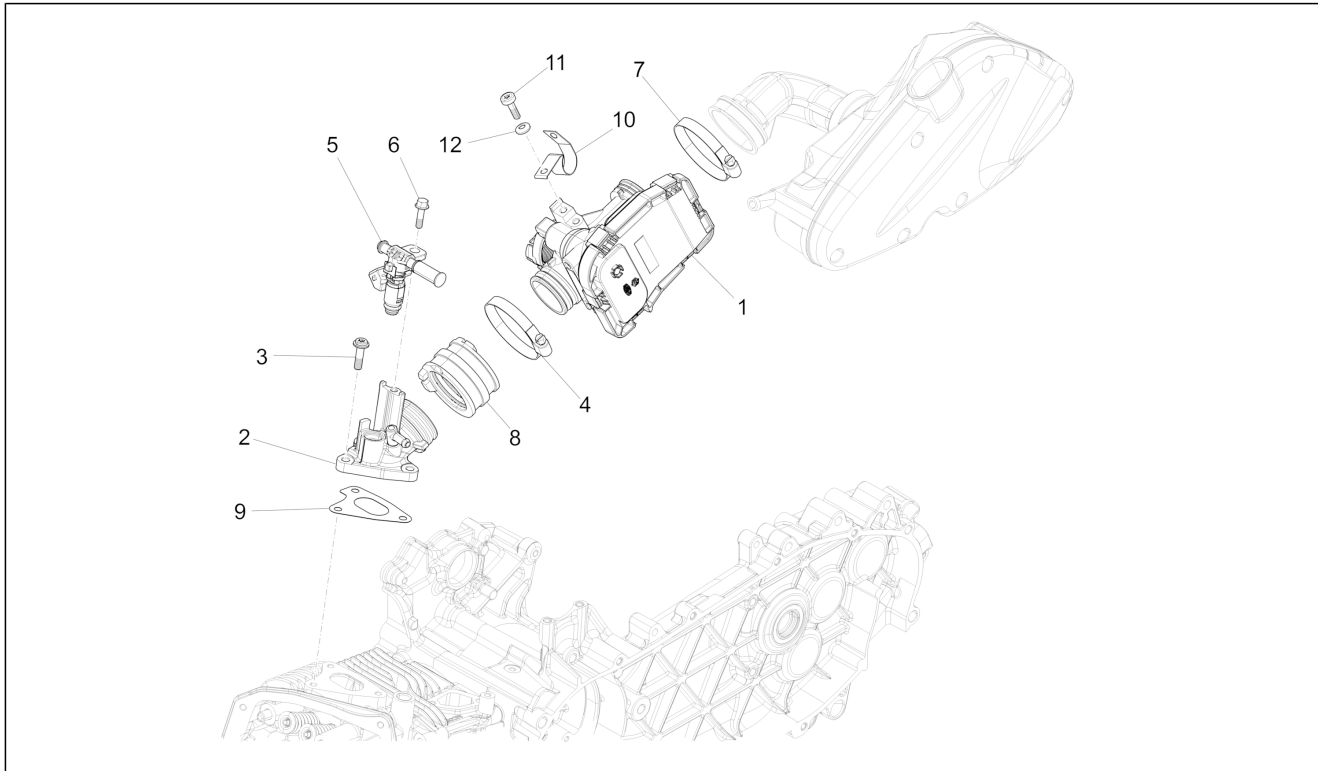
Pos.	Code	Description	Qty	Variants
1		Reducer cover with U.P.	1	
2		Radial bearing 25x52x15	1	
3		Radial bearing 15x42x13	1	
4		Gasket ring 35x47x7	1	
5		Snap ring 52x56,2x2	1	
6		Screw w/ flange M8x35	5	
7		Reduction unit cover gasket	1	
8		Hose clamp	1	
9		Reduction unit breather pipe assembly	1	
10		Driven pulley shaft z 15 Z=15	1	
11		Transmission shaft	1	
11		Transmission shaft	1	
12		Rear wheel axle	1	
13		Washer 8.2x12x1	2	
14		Hex socket screw M8x12	2	
15		Screw w/ flange M8x50	3	
16		Dust gaiter cover	1	

Group	Engine
Code	01.35
Description	Rear brake - Brake jaw
Service	1



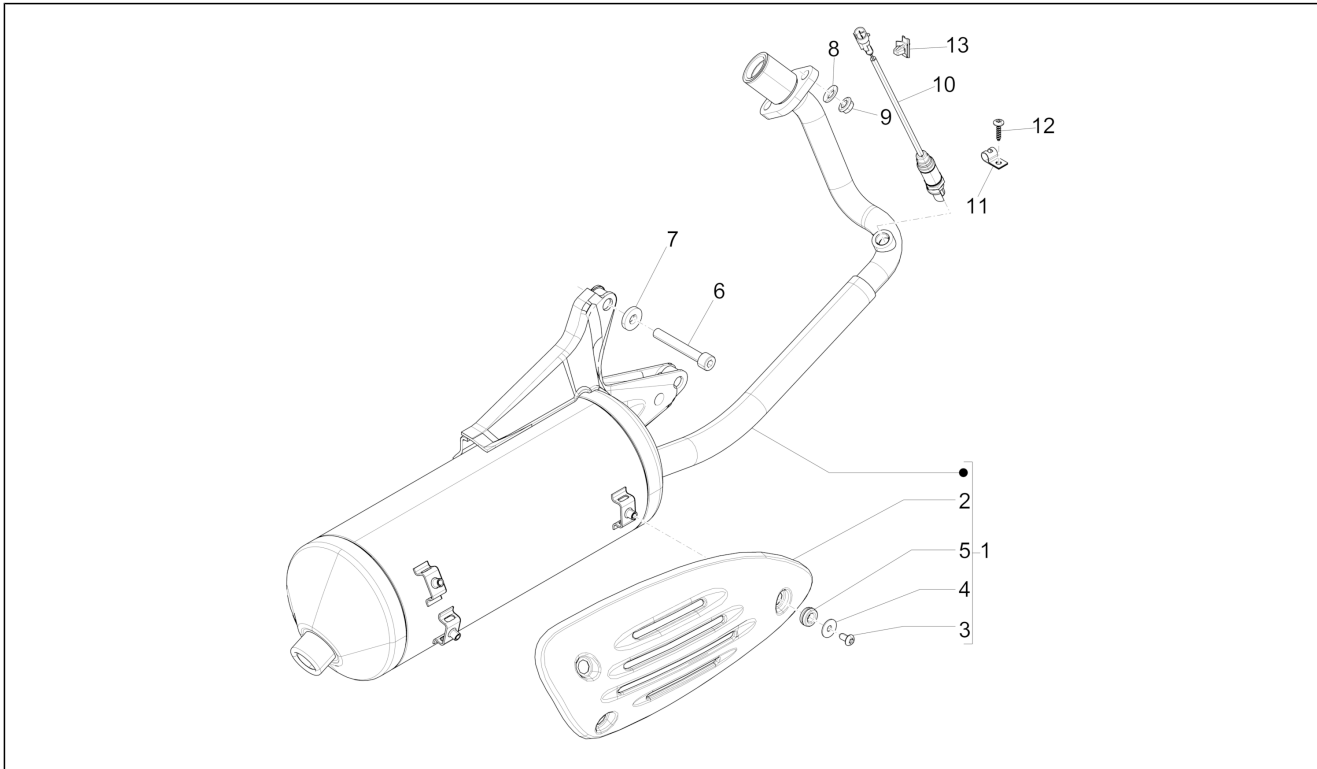
Pos.	Code	Description	Qty	Variants
1		Brake lever shaft	1	
2		O-Ring seal ring	2	
3		Pair of brake shoes	1	
4		Brake shoes return spring	2	
5		screw M6x35	1	
6		Rear brake lever	1	
7		Square nut	1	

Group	Engine
Code	01.36
Description	Throttle body - Injector - Induction joint
Service	1



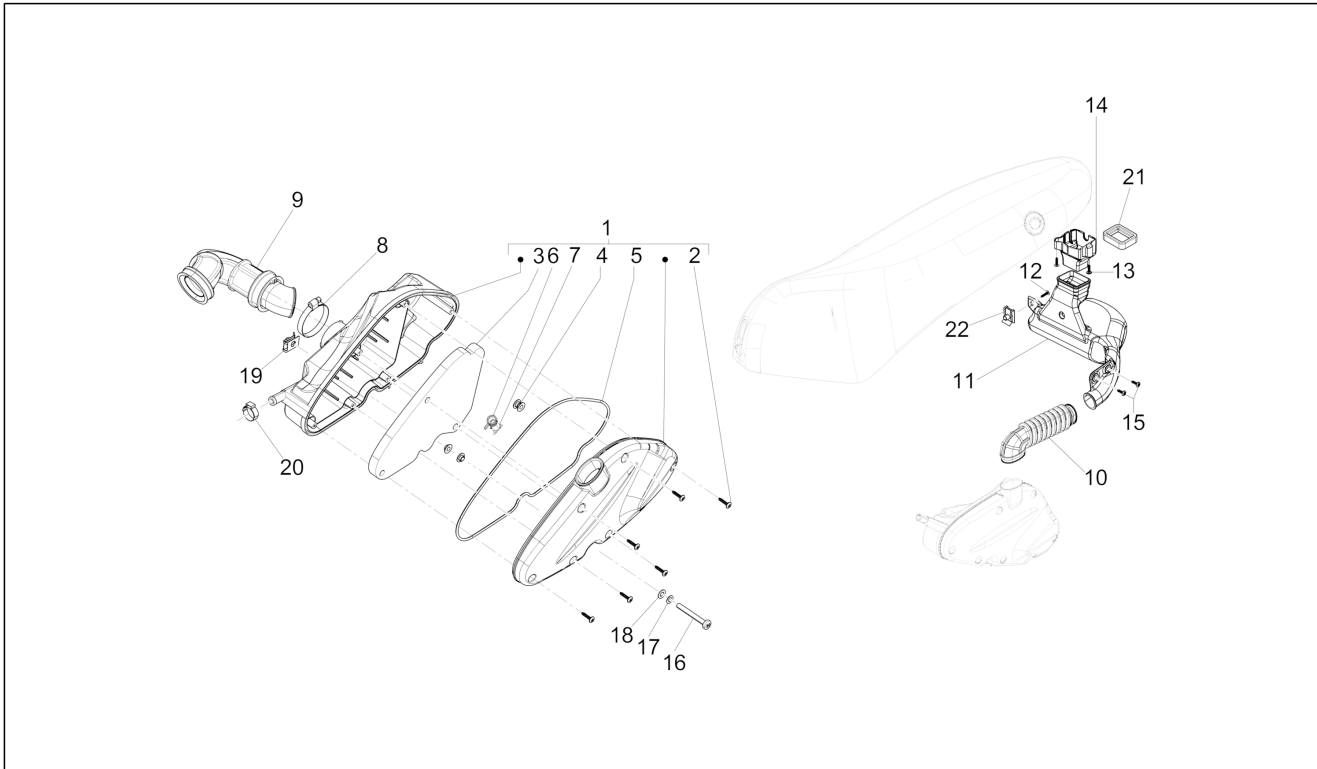
Pos.	Code	Description	Qty	Variants
1		Throttle body with ECU	1	Country:Australia[AU]
1		Throttle body with E.C.U.	1	Country:China[CN]
2		Induction joint with U.P.	1	Colour:Dragon Red 894[894] Country:China[CN] Colour:BLACK[79/A] Country:China[CN] Colour:Blue[222/A] Country:China[CN] Colour:White[566] Country:China[CN]
2		Union pipe	1	Colour:Dragon Red 894[894] Country:Australia[AU] Colour:BLACK[79/A] Country:Australia[AU] Colour:Blue[222/A] Country:Australia[AU] Colour:White[566] Country:Australia[AU] Country:Australia[AU] Colour:Titanium grey[798/B]
3		screw M6x25	3	
4		Hose clamp	1	
4		Hose clamp	1	
5		Injector complete with connection	1	
6		Screw w/ flange M5x20	1	
7		Hose clamp	1	
8		Hose	1	
8		Hose	1	
9		Gasket	1	
10		Metallic clamp	1	
11		Screw M5x15	1	
12		Washer	1	

Group	Engine
Code	01.42
Description	Silencer
Service	1



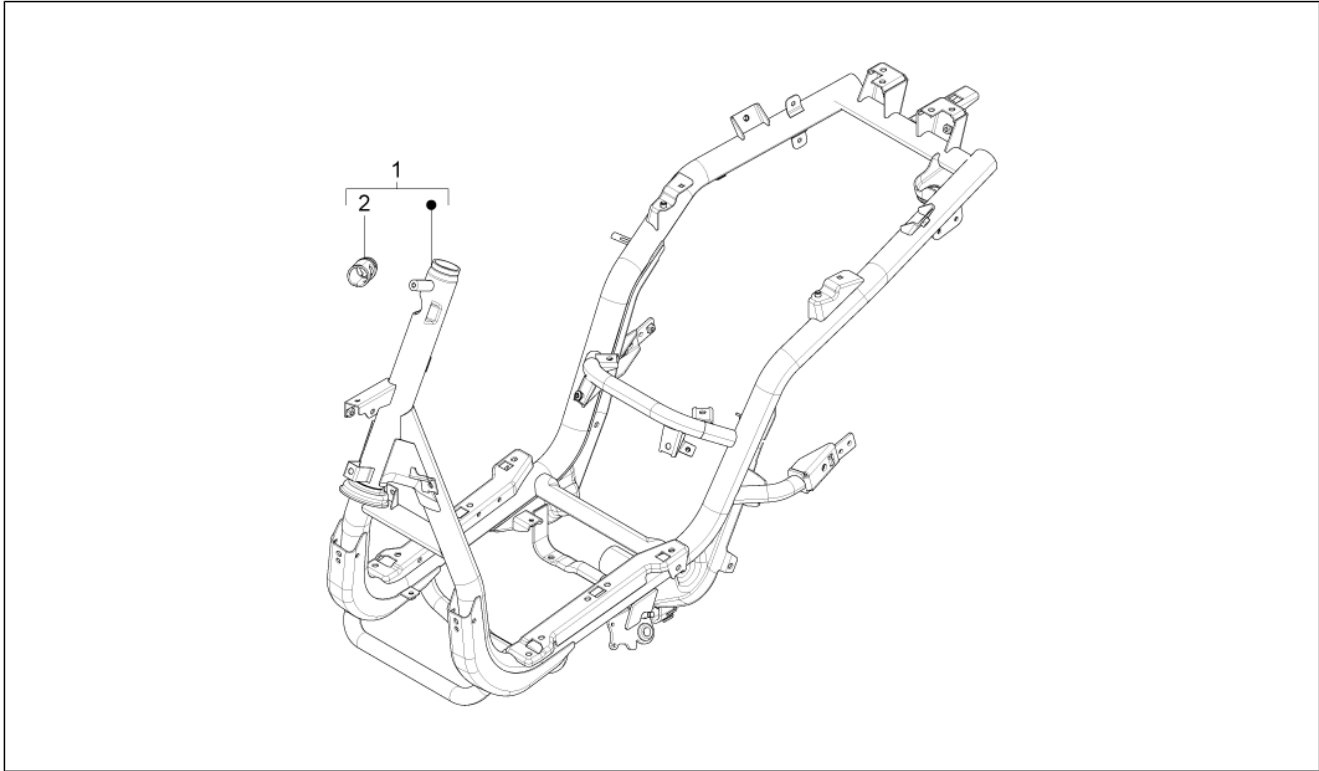
Pos.	Code	Description	Qty	Variants
1		Silencer complete with protection	1	Country:Australia[AU]
1		Silencer complete with protection	1	Country:China[CN]
2		Protection	1	
3		screw M5x10	3	
4		Flat washer	3	
5		Rubber spacer	3	
6		Screw w/ flange M8x40	2	Country:China[CN]
6		Hex socket screw M8x55	2	Country:Australia[AU]
7		Washer	2	
8		Spring washer 16x8,2x2,2	2	
9		Nut	2	
10		Lamda sensor (L. 325 mm)	1	Country:China[CN]
10		Lamda sensor	1	Country:Australia[AU]
11		Strap	1	
12		TBCIC Screw	1	
13		Spring for connector	1	

Group	Engine
Code	01.45
Description	Air filter
Service	1



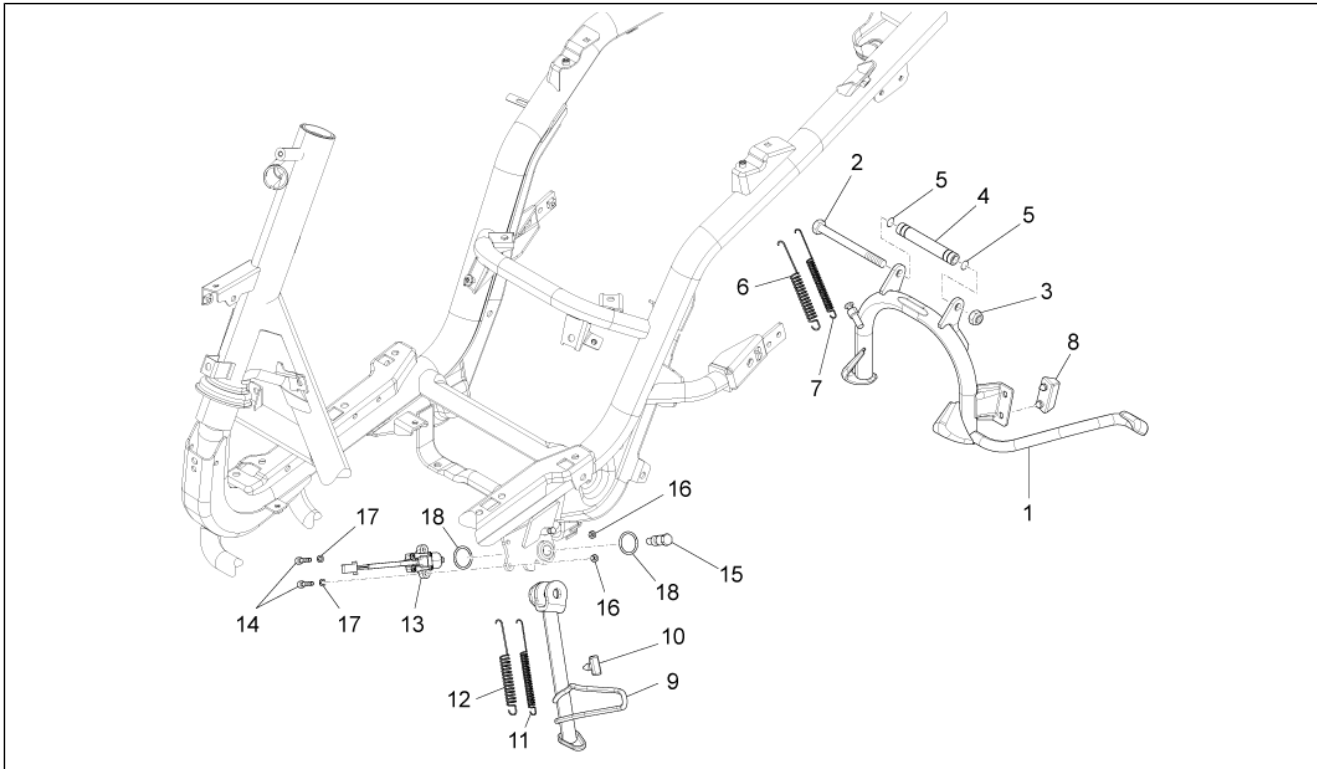
Pos.	Code	Description	Qty	Variants
1		Air cleaner, assy.	1	
1		Air cleaner, assy.	1	
2		Self-tap screw M3x20	6	
3		Air filter PREMIUM	1	
3		Filtering element	1	
4		Knurled bushing	4	
5		Packing	1	
6		Hose clamp	1	
7		Cap	1	
8		Hose clamp	2	
9		Air cleaner sleeve	1	
10		Engine intake air conduit	1	
11		Intake chamber	1	
12		Screw M6x16	1	
13		Self tapping screw D4x16	2	
14		Extension	1	
15		screw	2	
16		Special cap screw M6x50	2	
17		Notched washer 6,6x11x0	2	
18		Flat washer 6,4x12x1	2	
19		Spring plate M6	2	
20		Hose clamp	1	
21		Gasket	1	
22		Spring plate M6	1	

Group	Frame - Plastic parts - Coachwork
Code	02.01
Description	Frame/bodywork
Service	1



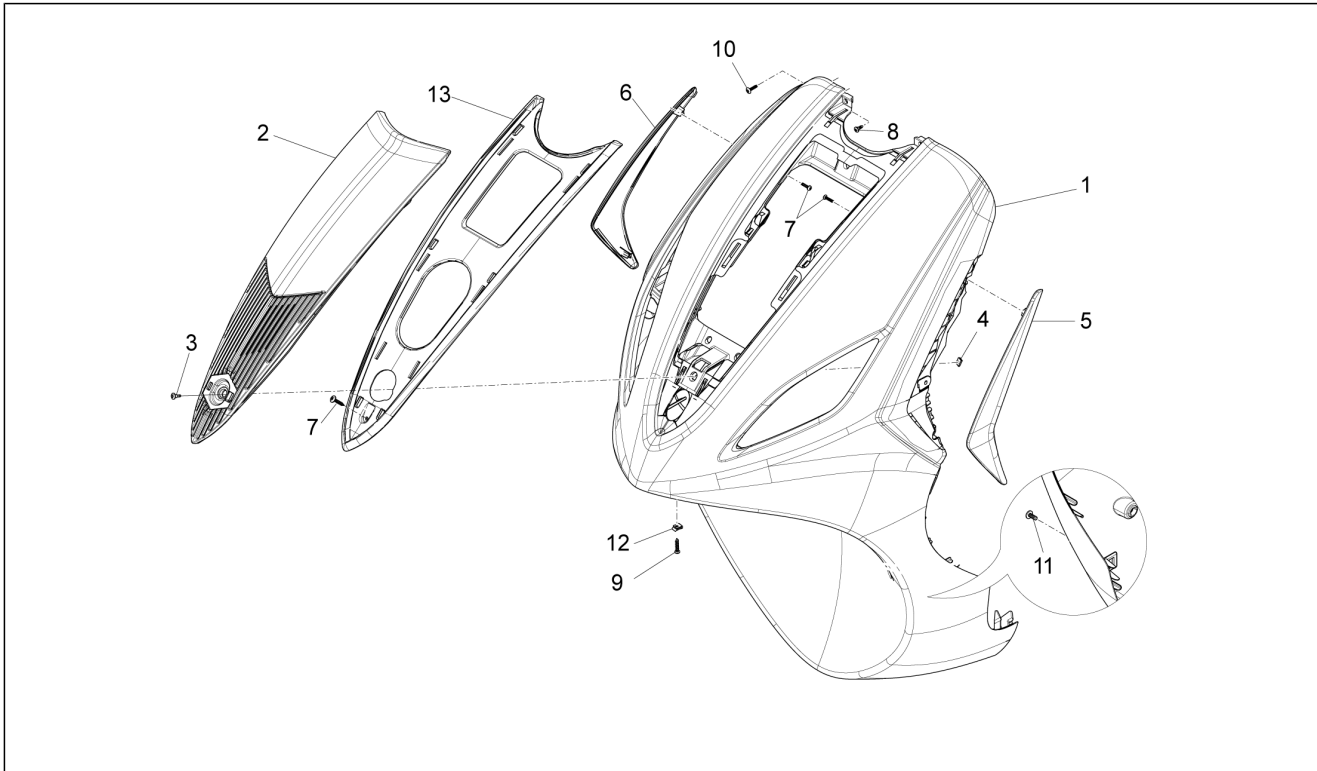
Pos.	Code	Description	Qty	Variants
1		Frame with u.p.	1	
2		Lock support	1	

Group	Frame - Plastic parts - Coachwork
Code	02.25
Description	Stand/s
Service	1



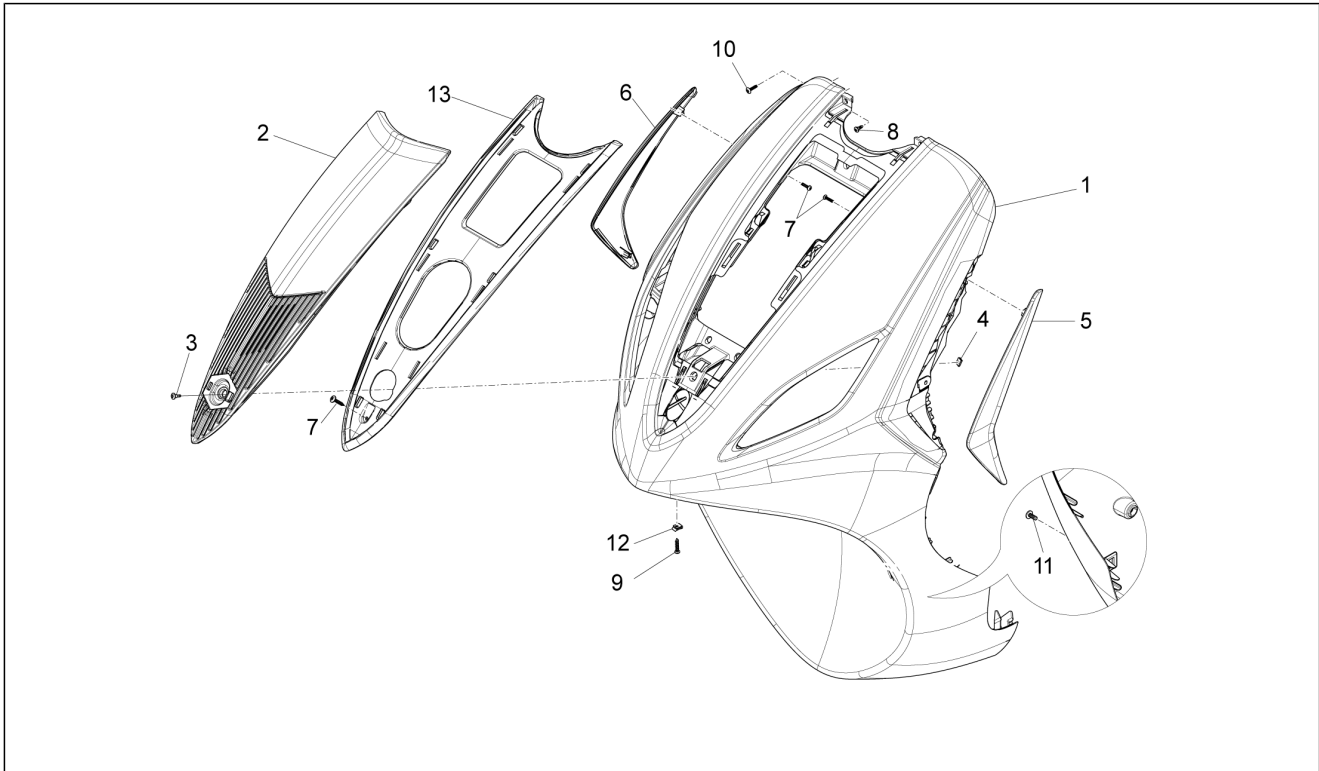
Pos.	Code	Description	Qty	Variants
1		Centre stand with U.P.	1	
2		Hex screw	1	
3		Self locking nut M10	1	
4		Spacer	1	
5		O-ring	2	
6		Spring	1	
7		Spring	1	
8		Pad	1	
9		Lateral stand	1	
10		Stop buffer	1	
11		Spring	1	
12		Spring	1	
13		Stand button	1	
14		screw	2	
15		Side stand fixing screw.	1	
16		Nut	2	
17		Spring washer 8,5x5,1x1,5	2	
18		Gasket	2	

Group	Frame - Plastic parts - Coachwork
Code	02.26
Description	Front shield
Service	1



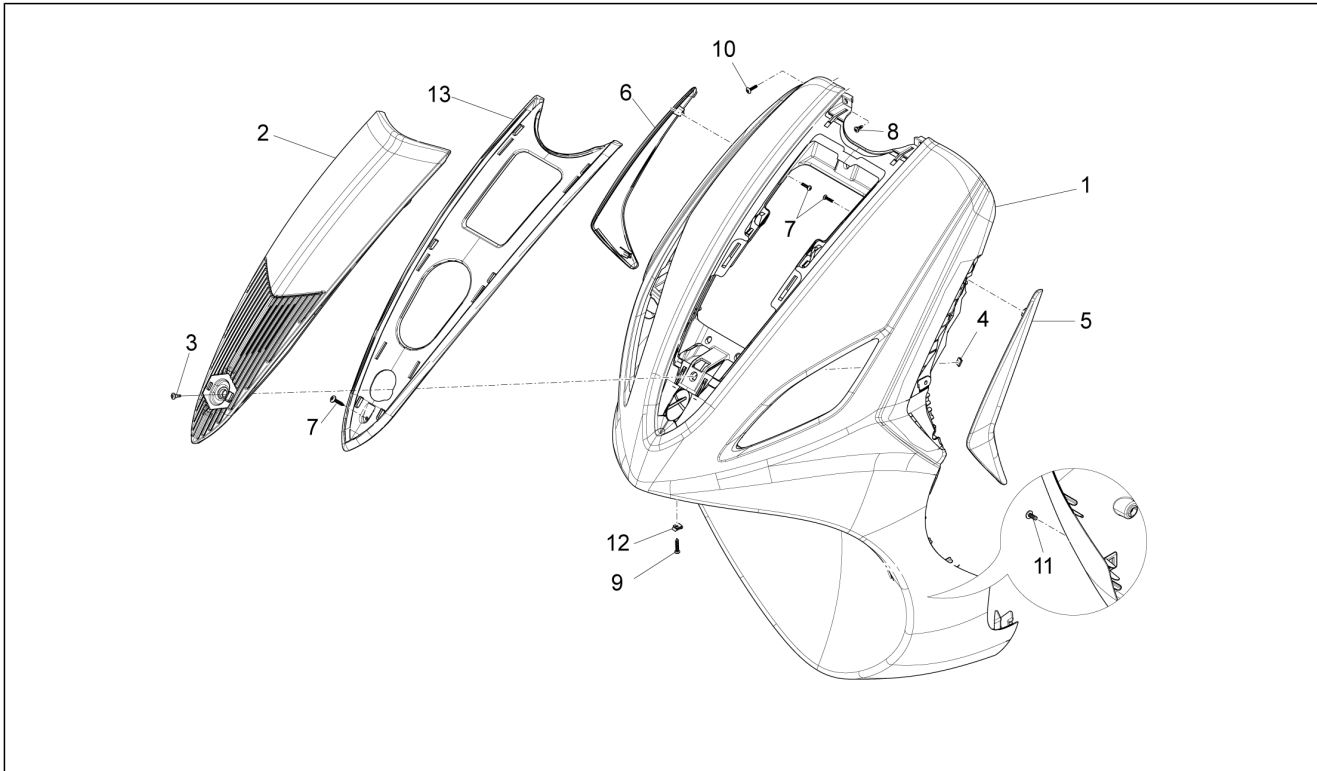
Pos.	Code	Description	Qty	Variants
1		Front shield	1	Country:Australia[AU] Colour:Titanium grey[798/B]
1		Front shield	1	Colour:Blue[222/A] Country:Australia[AU] Colour:Blue[222/A] Country:China[CN]
1		Front shield	1	Colour:White[566] Country:Australia[AU] Colour:White[566] Country:China[CN]
1		Front shield	1	
1		Front shield	1	Colour:BLACK[79/A] Country:Australia[AU] Colour:BLACK[79/A] Country:China[CN]
1		Front shield	1	Colour:Dragon Red 894[894] Country:Australia[AU] Colour:Dragon Red 894[894] Country:China[CN]
2		Front grille	1	Colour:Dragon Red 894[894] Country:Australia[AU] Colour:BLACK[79/A] Country:Australia[AU] Colour:Blue[222/A] Country:Australia[AU] Colour:Dragon Red 894[894] Country:China[CN] Colour:BLACK[79/A] Country:China[CN] Colour:Blue[222/A] Country:China[CN] Colour:White[566] Country:China[CN] Colour:White[566] Country:Australia[AU] Country:Australia[AU]

Group	Frame - Plastic parts - Coachwork
Code	02.26
Description	Front shield
Service	1



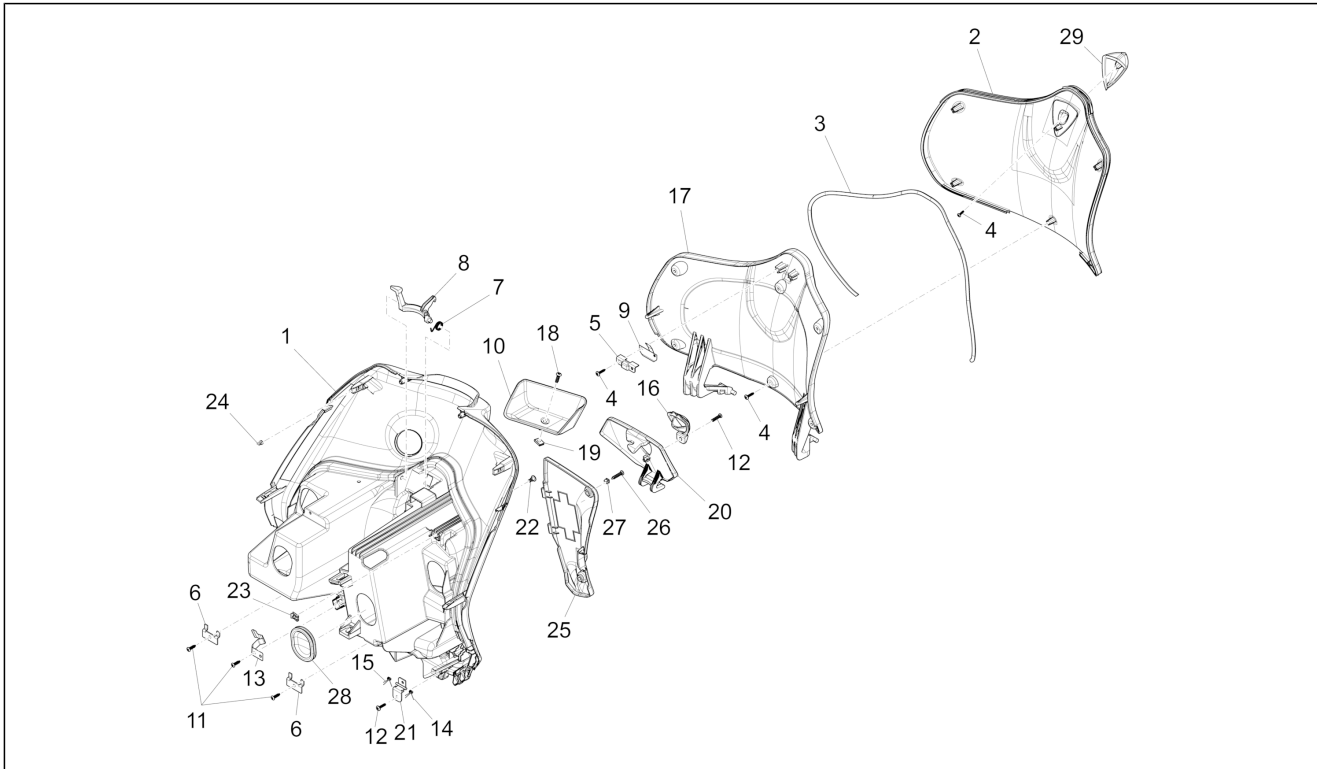
Pos.	Code	Description	Qty	Variants
				Colour:Titanium grey[798/B]
3		Metric screw M6x22	1	
4		Spring plate M6	1	
5		Left front deflector	1	Colour:Dragon Red 894[894] Country:Australia[AU] Colour:BLACK[79/A] Country:Australia[AU] Colour:Blue[222/A] Country:Australia[AU] Colour:Dragon Red 894[894] Country:China[CN] Colour:BLACK[79/A] Country:China[CN] Colour:Blue[222/A] Country:China[CN] Colour:White[566] Country:China[CN] Colour:White[566] Country:Australia[AU] Country:Australia[AU] Colour:Titanium grey[798/B]
6		Right front deflector	1	Colour:Dragon Red 894[894] Country:Australia[AU] Colour:BLACK[79/A] Country:Australia[AU] Colour:Blue[222/A] Country:Australia[AU] Colour:Dragon Red 894[894] Country:China[CN] Colour:BLACK[79/A] Country:China[CN] Colour:Blue[222/A] Country:China[CN] Colour:White[566] Country:China[CN] Colour:White[566]

Group	Frame - Plastic parts - Coachwork
Code	02.26
Description	Front shield
Service	1



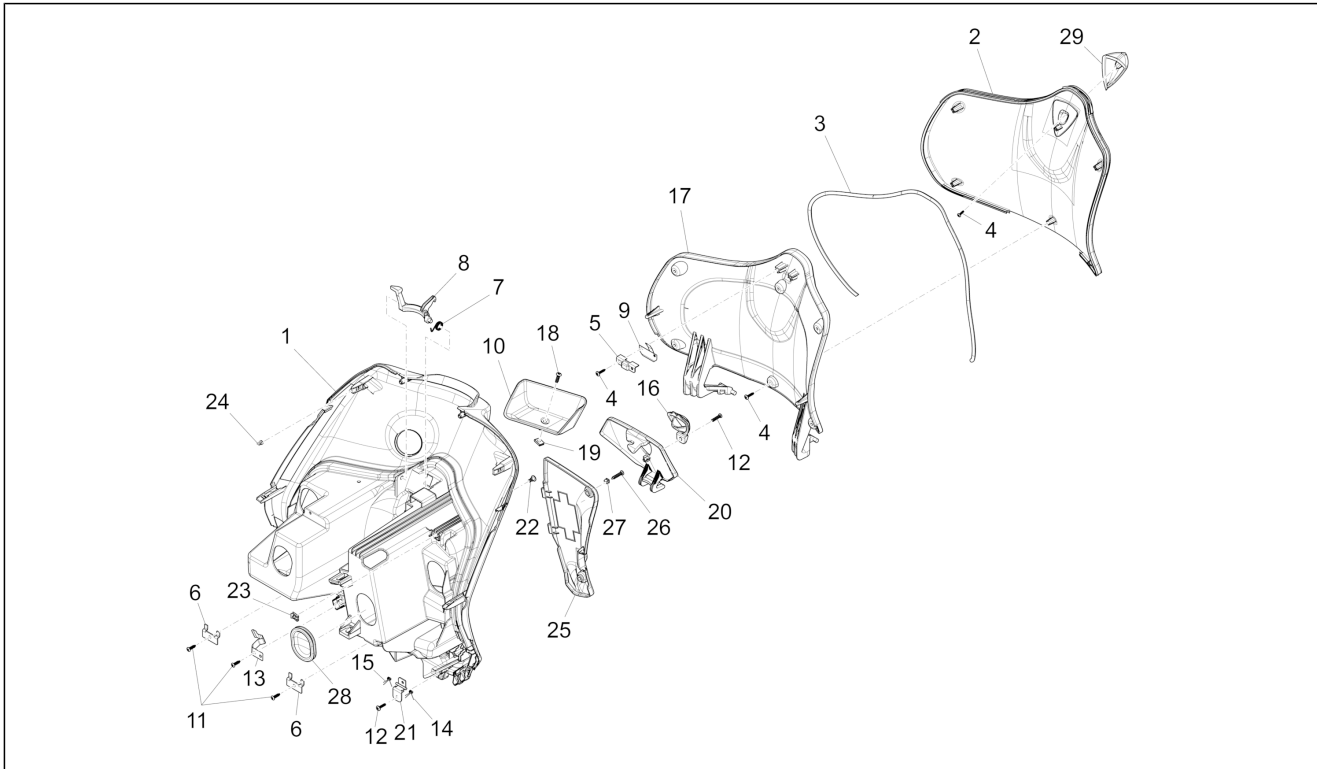
Pos.	Code	Description	Qty	Variants
				Country:Australia[AU] Country:Australia[AU] Colour:Titanium grey[798/B]
7		Self tapping screw	6	
8		Metric screw M6x22	1	
9		Self tapping screw D4.2x16	4	
10		Self tapping screw D4x16	2	
11		Metric screw TBC	2	
12		Spring plate	4	
13		Front central frame	1	

Group	Frame - Plastic parts - Coachwork
Code	02.30
Description	Front glove-box - Knee-guard panel
Service	1



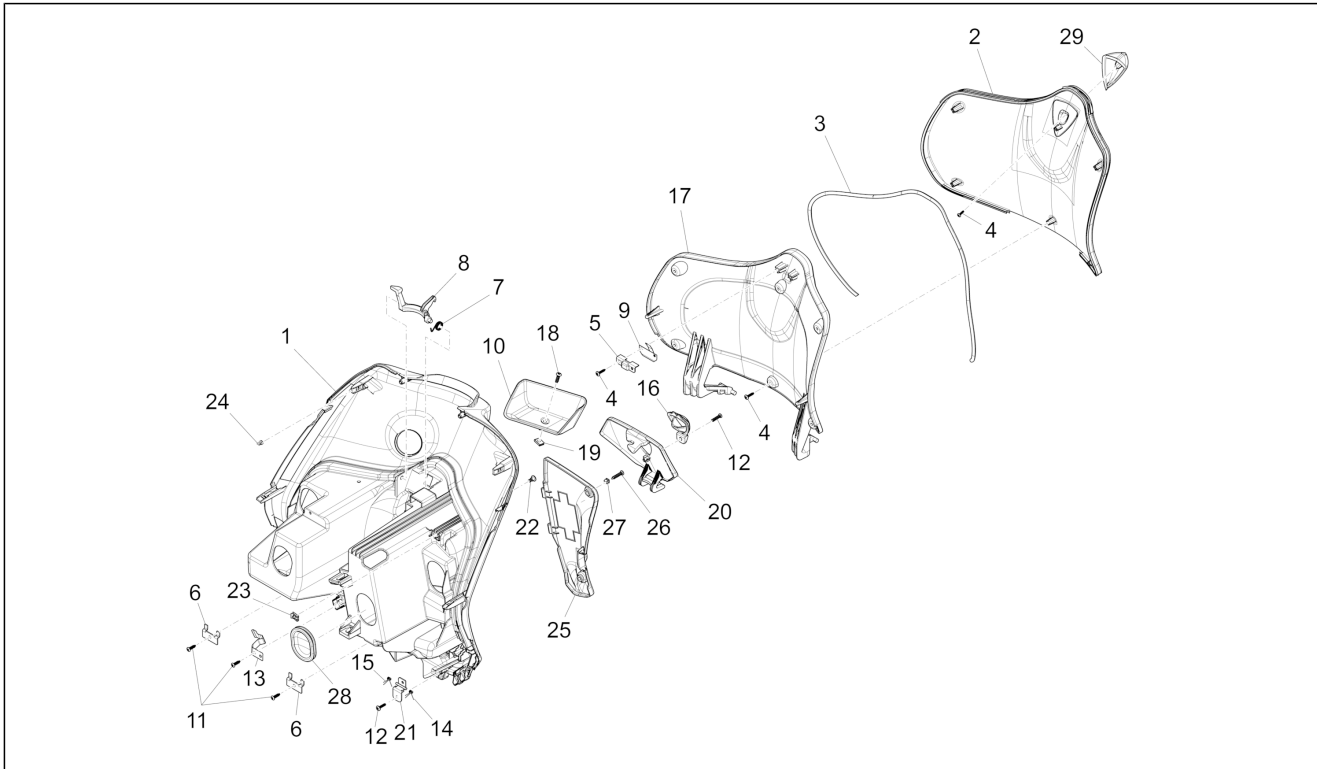
Pos.	Code	Description	Qty	Variants
1		Counter shield	1	Colour:Dragon Red 894[894] Country:Australia[AU] Colour:BLACK[79/A] Country:Australia[AU] Colour:Blue[222/A] Country:Australia[AU] Colour:Dragon Red 894[894] Country:China[CN] Colour:BLACK[79/A] Country:China[CN] Colour:Blue[222/A] Country:China[CN] Colour:White[566] Country:China[CN] Colour:White[566] Country:Australia[AU] Country:Australia[AU] Colour:Titanium grey[798/B]
2		Top case door	1	Colour:Dragon Red 894[894] Country:Australia[AU] Colour:BLACK[79/A] Country:Australia[AU] Colour:Blue[222/A] Country:Australia[AU] Colour:Dragon Red 894[894] Country:China[CN] Colour:BLACK[79/A] Country:China[CN] Colour:Blue[222/A] Country:China[CN] Colour:White[566] Country:China[CN] Colour:White[566] Country:Australia[AU] Country:Australia[AU] Colour:Titanium grey[798/B]
3		Top box weatherseal	1	

Group	Frame - Plastic parts - Coachwork
Code	02.30
Description	Front glove-box - Knee-guard panel
Service	1



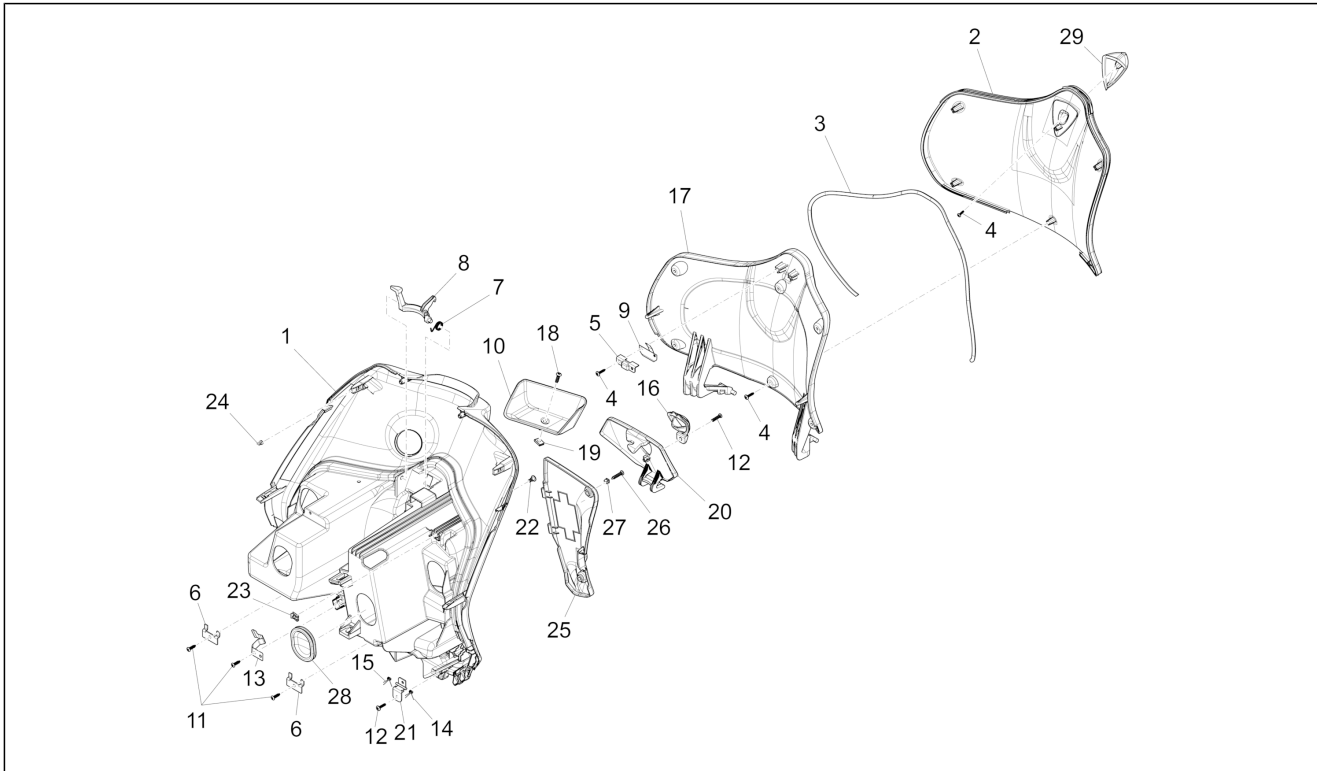
Pos.	Code	Description	Qty	Variants
4		Self tapping screw	7	
5		Square	1	
6		Door fixing bracket	2	
7		Spring	1	
8		Door closing hook	1	
9		Locking plate	1	
10		Rim	1	Colour:Dragon Red 894[894] Country:Australia[AU] Colour:BLACK[79/A] Country:Australia[AU] Colour:Blue[222/A] Country:Australia[AU] Colour:Dragon Red 894[894] Country:China[CN] Colour:BLACK[79/A] Country:China[CN] Colour:Blue[222/A] Country:China[CN] Colour:White[566] Country:China[CN] Colour:White[566] Country:Australia[AU] Country:Australia[AU] Colour:Titanium grey[798/B]
11		Self tapping screw D4x16	3	
12		Self tapping screw	3	
13		Spring plate	1	
14		Spring LH	1	
15		Spring RH	1	
16		Fuel flap handle	1	
17		Counter flap	1	
18		Self tapping screw D4.2x13	1	

Group	Frame - Plastic parts - Coachwork
Code	02.30
Description	Front glove-box - Knee-guard panel
Service	1



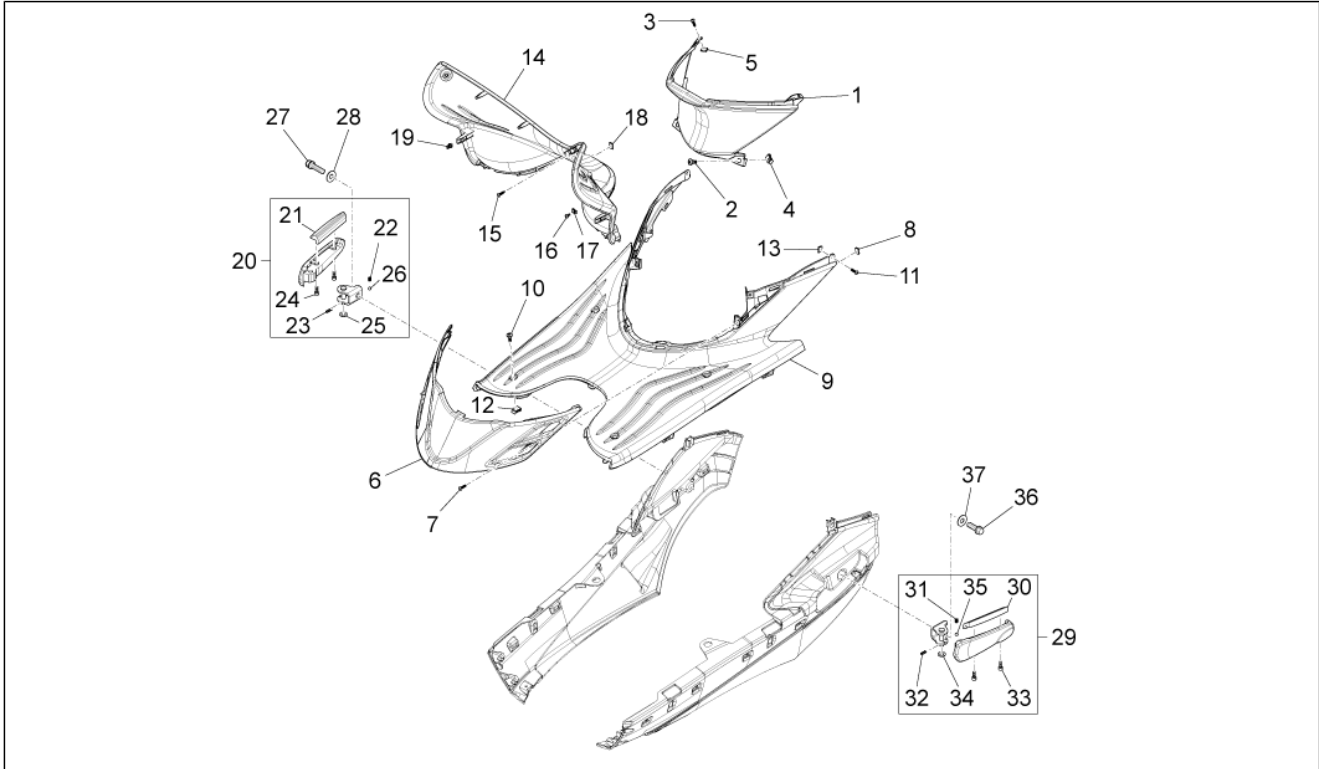
Pos.	Code	Description	Qty	Variants
19		Spring plate	1	
20		Fuel door	1	Colour:Dragon Red 894[894] Country:Australia[AU] Colour:BLACK[79/A] Country:Australia[AU] Colour:Blue[222/A] Country:Australia[AU] Colour:Dragon Red 894[894] Country:China[CN] Colour:BLACK[79/A] Country:China[CN] Colour:Blue[222/A] Country:China[CN] Colour:White[566] Country:China[CN] Colour:White[566] Country:Australia[AU] Country:Australia[AU] Colour:Titanium grey[798/B]
21		Square	1	
22		screw	4	
23		Spring plate M6	4	
24		Gripper clip	4	
25		Battery access door	1	Colour:Dragon Red 894[894] Country:Australia[AU] Colour:BLACK[79/A] Country:Australia[AU] Colour:Blue[222/A] Country:Australia[AU] Colour:Dragon Red 894[894] Country:China[CN] Colour:BLACK[79/A] Country:China[CN] Colour:Blue[222/A] Country:China[CN] Colour:White[566]

Group	Frame - Plastic parts - Coachwork
Code	02.30
Description	Front glove-box - Knee-guard panel
Service	1



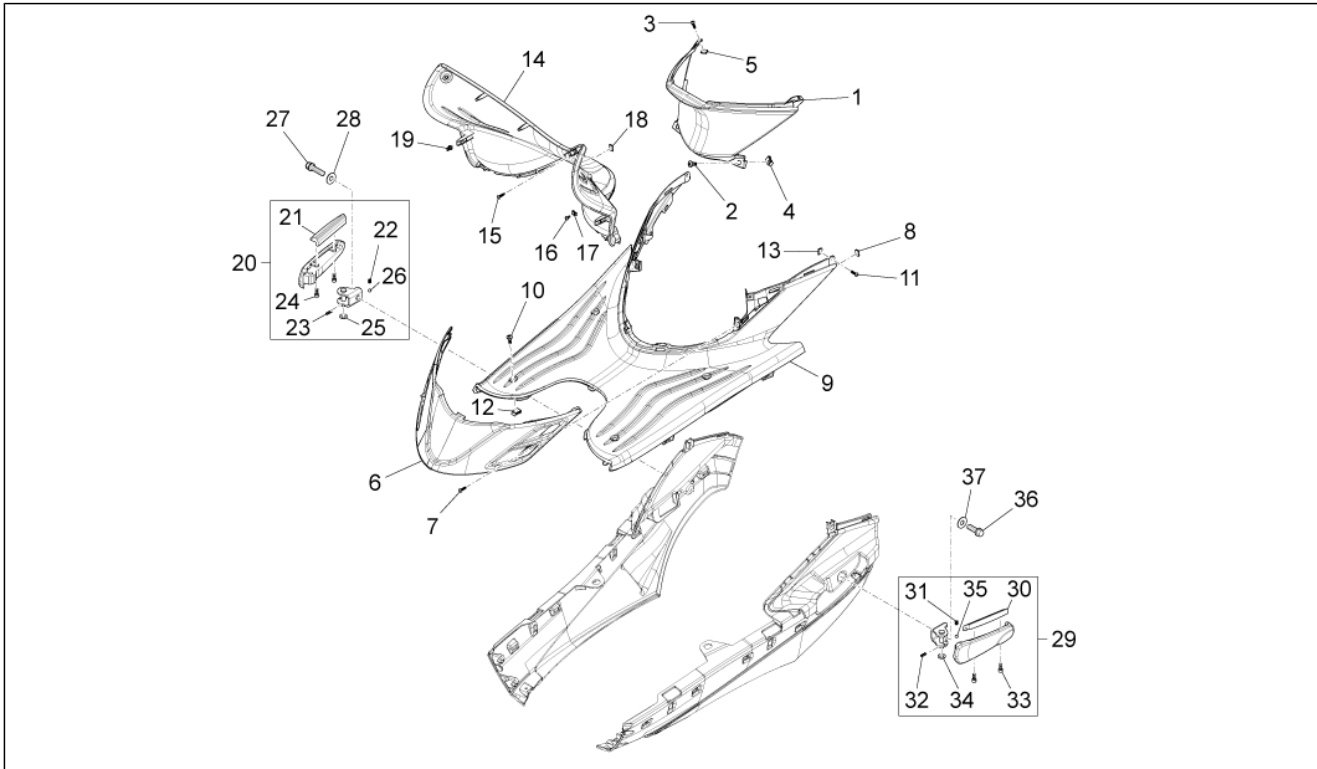
Pos.	Code	Description	Qty	Variants
				Country:China[CN] Colour:White[566] Country:Australia[AU] Country:Australia[AU] Colour:Titanium grey[798/B]
26		Self tapping screw D4.2x16	2	
27		Expansion plug	2	
28		Cover	4	
29		Glove compartment door handle	1	

Group	Frame - Plastic parts - Coachwork
Code	02.31
Description	Central cover - Footrests
Service	1



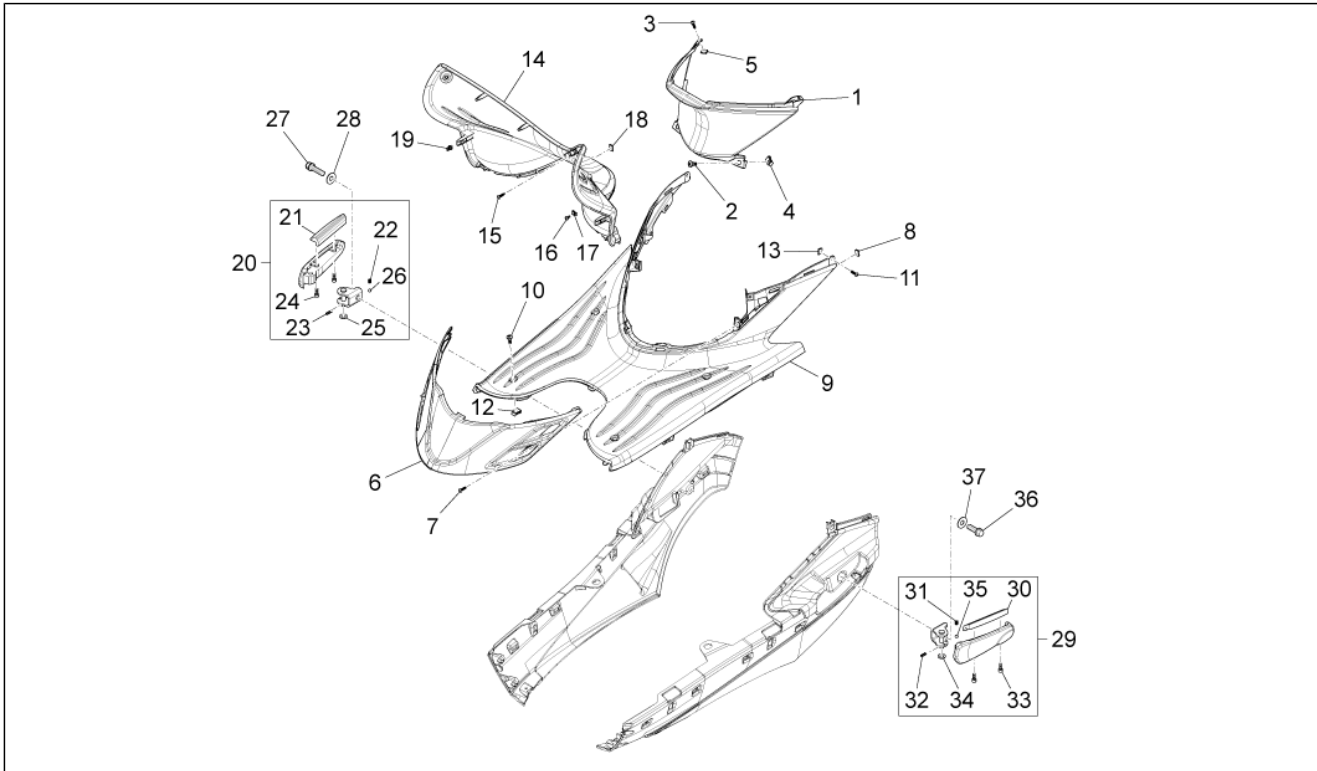
Pos.	Code	Description	Qty	Variants
1		Undersaddle, black	1	Colour:Dragon Red 894[894] Country:Australia[AU] Colour:BLACK[79/A] Country:Australia[AU] Colour:Blue[222/A] Country:Australia[AU] Colour:Dragon Red 894[894] Country:China[CN] Colour:BLACK[79/A] Country:China[CN] Colour:Blue[222/A] Country:China[CN] Colour:White[566] Country:China[CN] Colour:White[566] Country:Australia[AU] Country:Australia[AU] Colour:Titanium grey[798/B]
2		screw	2	
3		Self tapping screw D4.2x16	2	
4		Spring plate M6	2	
5		Spring plate	2	
6		Spark plug inspection cover	1	Colour:Dragon Red 894[894] Country:Australia[AU] Colour:BLACK[79/A] Country:Australia[AU] Colour:Blue[222/A] Country:Australia[AU] Colour:Dragon Red 894[894] Country:China[CN] Colour:BLACK[79/A] Country:China[CN] Colour:Blue[222/A] Country:China[CN] Colour:White[566] Country:China[CN]

Group	Frame - Plastic parts - Coachwork
Code	02.31
Description	Central cover - Footrests
Service	1



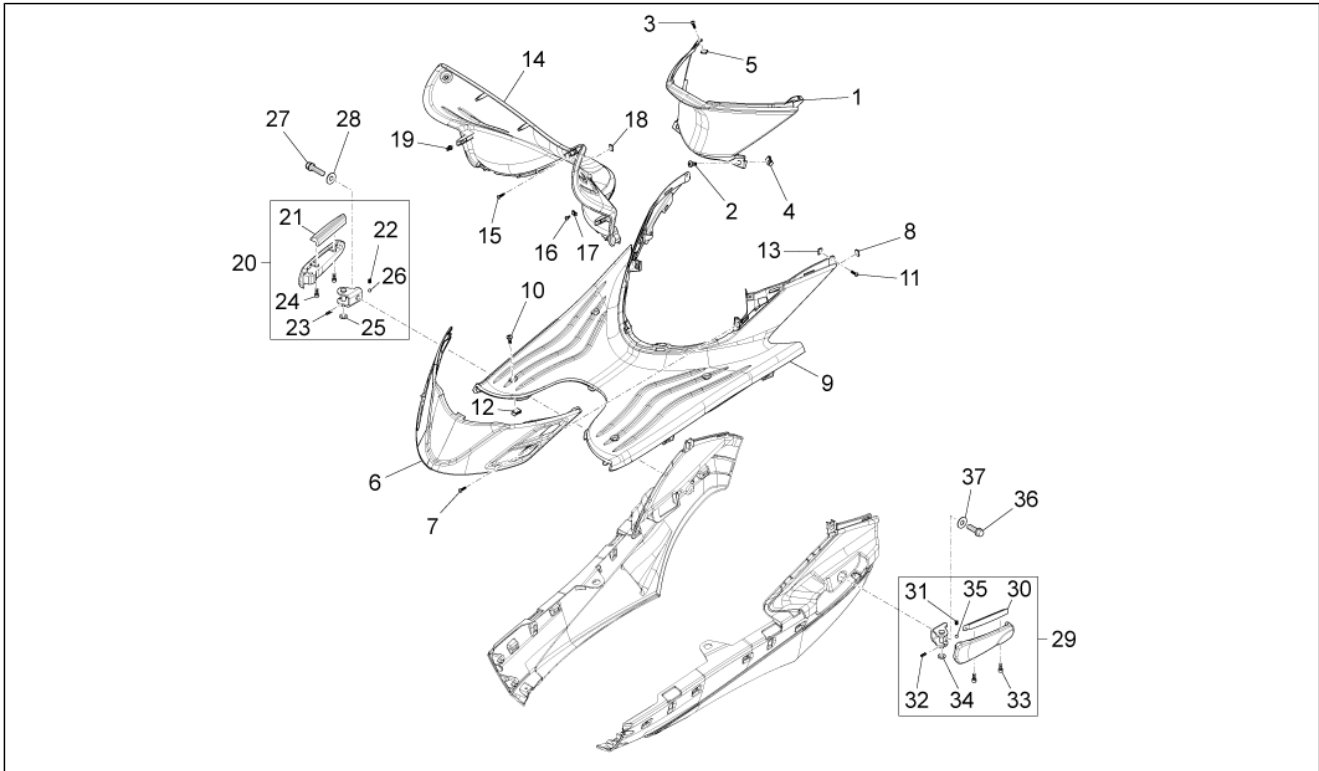
Pos.	Code	Description	Qty	Variants
				Colour:White[566] Country:Australia[AU] Country:Australia[AU] Colour:Titanium grey[798/B]
7		Self tapping screw D4.2x16	2	
8		Spring plate	2	
9		Footrest	1	Colour:Dragon Red 894[894] Country:Australia[AU] Colour:BLACK[79/A] Country:Australia[AU] Colour:Blue[222/A] Country:Australia[AU] Colour:Dragon Red 894[894] Country:China[CN] Colour:BLACK[79/A] Country:China[CN] Colour:Blue[222/A] Country:China[CN] Colour:White[566] Country:China[CN] Colour:White[566] Country:Australia[AU] Country:Australia[AU] Colour:Titanium grey[798/B]
10		Metric screw M6x22	4	
11		Self tapping screw D4.2x13	2	
12		Spring plate M6	4	
13		Spring plate	2	
14		Counter shield	1	Colour:Dragon Red 894[894] Country:Australia[AU] Colour:BLACK[79/A] Country:Australia[AU] Colour:Blue[222/A] Country:Australia[AU] Colour:Dragon Red 894[894]

Group	Frame - Plastic parts - Coachwork
Code	02.31
Description	Central cover - Footrests
Service	1



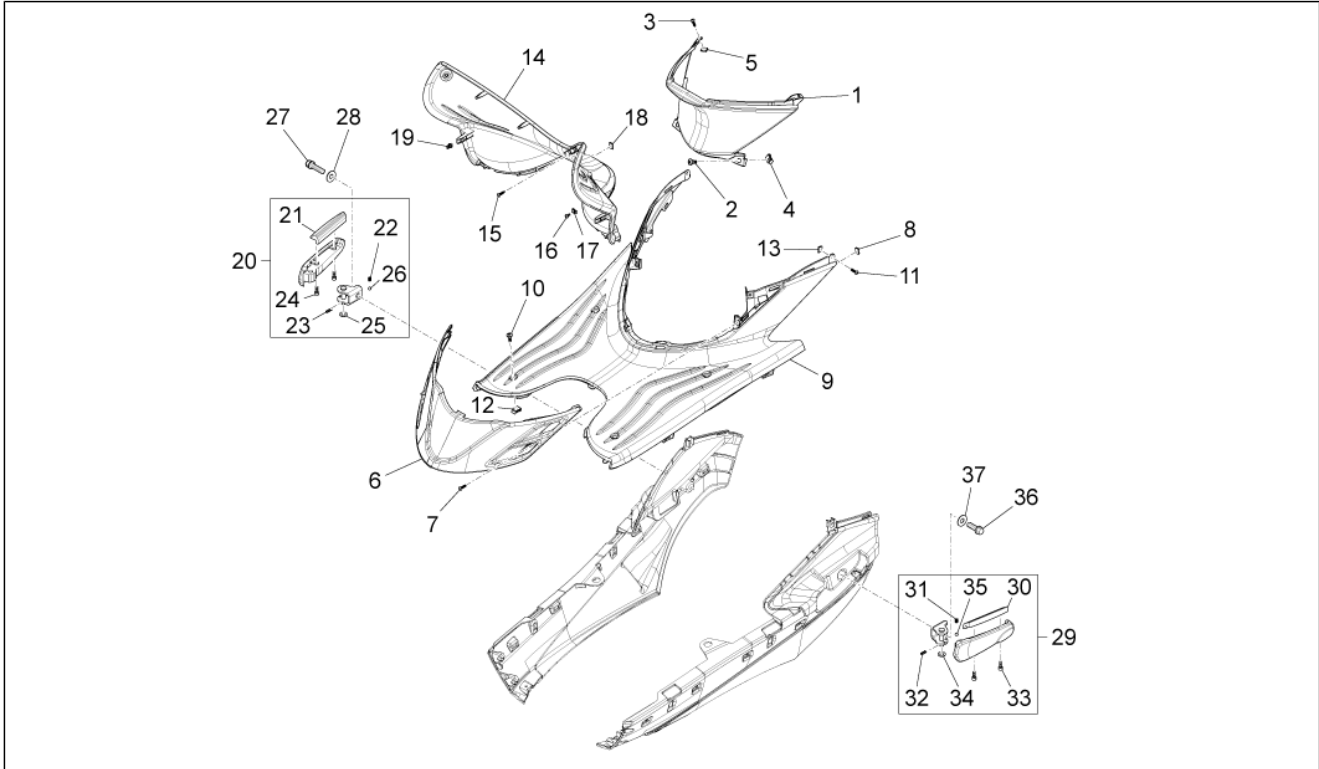
Pos.	Code	Description	Qty	Variants
				Country:China[CN] Colour:BLACK[79/A] Country:China[CN] Colour:Blue[222/A] Country:China[CN] Colour:White[566] Country:China[CN] Colour:White[566] Country:Australia[AU] Country:Australia[AU] Colour:Titanium grey[798/B]
15		Self tapping screw D4.2x16	4	
16		Screw M6x16	2	
17		Spring plate M6	2	
18		Spring plate	4	
19		Gripper clip	6	
20		Complete right passenger footrest	1	Colour:Dragon Red 894[894] Country:Australia[AU] Colour:BLACK[79/A] Country:Australia[AU] Colour:Blue[222/A] Country:Australia[AU] Colour:Dragon Red 894[894] Country:China[CN] Colour:BLACK[79/A] Country:China[CN] Colour:Blue[222/A] Country:China[CN] Colour:White[566] Country:China[CN] Colour:White[566] Country:Australia[AU] Country:Australia[AU] Colour:Titanium grey[798/B]
21		Rubber for right footrest	1	

Group	Frame - Plastic parts - Coachwork
Code	02.31
Description	Central cover - Footrests
Service	1



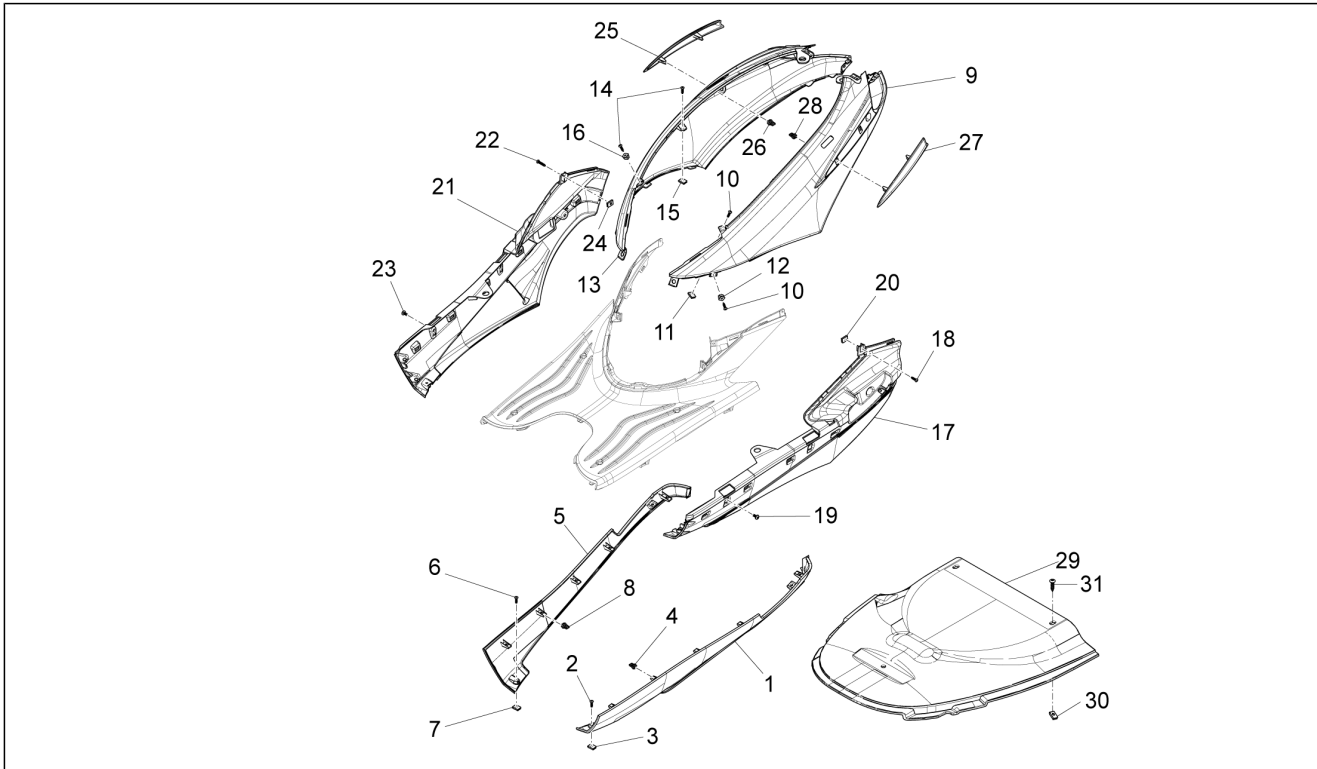
Pos.	Code	Description	Qty	Variants
22		Premisphere spring	1	
23		Elastic spring	1	
24		screw	2	
25		Flat washer 15x8,4x1,5	1	
26		Ball D6	1	
27		screw	1	
28		Washer	1	
29		Complete left passenger footrest	1	Colour: Dragon Red 894[894] Country: Australia[AU] Colour: BLACK[79/A] Country: Australia[AU] Colour: Blue[222/A] Country: Australia[AU] Colour: Dragon Red 894[894] Country: China[CN] Colour: BLACK[79/A] Country: China[CN] Colour: Blue[222/A] Country: China[CN] Colour: White[566] Country: China[CN] Colour: White[566] Country: Australia[AU] Country: Australia[AU] Colour: Titanium grey[798/B]
30		Rubber for left footrest	1	
31		Premisphere spring	1	
32		Elastic spring	1	
33		screw	2	
34		Flat washer 15x8,4x1,5	1	
35		Ball D6	1	
36		screw	1	

Group	Frame - Plastic parts - Coachwork
Code	02.31
Description	Central cover - Footrests
Service	1



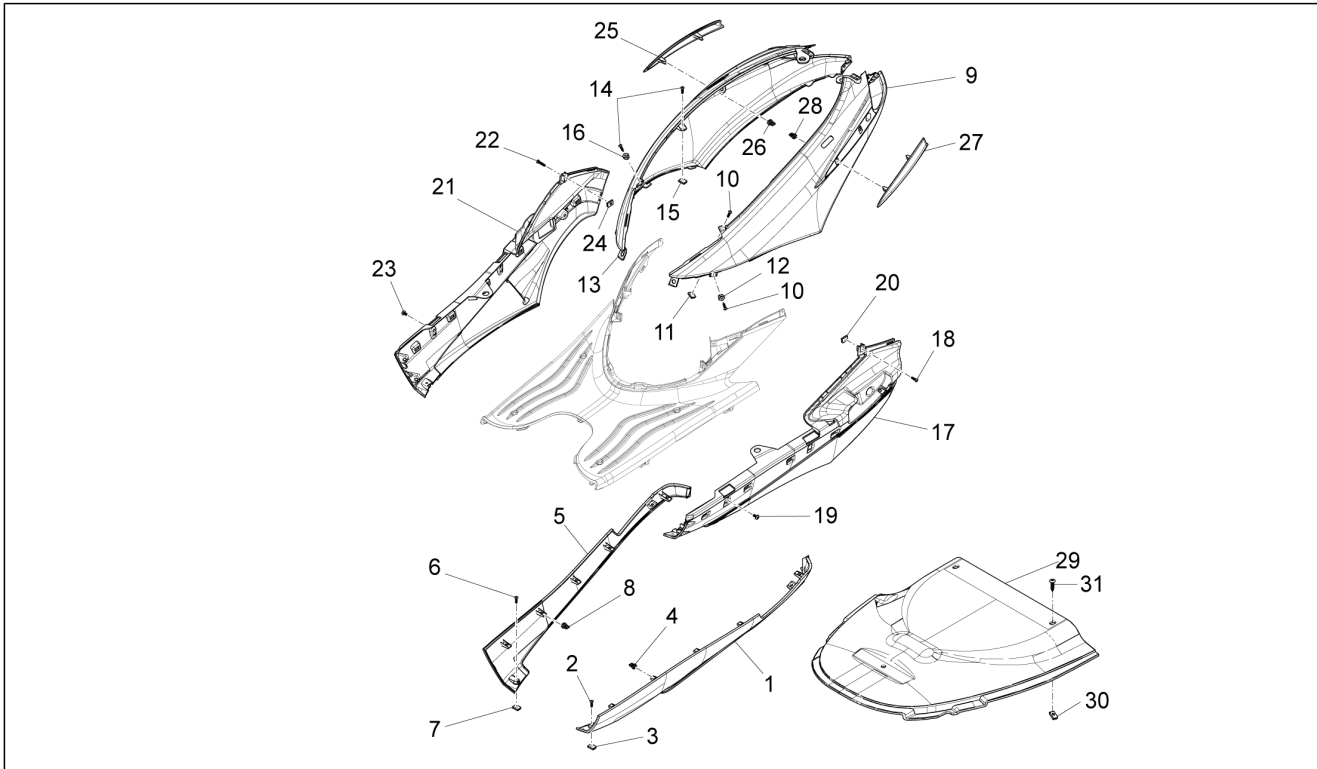
Pos.	Code	Description	Qty	Variants
37		Washer	1	

Group	Frame - Plastic parts - Coachwork
Code	02.32
Description	Side cover - Spoiler
Service	1



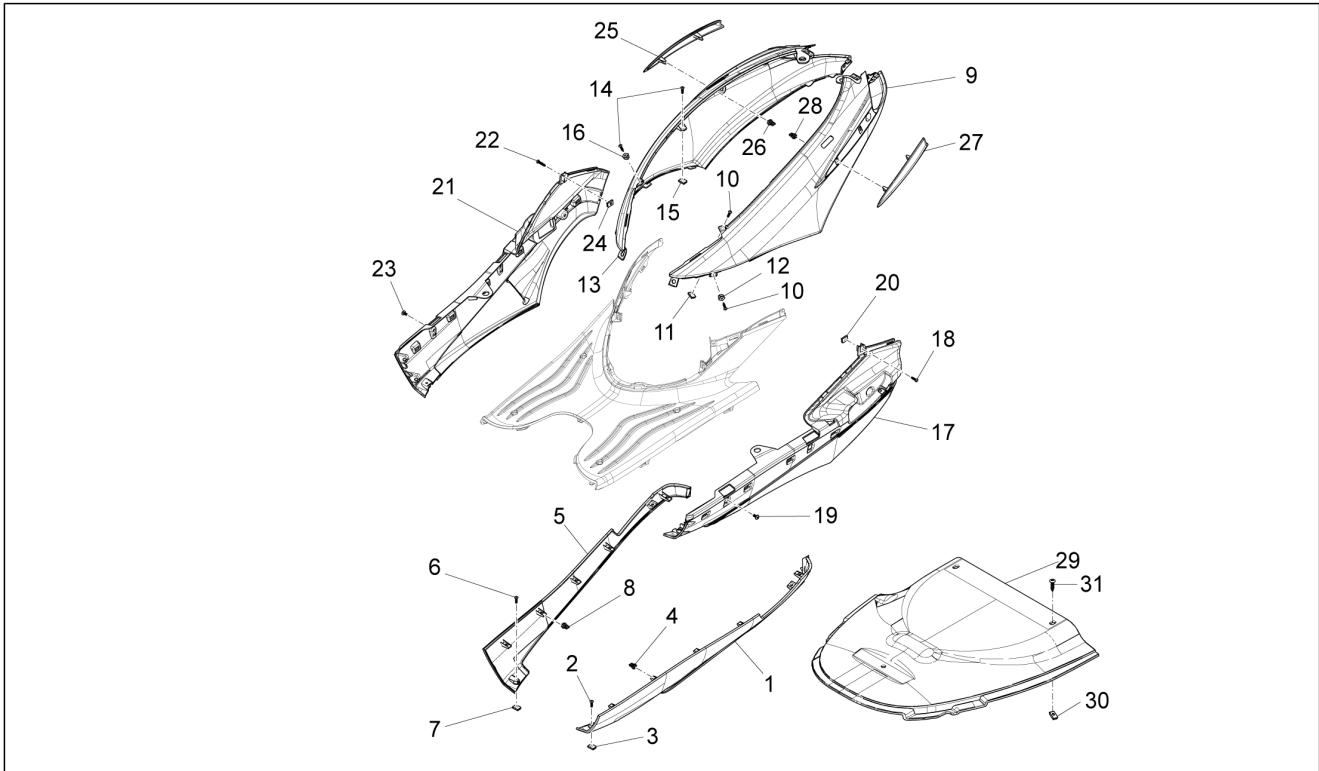
Pos.	Code	Description	Qty	Variants
1		Left spoiler cover	1	Country:Australia[AU] Colour:Titanium grey[798/B]
1		Left spoiler cover	1	
1		Left spoiler cover	1	Colour:Blue[222/A] Country:Australia[AU] Colour:Blue[222/A] Country:China[CN]
1		Left spoiler cover	1	Colour:BLACK[79/A] Country:Australia[AU] Colour:BLACK[79/A] Country:China[CN]
1		Left spoiler cover	1	Colour:Dragon Red 894[894] Country:Australia[AU] Colour:Dragon Red 894[894] Country:China[CN]
1		Left spoiler cover	1	Colour:White[566] Country:Australia[AU] Colour:White[566] Country:China[CN]
2		Self tapping screw D4.2x16	1	
3		Spring plate	1	
4		Gripper clip	5	
5		Right spoiler cover	1	Colour:Blue[222/A] Country:Australia[AU] Colour:Blue[222/A] Country:China[CN]
5		Right spoiler cover	1	Colour:Dragon Red 894[894] Country:Australia[AU] Colour:Dragon Red 894[894] Country:China[CN]
5		Right spoiler cover	1	Colour:White[566] Country:Australia[AU] Colour:White[566] Country:China[CN]

Group	Frame - Plastic parts - Coachwork
Code	02.32
Description	Side cover - Spoiler
Service	1



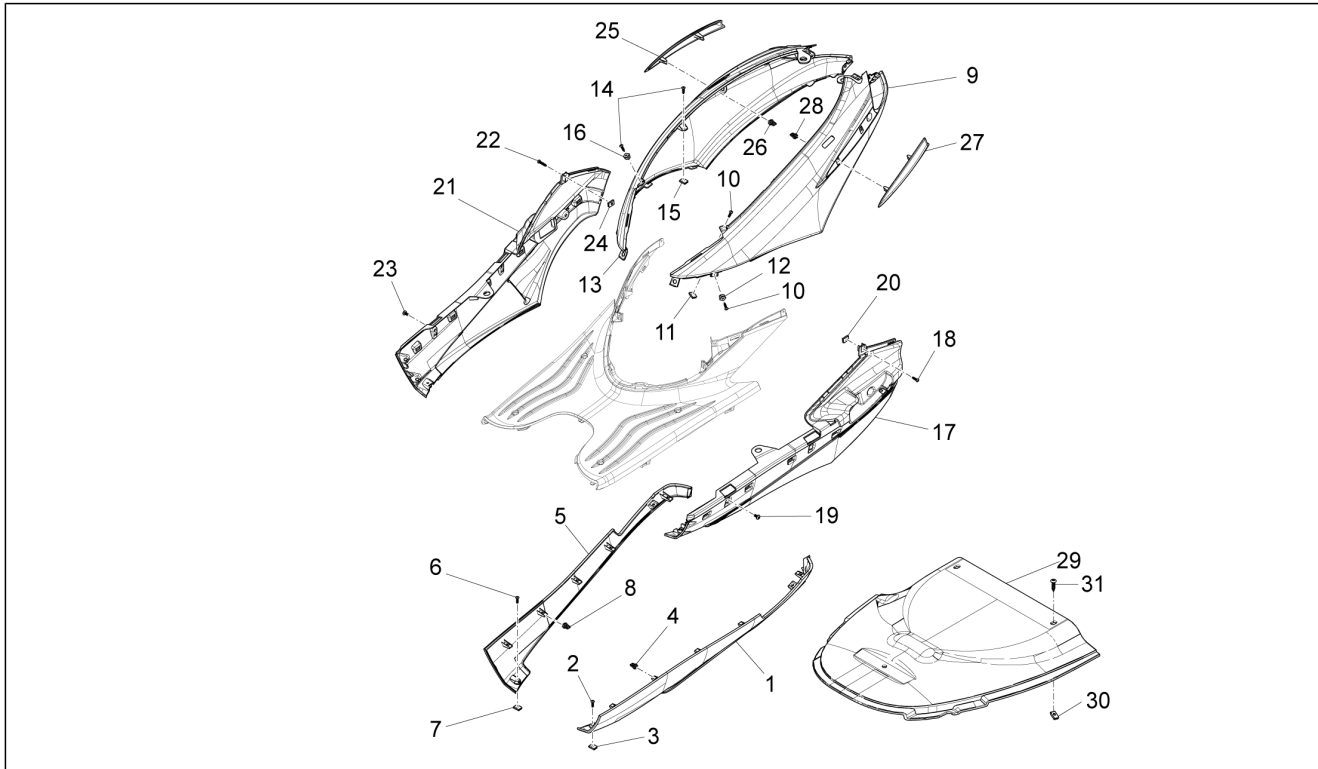
Pos.	Code	Description	Qty	Variants
5		Right spoiler cover	1	
5		Right spoiler cover	1	Colour:BLACK[79/A] Country:Australia[AU] Colour:Blue[222/A] Country:China[CN]
5		Right spoiler cover	1	Country:Australia[AU] Colour:Titanium grey[798/B]
6		Self tapping screw D4.2x16	1	
7		Spring plate	1	
8		Gripper clip	5	
9		Rear body side l.h.	1	Colour:Blue[222/A] Country:Australia[AU] Colour:Blue[222/A] Country:China[CN]
9		Rear body side l.h.	1	
9		Rear body side l.h.	1	Country:Australia[AU] Colour:Titanium grey[798/B]
9		Rear body side l.h.	1	Colour:White[566] Country:Australia[AU] Colour:White[566] Country:China[CN]
9		Rear body side l.h.	1	Colour:BLACK[79/A] Country:Australia[AU] Colour:BLACK[79/A] Country:China[CN]
9		Rear body side l.h.	1	Colour:Dragon Red 894[894] Country:Australia[AU] Colour:Dragon Red 894[894] Country:China[CN]
10		Self tapping screw D4.2x16	3	
11		Spring plate	2	
12		Expansion plug	1	

Group	Frame - Plastic parts - Coachwork
Code	02.32
Description	Side cover - Spoiler
Service	1



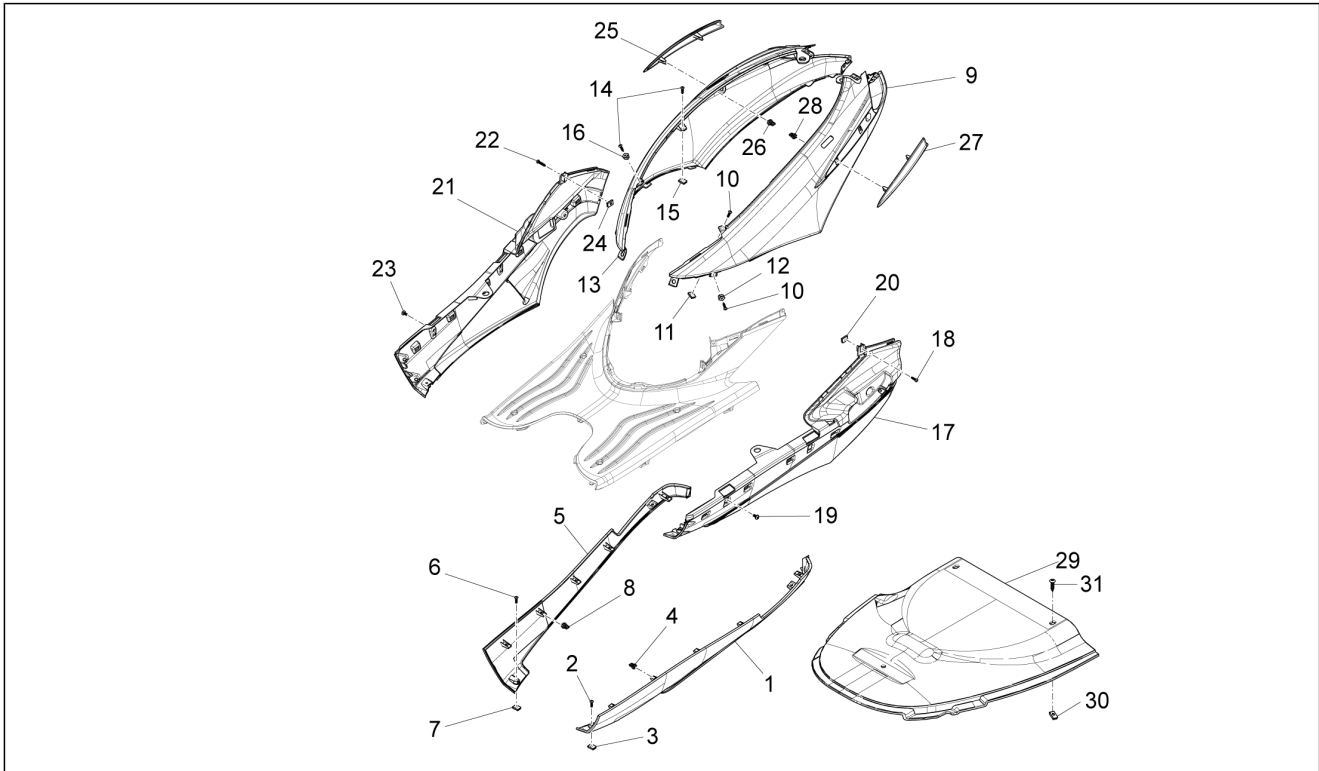
Pos.	Code	Description	Qty	Variants
13		Rear body side r.h.	1	
13		Rear body side r.h.	1	Colour:BLACK[79/A] Country:Australia[AU] Colour:BLACK[79/A] Country:China[CN]
13		Rear body side r.h.	1	Colour:Blue[222/A] Country:Australia[AU] Colour:Blue[222/A] Country:China[CN]
13		Rear body side r.h.	1	Country:Australia[AU] Colour:Titanium grey[798/B]
13		Rear body side r.h.	1	Colour:White[566] Country:Australia[AU] Colour:White[566] Country:China[CN]
13		Rear body side r.h.	1	Colour:Dragon Red 894[894] Country:Australia[AU] Colour:Dragon Red 894[894] Country:China[CN]
14		Self tapping screw D4.2x16	3	
15		Spring plate	2	
16		Expansion plug	1	
17		LH spoiler, black	1	Colour:Dragon Red 894[894] Country:Australia[AU] Colour:BLACK[79/A] Country:Australia[AU] Colour:Blue[222/A] Country:Australia[AU] Colour:Dragon Red 894[894] Country:China[CN] Colour:BLACK[79/A] Country:China[CN] Colour:Blue[222/A] Country:China[CN]

Group	Frame - Plastic parts - Coachwork
Code	02.32
Description	Side cover - Spoiler
Service	1



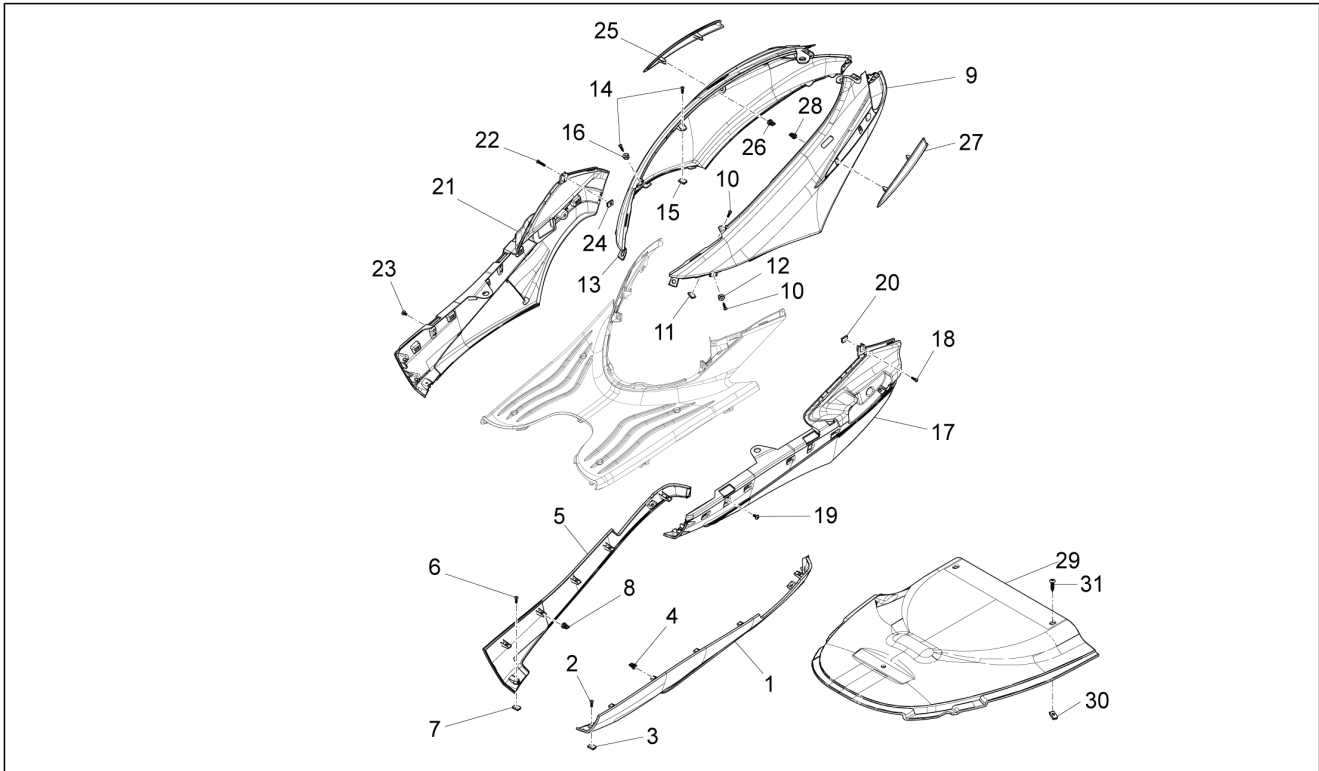
Pos.	Code	Description	Qty	Variants
				Colour:White[566] Country:China[CN] Colour:White[566] Country:Australia[AU] Country:Australia[AU] Colour:Titanium grey[798/B]
18		Self tapping screw D4.2x16	5	
19		screw	1	
20		Spring plate	5	
21		RH spoiler, black	1	Colour:Dragon Red 894[894] Country:Australia[AU] Colour:BLACK[79/A] Country:Australia[AU] Colour:Blue[222/A] Country:Australia[AU] Colour:Dragon Red 894[894] Country:China[CN] Colour:BLACK[79/A] Country:China[CN] Colour:Blue[222/A] Country:China[CN] Colour:White[566] Country:China[CN] Colour:White[566] Country:Australia[AU] Country:Australia[AU] Colour:Titanium grey[798/B]
22		Self tapping screw D4.2x16	5	
23		screw	1	
24		Spring plate	5	
25		RH bumper, black	1	Colour:Dragon Red 894[894] Country:Australia[AU] Colour:BLACK[79/A] Country:Australia[AU] Colour:Blue[222/A]

Group	Frame - Plastic parts - Coachwork
Code	02.32
Description	Side cover - Spoiler
Service	1



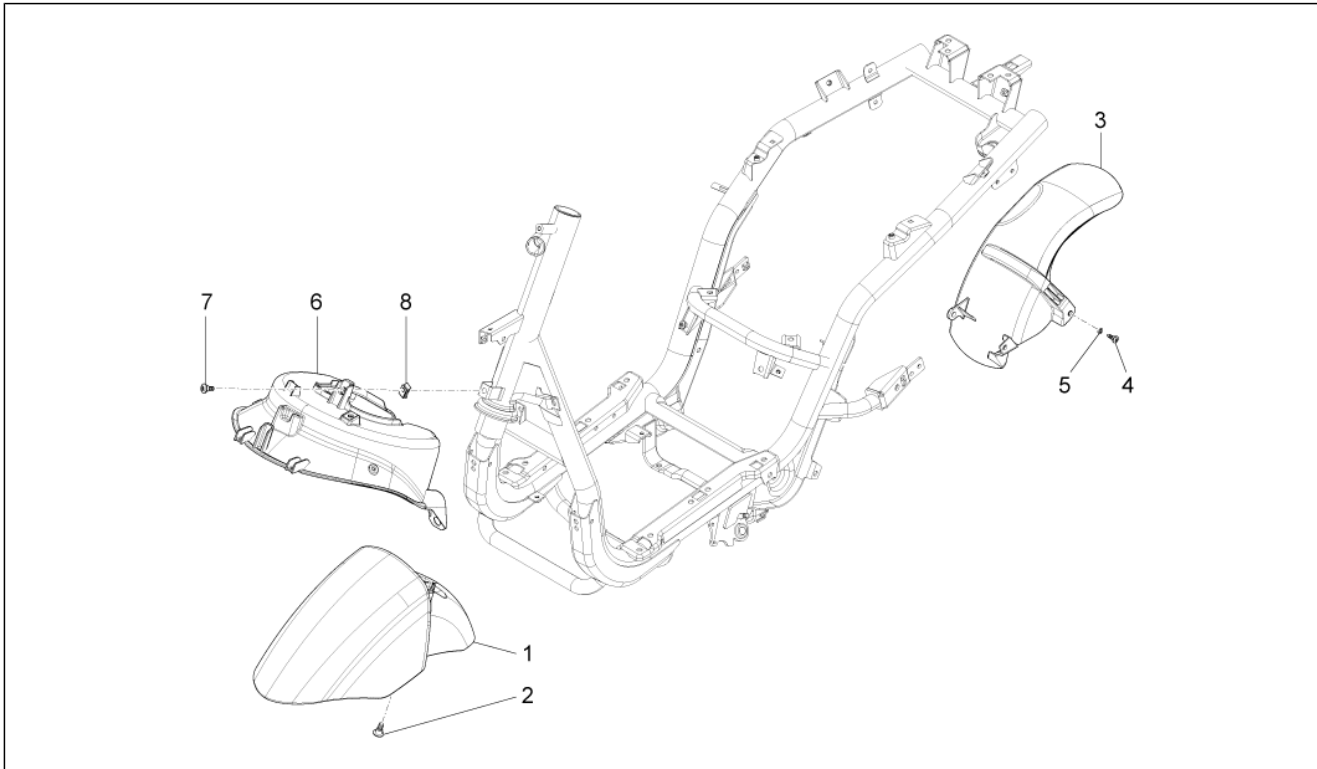
Pos.	Code	Description	Qty	Variants
				Country: Australia[AU] Colour: Dragon Red 894[894] Country: China[CN] Colour: BLACK[79/A] Country: China[CN] Colour: Blue[222/A] Country: China[CN] Colour: White[566] Country: China[CN] Colour: White[566] Country: Australia[AU] Country: Australia[AU] Colour: Titanium grey[798/B]
26		Gripper clip	2	
27		LH bumper, black	1	Colour: White[566] Country: Australia[AU] Colour: Dragon Red 894[894] Country: Australia[AU] Colour: Blue[222/A] Country: Australia[AU] Colour: BLACK[79/A] Country: Australia[AU] Colour: Dragon Red 894[894] Country: China[CN] Colour: Blue[222/A] Country: China[CN] Colour: BLACK[79/A] Country: China[CN] Colour: White[566] Country: China[CN]
28		Gripper clip	2	
29		Lower spoiler closure	1	Colour: Dragon Red 894[894] Country: China[CN] Colour: BLACK[79/A] Country: China[CN] Colour: Blue[222/A]

Group	Frame - Plastic parts - Coachwork
Code	02.32
Description	Side cover - Spoiler
Service	1



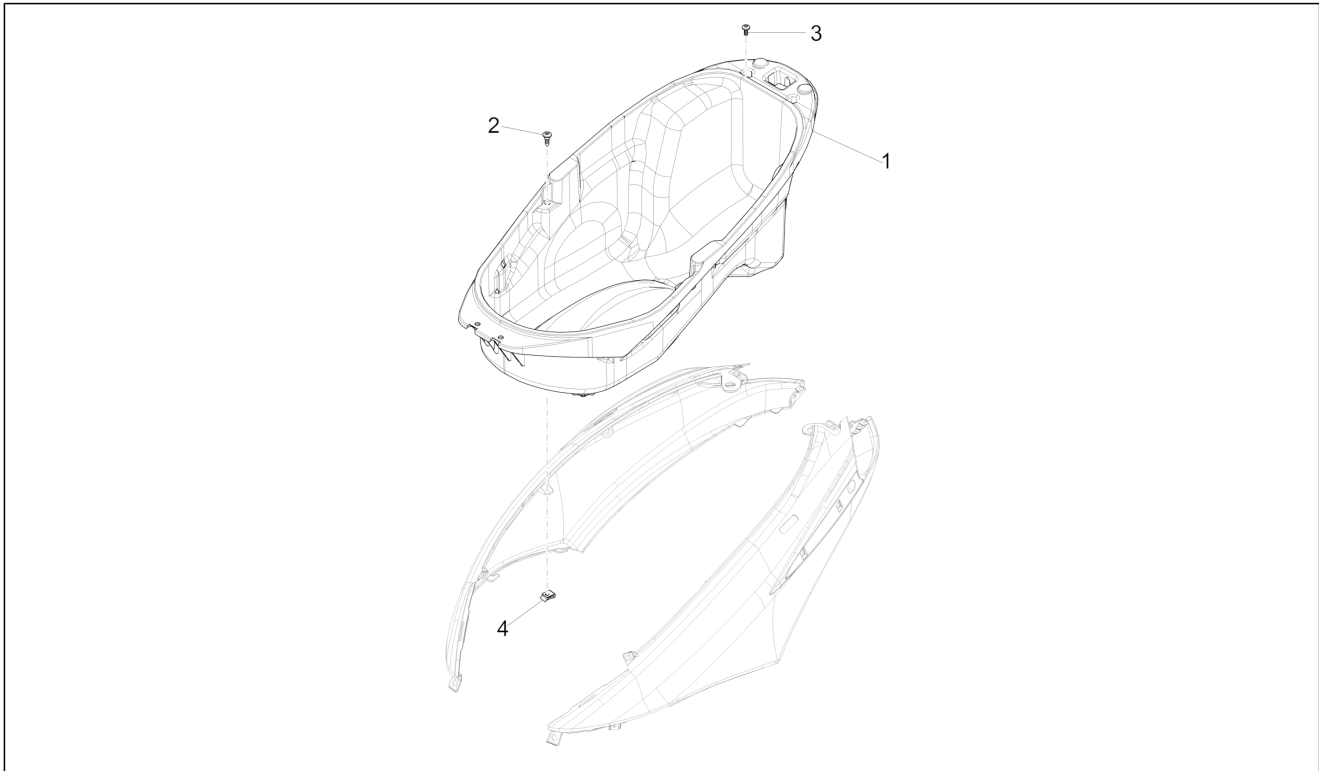
Pos.	Code	Description	Qty	Variants
				Country:China[CN] Colour:White[566] Country:China[CN]
29		Lower spoiler closure	1	
30		Spring plate M6	1	
31		Screw M6x16	3	

Group	Frame - Plastic parts - Coachwork
Code	02.33
Description	Wheel huosing - Mudguard
Service	1



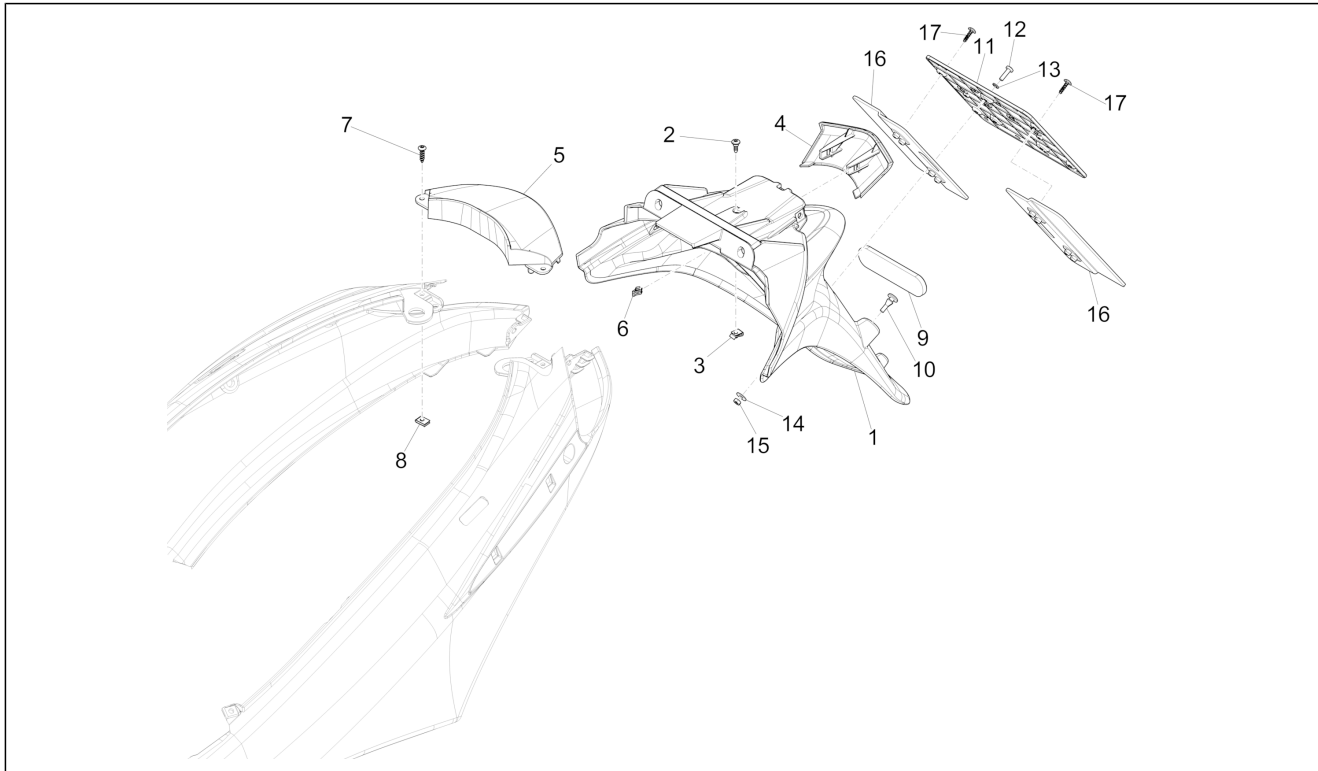
Pos.	Code	Description	Qty	Variants
1		Front mudguard	1	Colour:White[566] Country:Australia[AU] Colour:White[566] Country:China[CN]
1		Front mudguard	1	Colour:BLACK[79/A] Country:Australia[AU] Colour:BLACK[79/A] Country:China[CN]
1		Front mudguard	1	Country:Australia[AU] Colour:Titanium grey[798/B]
1		Front mudguard	1	Colour:Blue[222/A] Country:Australia[AU] Colour:Blue[222/A] Country:China[CN]
1		Front mudguard	1	
1		Front mudguard	1	Colour:Dragon Red 894[894] Country:Australia[AU] Colour:Dragon Red 894[894] Country:China[CN]
2		Metric screw M6x22	3	
3		Rear mudguard	1	
4		Metric screw TBC	1	
5		Spring washer	1	
6		Wheel compartment	1	
7		screw	1	
8		Spring plate M6	1	

Group	Frame - Plastic parts - Coachwork
Code	02.34
Description	Helmet huosing - Undersaddle
Service	1



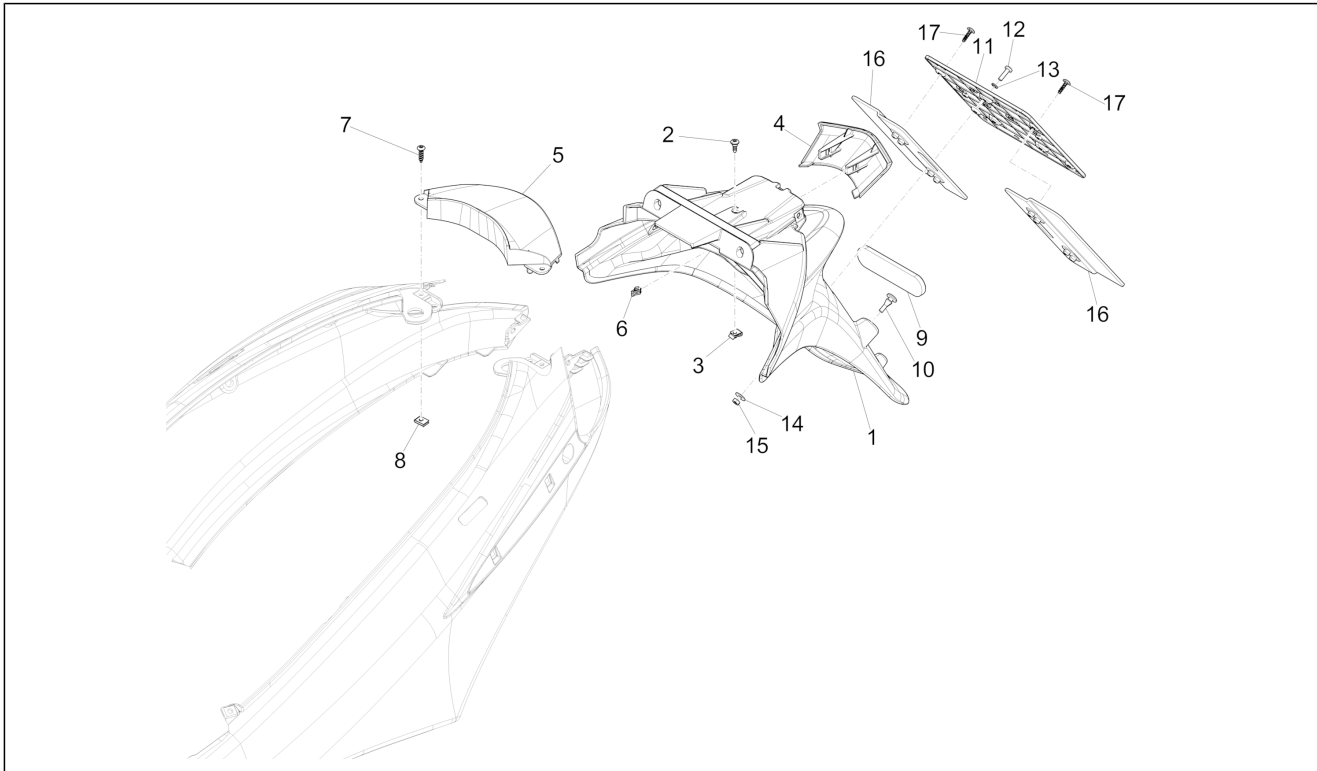
Pos.	Code	Description	Qty	Variants
1		Helmet compartment	1	Country:China[CN]
1		Helmet compartment	1	Country:Australia[AU]
2		Metric screw M6x22	4	
3		Screw M6x16	2	
4		Spring plate M6	4	

Group	Frame - Plastic parts - Coachwork
Code	02.37
Description	Rear cover - Splash guard
Service	1



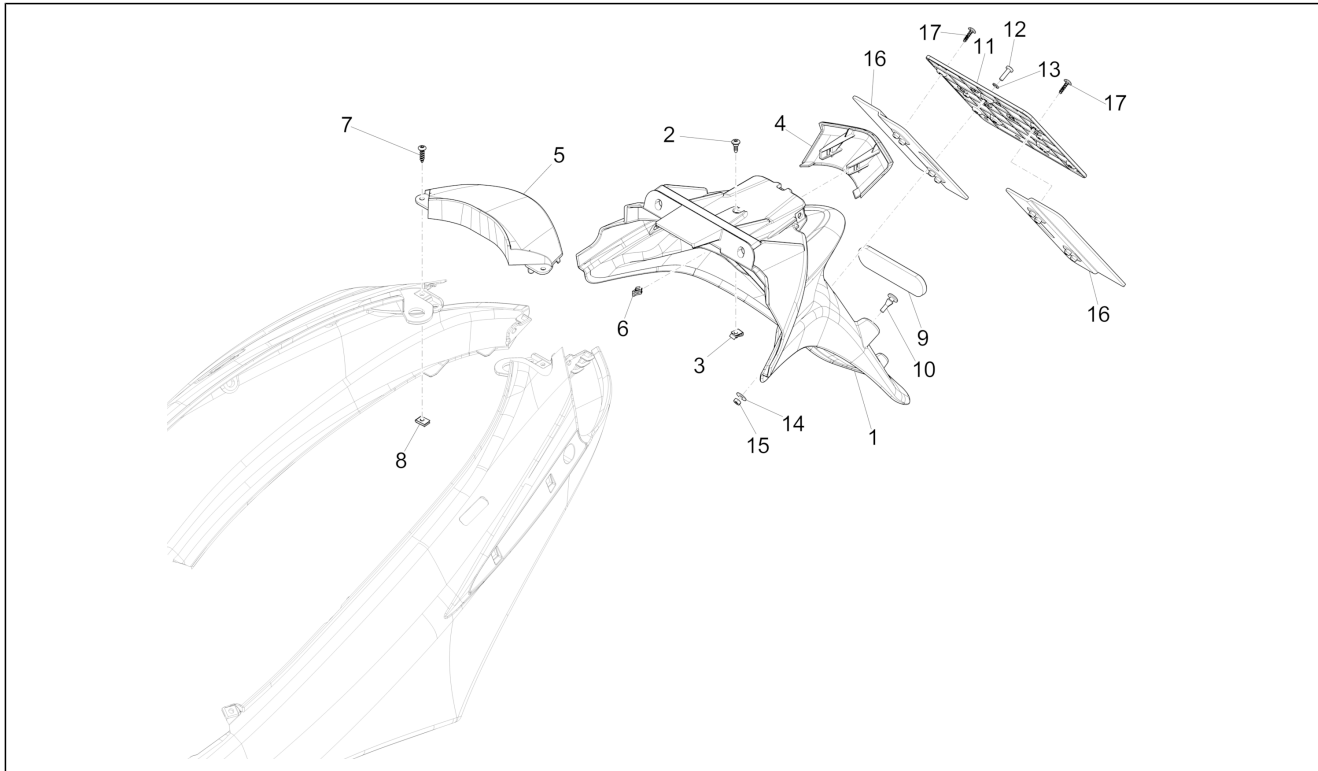
Pos.	Code	Description	Qty	Variants
1		Rear splash guard	1	Colour:Dragon Red 894[894] Country:Australia[AU] Colour:BLACK[79/A] Country:Australia[AU] Colour:Blue[222/A] Country:Australia[AU] Colour:White[566] Country:Australia[AU] Country:Australia[AU] Colour:Titanium grey[798/B]
1		Rear splash guard	1	Colour:Dragon Red 894[894] Country:China[CN] Colour:BLACK[79/A] Country:China[CN] Colour:Blue[222/A] Country:China[CN] Colour:White[566] Country:China[CN]
1		Rear splash guard	1	Colour:Dragon Red 894[894] Country:China[CN] Colour:BLACK[79/A] Country:China[CN] Colour:Blue[222/A] Country:China[CN] Colour:White[566] Country:China[CN]
2		Metric screw M6x22	3	
3		Spring plate M6	1	
4		Lower side union	1	Colour:White[566] Country:Australia[AU] Colour:White[566] Country:China[CN]
4		Lower side union	1	Colour:Dragon Red 894[894] Country:Australia[AU] Colour:Dragon Red 894[894] Country:China[CN]

Group	Frame - Plastic parts - Coachwork
Code	02.37
Description	Rear cover - Splash guard
Service	1



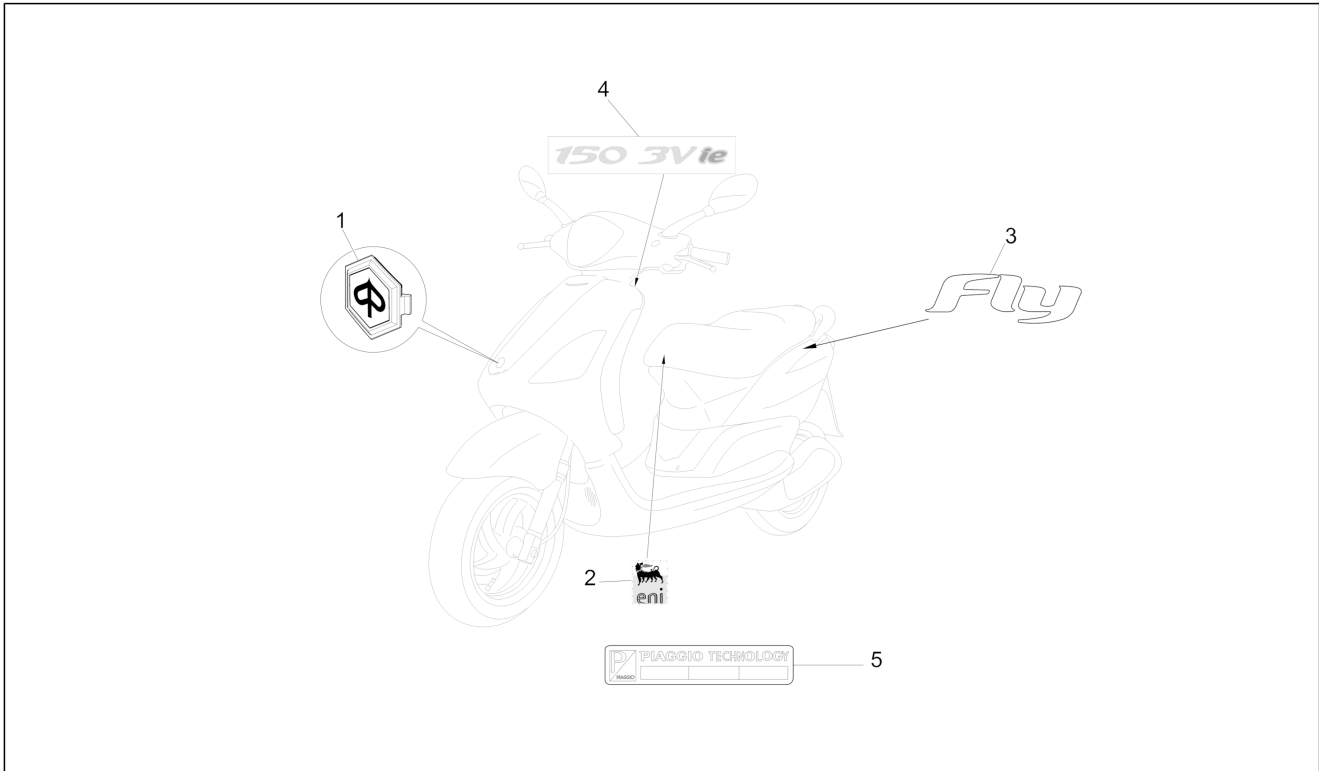
Pos.	Code	Description	Qty	Variants
4		Lower side union	1	
4		Lower side union	1	Country:Australia[AU] Colour:Titanium grey[798/B]
4		Lower side union	1	Colour:BLACK[79/A] Country:Australia[AU] Colour:BLACK[79/A] Country:China[CN]
4		Lower side union	1	Colour:Blue[222/A] Country:Australia[AU] Colour:Blue[222/A] Country:China[CN]
5		Upper side union	1	
5		Upper side union	1	Colour:Blue[222/A] Country:Australia[AU] Colour:Blue[222/A] Country:China[CN]
5		Upper side union	1	Colour:BLACK[79/A] Country:Australia[AU] Colour:BLACK[79/A] Country:China[CN]
5		Upper side union	1	Colour:White[566] Country:Australia[AU] Colour:White[566] Country:China[CN]
5		Upper side union	1	Country:Australia[AU] Colour:Titanium grey[798/B]
5		Upper side union	1	Colour:Dragon Red 894[894] Country:Australia[AU] Colour:Dragon Red 894[894] Country:China[CN]
6		Gripper clip	2	
7		Self tapping screw D4.2x16	2	
8		Spring plate	2	

Group	Frame - Plastic parts - Coachwork
Code	02.37
Description	Rear cover - Splash guard
Service	1



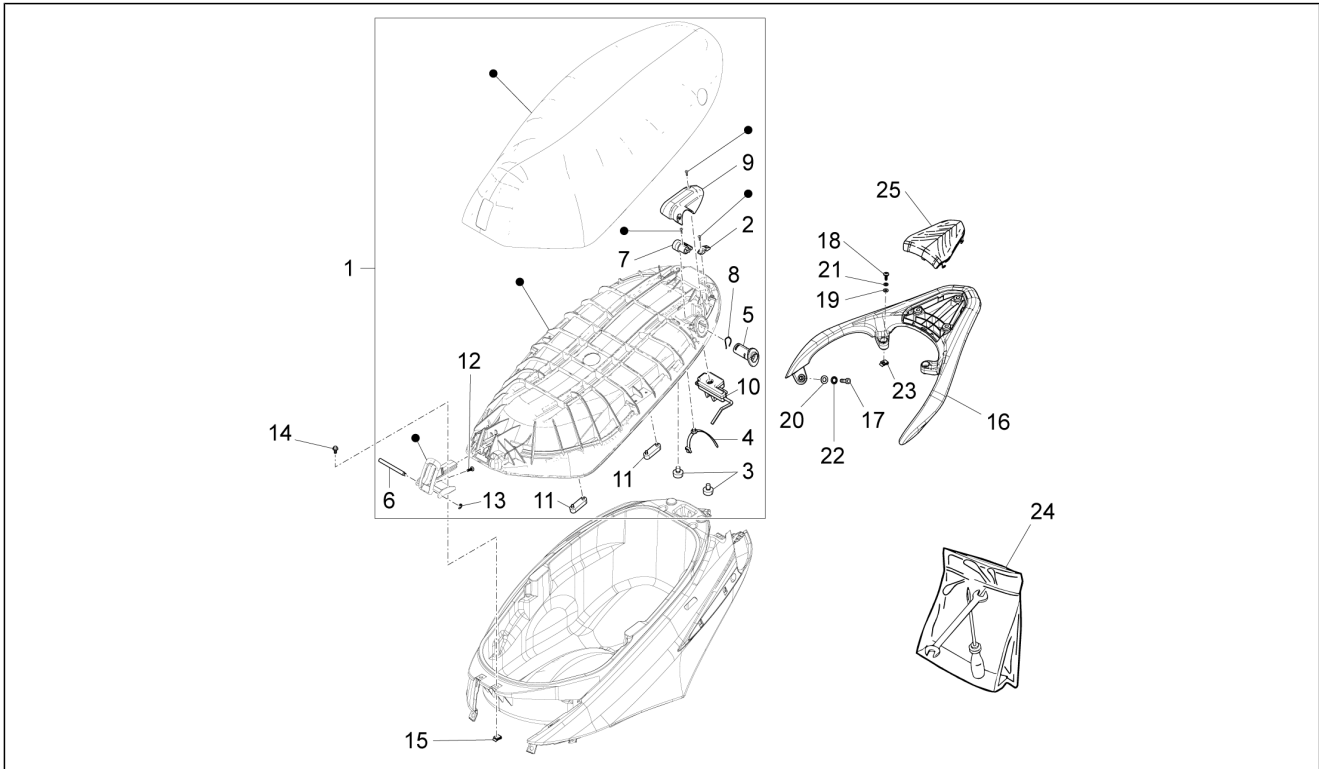
Pos.	Code	Description	Qty	Variants
9		Rear retroreflector	1	Country:Australia[AU]
9		Rear retroreflector	1	Country:China[CN]
10		Pad	2	
11		License plate	1	
11		License plate	1	Country:China[CN] Colour:Dragon Red 894[894] Country:China[CN] Colour:BLACK[79/A] Country:China[CN] Colour:Blue[222/A] Country:China[CN] Colour:White[566] Country:China[CN]
12		screw M4x14	3	
13		Washer	3	
14		Flat washer 4,2x7,6x0,9	3	
15		Nut M4	3	
16		Number-plate extension	2	Country:Australia[AU]
17		screw	4	

Group	Frame - Plastic parts - Coachwork
Code	02.38
Description	Plates - Emblems
Service	1



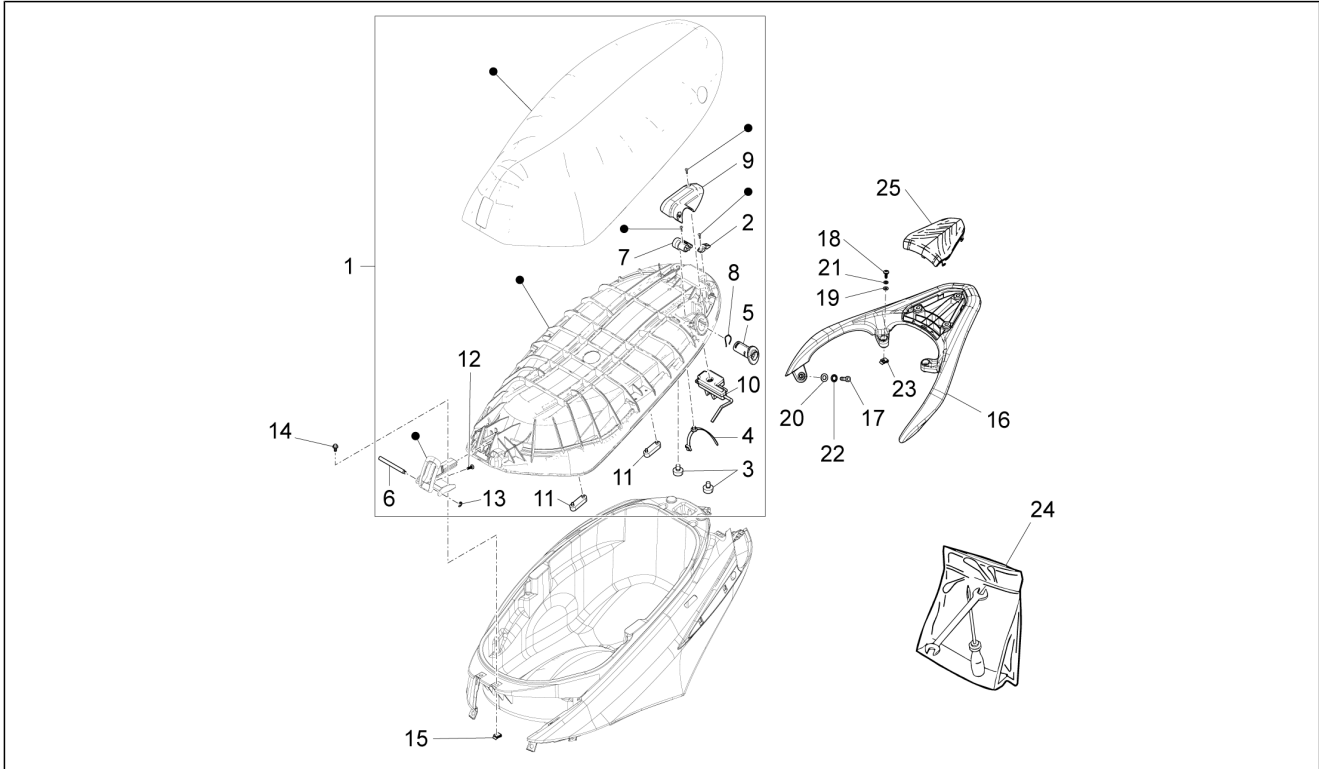
Pos.	Code	Description	Qty	Variants
1		Piaggio shield	1	
2		""Eni"" label"	2	
3		"Fly" plate	2	
4		Name plate "150 3V IE"	2	
5		Name plate "Piaggio Technology"	1	

Group	Frame - Plastic parts - Coachwork
Code	02.39
Description	Saddle/seats
Service	1



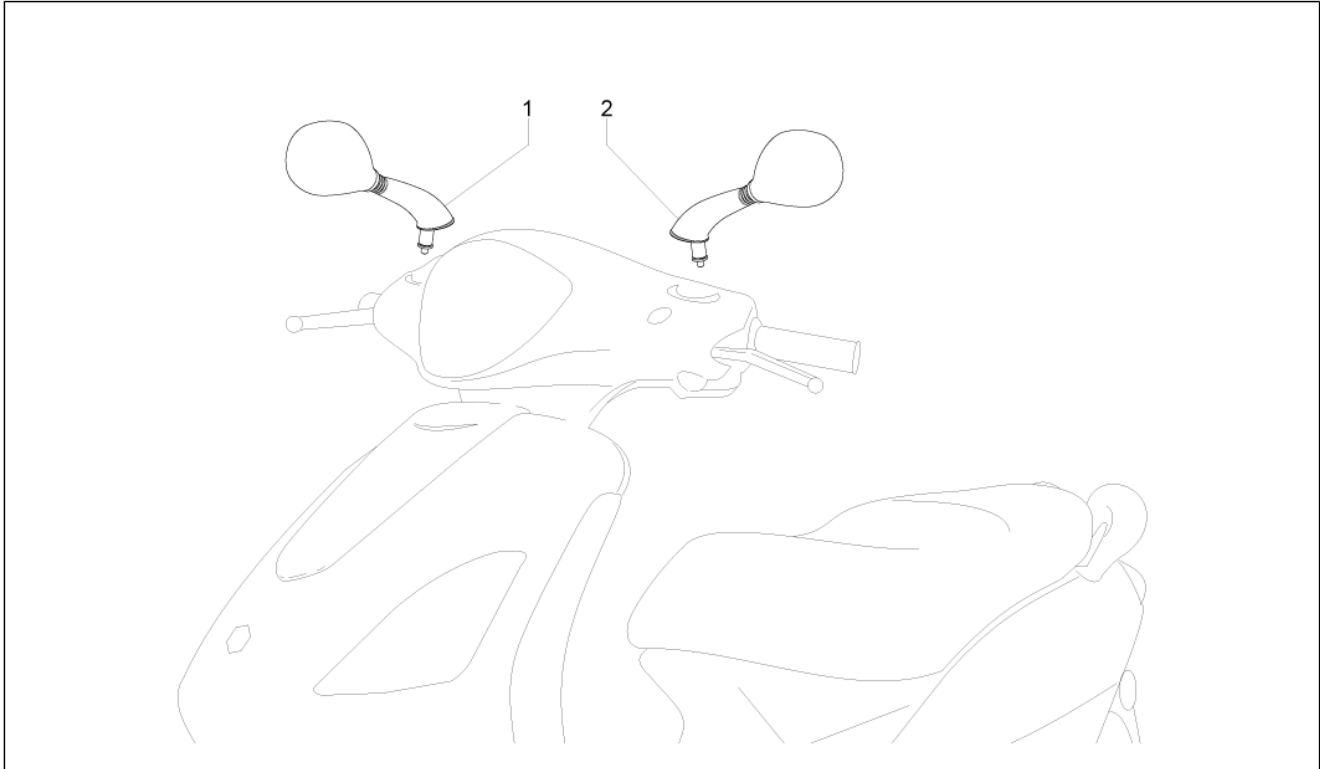
Pos.	Code	Description	Qty	Variants
1		New Fly complete seat	1	Country:Australia[AU]
1		Saddle assembly black	1	Country:China[CN]
2		Bracket	1	
3		Pad	2	
4		Hose clamp	1	
5		Lock body	1	
6		Pin	1	
7		Cam	1	
8		Spring	1	
9		Complete tightening cover	1	
10		Saddle lock	1	
11		Stop buffer	2	
12		Self-tap screw	1	
13		Snap ring	1	
14		Screw w/ flange M6x14	2	
15		Spring plate M6	2	
16		Rear luggage rack	1	
17		Hex socket screw	2	
18		Screw metrica	2	
19		Flat washer 6,4x12x1	2	
20		Flat washer 15x8,4x1,5	2	
21		Notched washer 6,6x11x0	2	
22		Notched washer 14x8,3x1,8	2	
23		Spring plate M6	2	
24		Tool set, standard l/jack	1	Country:China[CN]
24		Tool set, standard l/jack	1	Country:Australia[AU]
25		Rear carrie cover	1	Colour:Dragon Red 894[894] Country:Australia[AU] Colour:BLACK[79/A]

Group	Frame - Plastic parts - Coachwork
Code	02.39
Description	Saddle/seats
Service	1



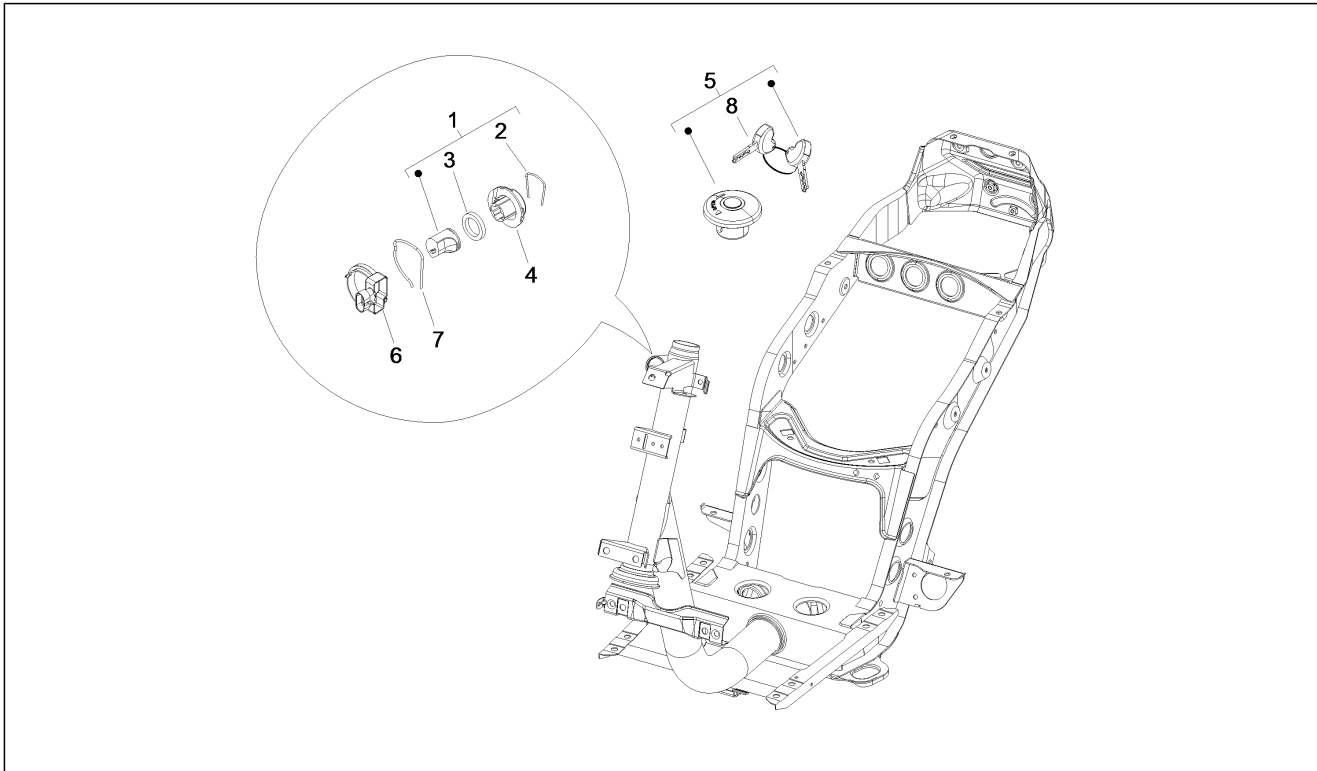
Pos.	Code	Description	Qty	Variants
				Country: Australia[AU] Colour: Blue[222/A] Country: Australia[AU] Colour: Dragon Red 894[894] Country: China[CN] Colour: BLACK[79/A] Country: China[CN] Colour: Blue[222/A] Country: China[CN] Colour: White[566] Country: China[CN] Colour: White[566] Country: Australia[AU] Country: Australia[AU] Colour: Titanium grey[798/B]

Group	Frame - Plastic parts - Coachwork
Code	02.45
Description	Driving mirror/s
Service	1



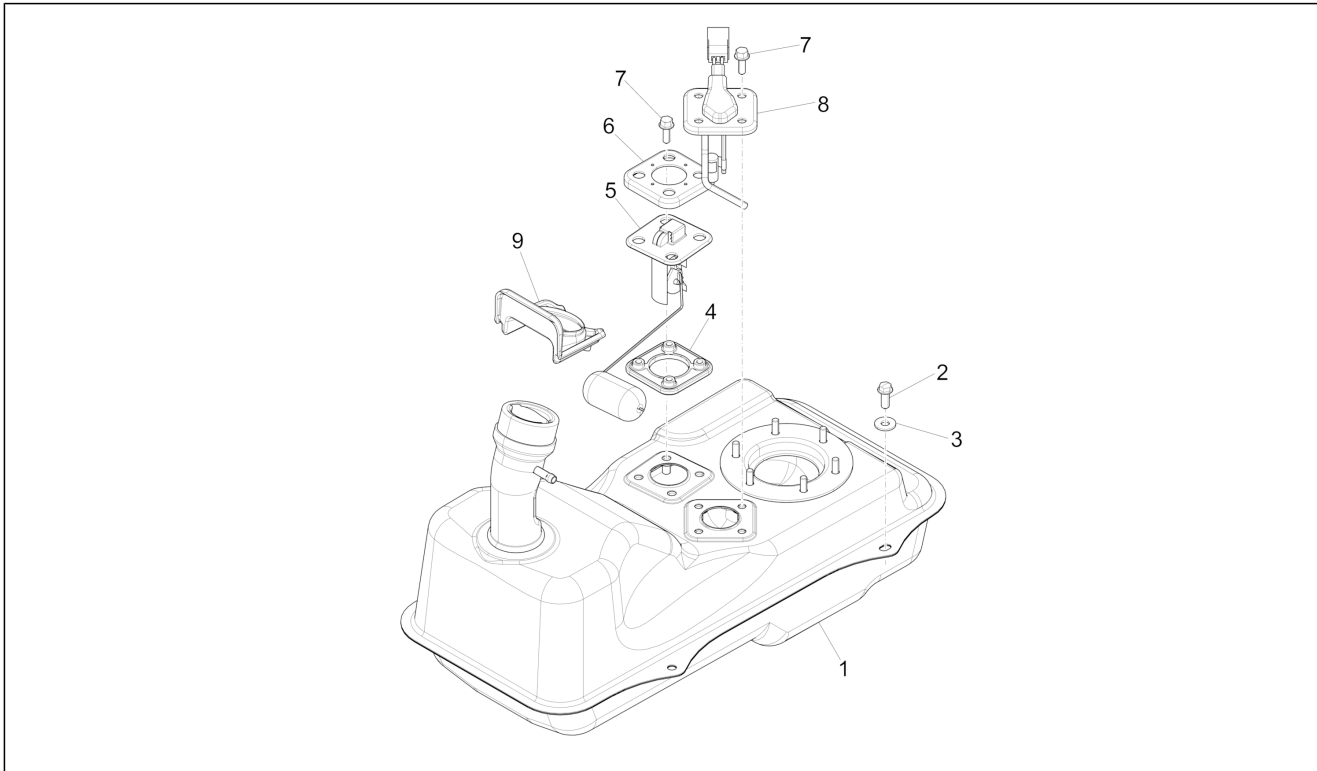
Pos.	Code	Description	Qty	Variants
1		Right-hand rearview mir.	1	
2		Left-hand rearview mir.	1	

Group	Frame - Plastic parts - Coachwork
Code	02.46
Description	Locks
Service	1



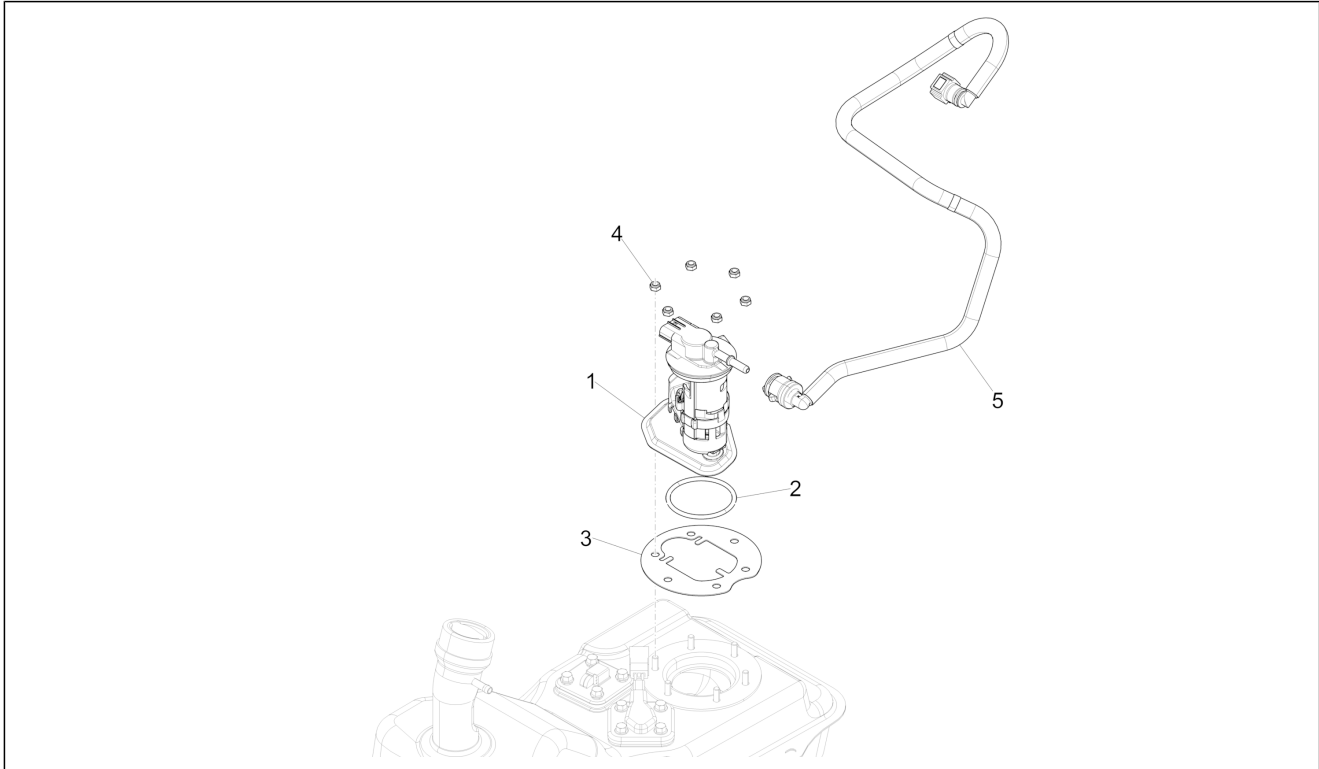
Pos.	Code	Description	Qty	Variants
1		Complete lock block	1	
2		Cylinder retainer spring	1	
3		Flat washer	1	
4		Lock body	1	
5		Locks, assy	1	
6		Immobilizer antenna	1	
7		Spring	1	
8		Hewn key with trasponder	1	

Group	Frame - Plastic parts - Coachwork
Code	02.47
Description	Fuel tank
Service	1



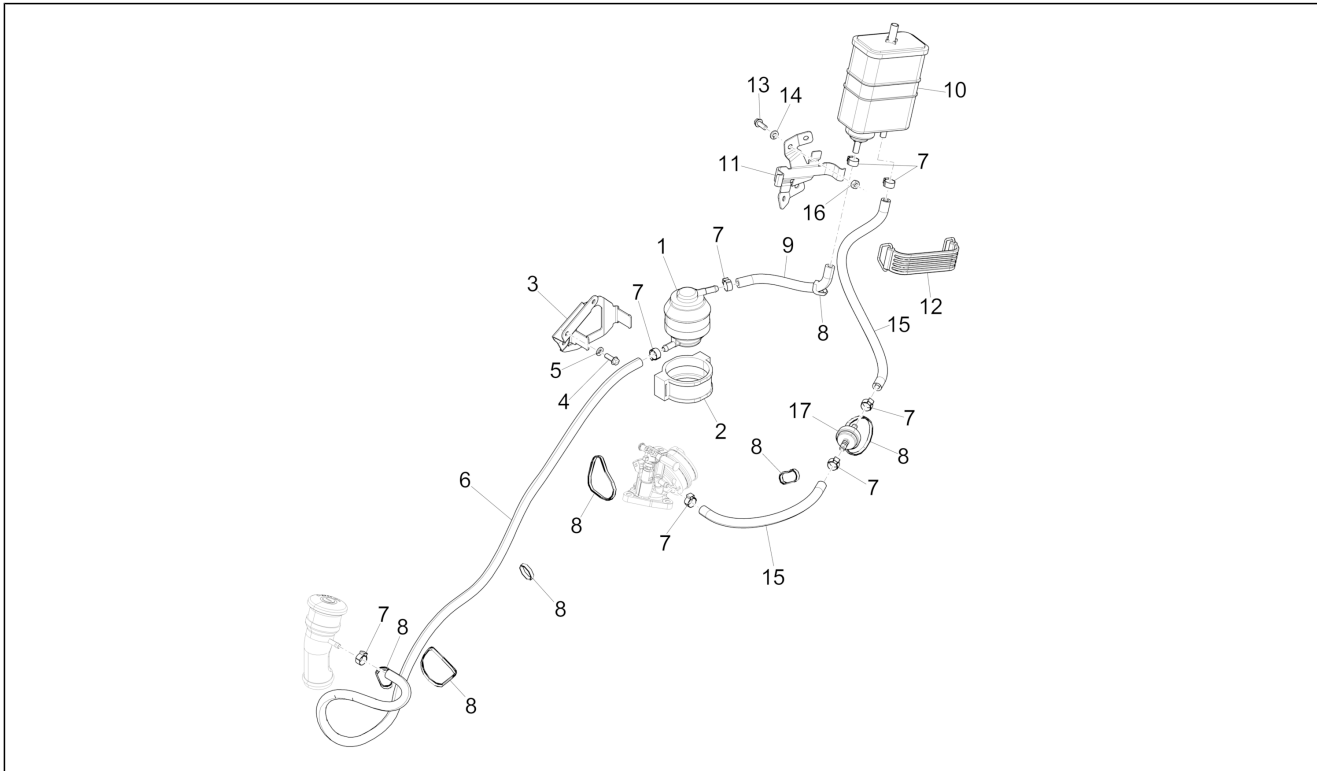
Pos.	Code	Description	Qty	Variants
1		Tank	1	Country:Australia[AU]
1		Fuel tank with i.p.	1	Country:China[CN]
2		Screw w/ flange M6x16	4	
3		Flat washer 16x6,5x1,5	4	
4		Gasket	1	
5		Level gauge	1	
6		Indicator lock flange	1	
7		Screw w/ flange M5x16	8	
8		Fuel reserve sensor	1	
9		Fuel recovery tank	1	

Group	Frame - Plastic parts - Coachwork
Code	02.53
Description	Supply system
Service	1



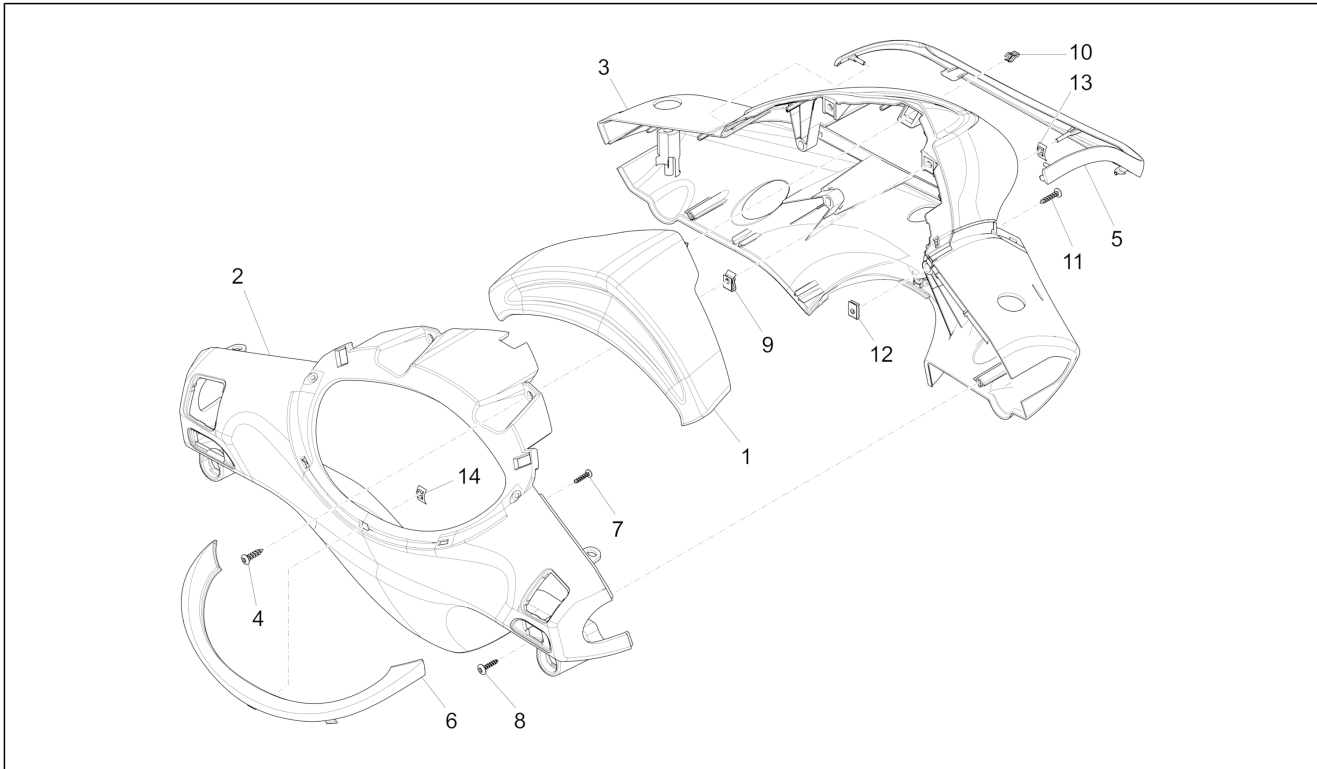
Pos.	Code	Description	Qty	Variants
1		Fuel pump	1	
2		O-ring	1	
3		-	1	
4		Stop nut M5-6H DIN 985	6	
5		Complete fuel pipe	1	

Group	Frame - Plastic parts - Coachwork
Code	02.61
Description	Anti-percolation system
Service	1



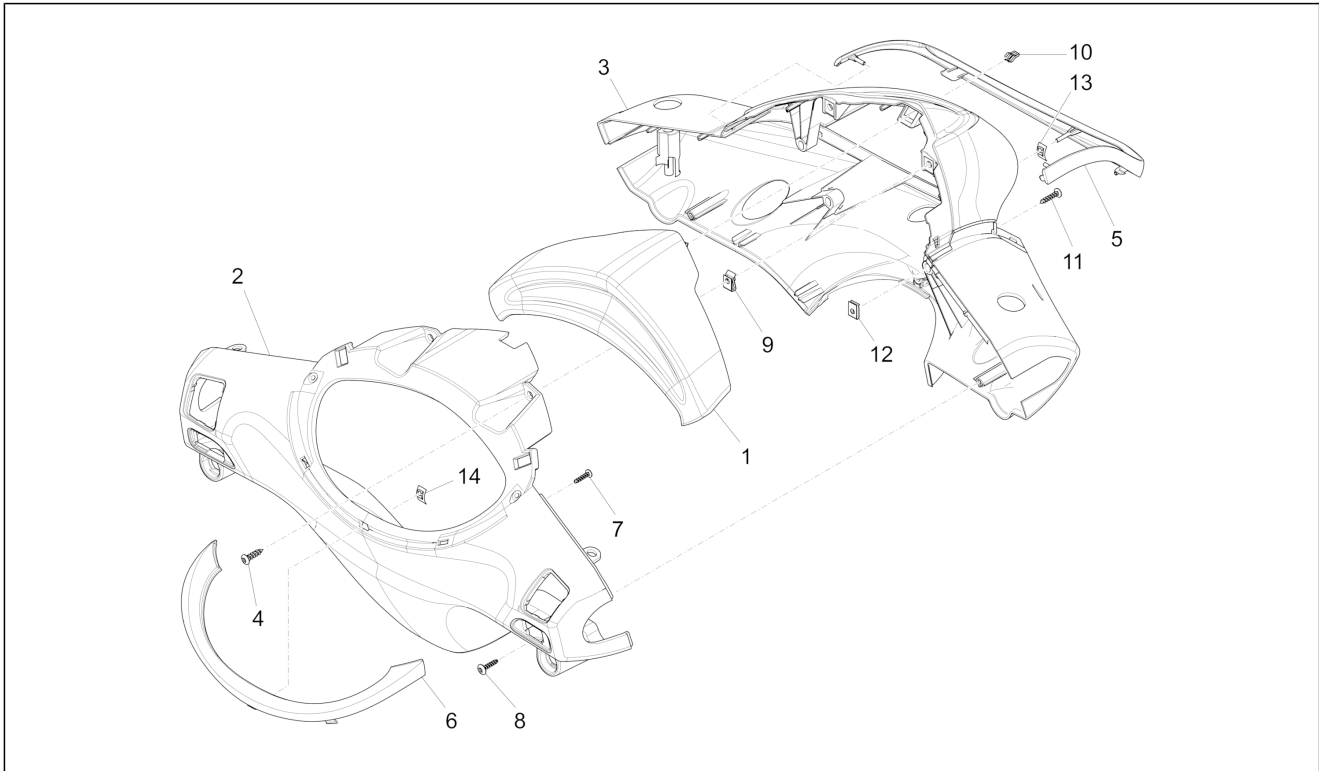
Pos.	Code	Description	Qty	Variants
1		"Roll-over" valve	1	Country:China[CN]
2		Maintenance	1	Country:China[CN]
3		Valve support	1	Country:China[CN]
4		Screw w/ flange M6x16	2	Country:China[CN]
5		Spring washer 6,4x11,8x1	2	Country:China[CN]
6		pipe sae J30 R11-A o R12 1/4"	1	Country:China[CN]
7		Hose clamp	8	Country:China[CN]
8		Lock-strap L=277	7	Country:China[CN]
9		Sae j30 pipe R11-A O R12 1/4" L=920	1	Country:China[CN]
10		Canister complete with adhesive label	1	Country:China[CN]
11		Canister support USA	1	Country:China[CN]
12		Belt	1	Country:China[CN]
13		Screw w/ flange M6x16	2	Country:China[CN]
14		Spring washer 6,4x11,8x1	2	Country:China[CN]
15		Sae j30 pipe R11-A O R12 1/4" L=920	2	Country:China[CN]
16		Nut M6	2	Country:China[CN]
17		Valve	1	Country:China[CN]

Group	Handlebars/Steering
Code	03.01
Description	Handlebars coverages
Service	1



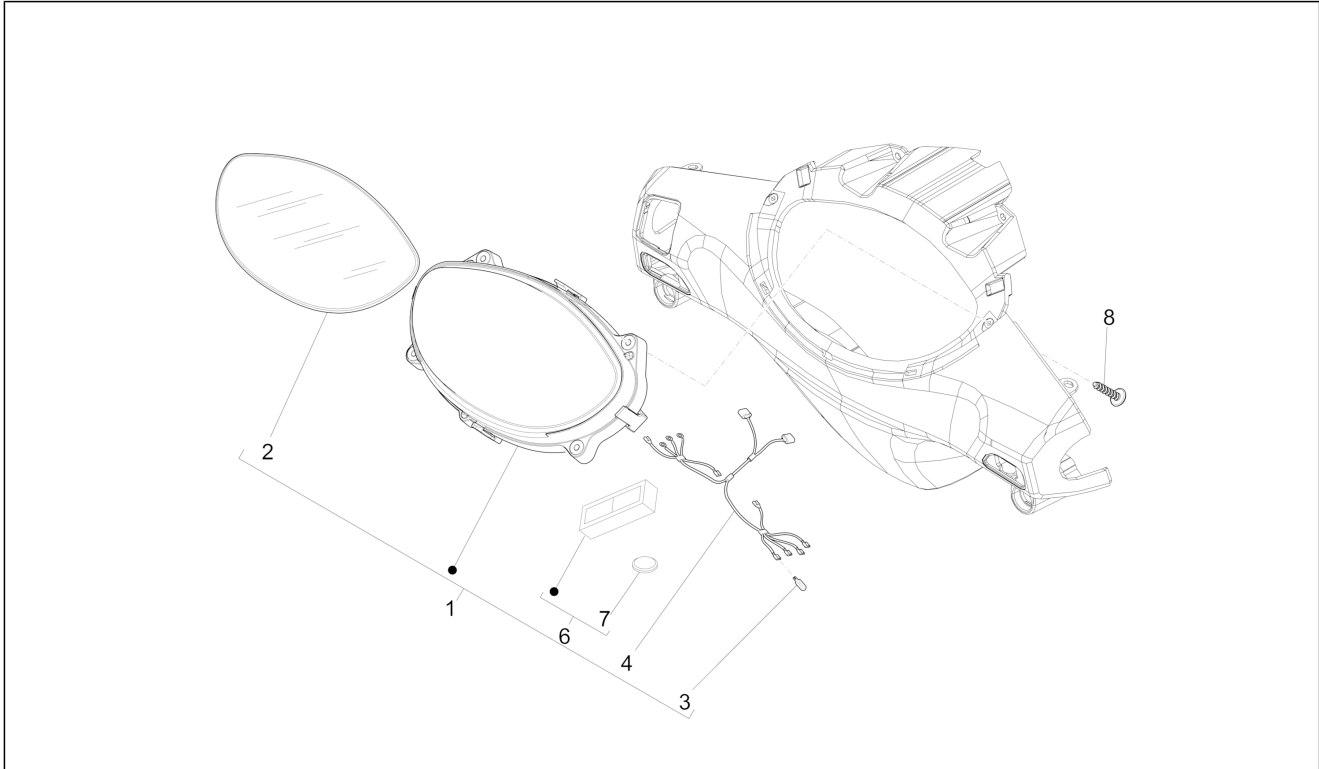
Pos.	Code	Description	Qty	Variants
1		Dashboard lid	1	
2		Handlebar rear cover	1	Colour:Dragon Red 894[894] Country:Australia[AU] Colour:BLACK[79/A] Country:Australia[AU] Colour:Blue[222/A] Country:Australia[AU] Colour:Dragon Red 894[894] Country:China[CN] Colour:BLACK[79/A] Country:China[CN] Colour:Blue[222/A] Country:China[CN] Colour:White[566] Country:China[CN] Colour:White[566] Country:Australia[AU] Country:Australia[AU] Colour:Titanium grey[798/B]
3		Front handlebar cover	1	Country:Australia[AU] Colour:Titanium grey[798/B]
3		Front handlebar cover	1	
3		Front handlebar cover	1	Colour:White[566] Country:Australia[AU] Colour:White[566] Country:China[CN]
3		Front handlebar cover	1	Colour:Blue[222/A] Country:Australia[AU] Colour:Blue[222/A] Country:China[CN]
3		Front handlebar cover	1	Colour:BLACK[79/A] Country:Australia[AU] Colour:BLACK[79/A] Country:China[CN]
3		Front handlebar cover	1	Colour:Dragon Red 894[894]

Group	Handlebars/Steering
Code	03.01
Description	Handlebars coverages
Service	1



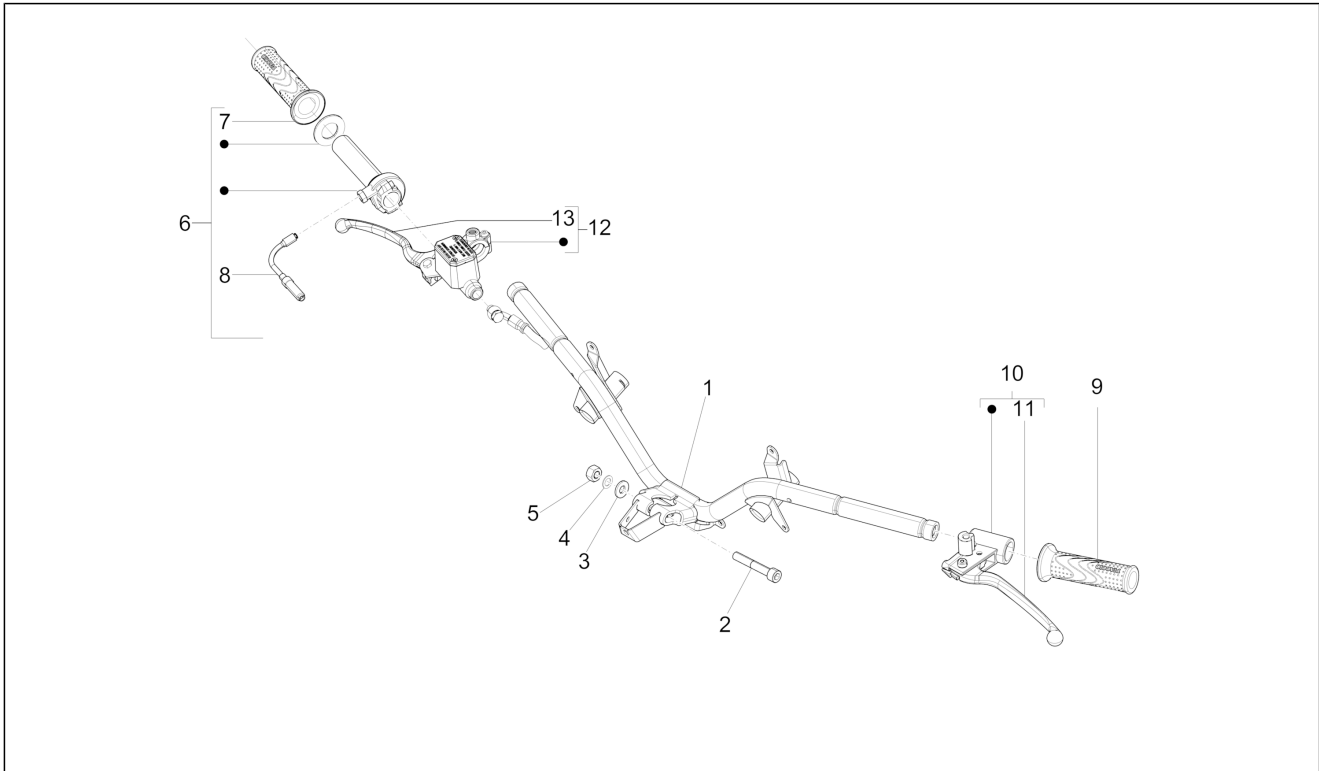
Pos.	Code	Description	Qty	Variants
				Country:Australia[AU] Colour:Dragon Red 894[894] Country:China[CN]
4		Self tapping screw D4.2x16	2	
5		Front handlebar cover frame	1	
6		Rear handlebar cover frame	1	
7		Self tapping screw D4x16	4	
8		Self tapping screw	2	
9		Spring plate	2	
10		Gripper clip	3	
11		Self-tap screw M4,2x19	1	
12		Spring plate	1	
13		Spring plate	4	
14		Spring plate	2	

Group	Handlebars/Steering
Code	03.02
Description	Meter combination - Cruscotto
Service	1



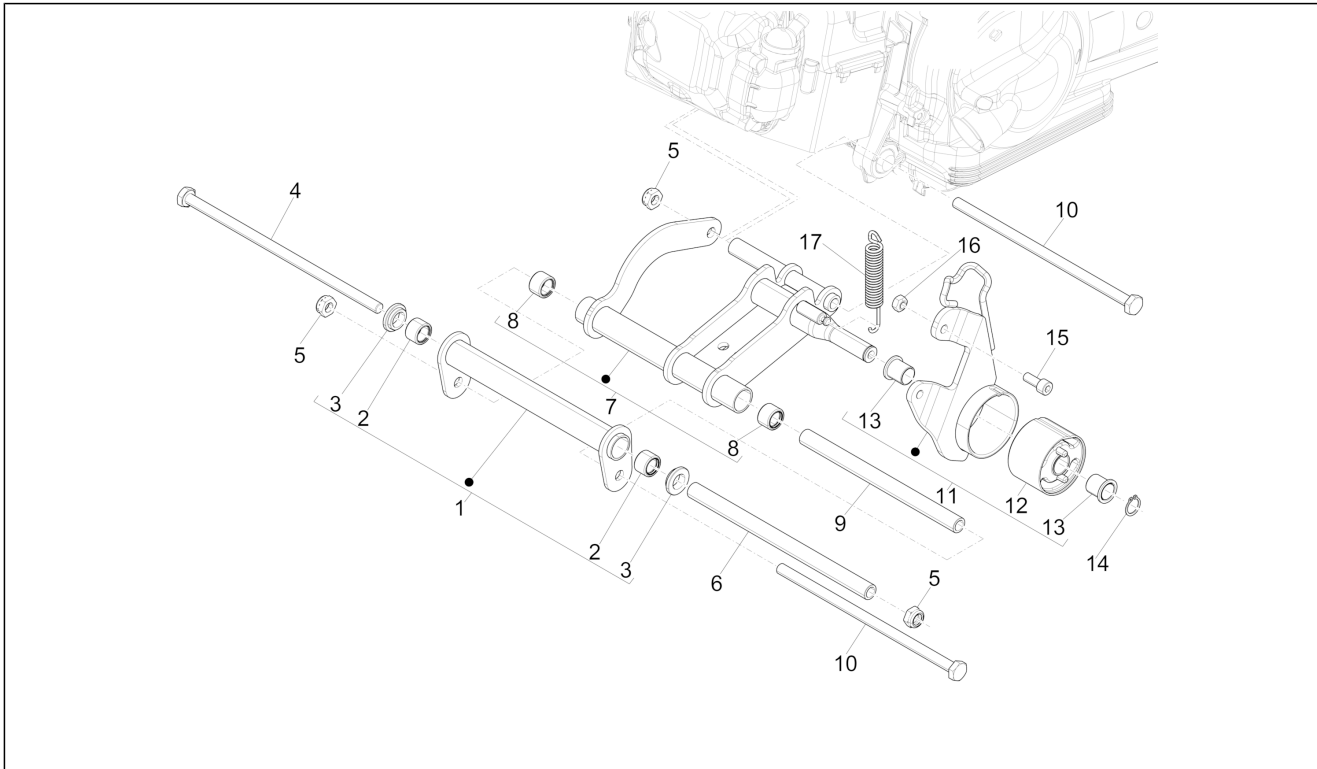
Pos.	Code	Description	Qty	Variants
1		Meter combination	1	Country:China[CN]
1		Meter combination	1	Country:Australia[AU]
2		Instrument panel glass	1	
3		Lamp	8	
4		Wire	1	
6		Clock	1	
7		Battery for clock	1	
8		Self tapping screw	4	

Group	Handlebars/Steering
Code	03.06
Description	Handlebars - Master cil.
Service	1



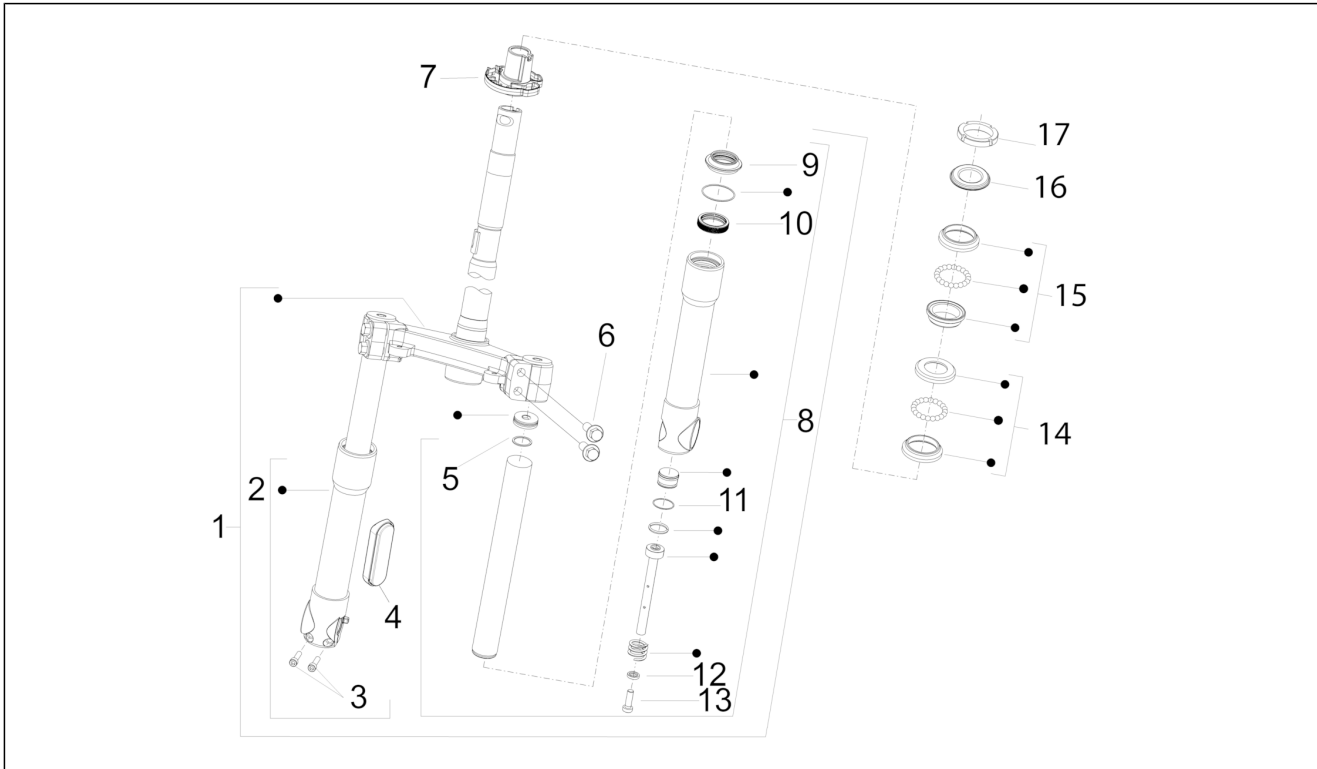
Pos.	Code	Description	Qty	Variants
1		Handlebar	1	
2		Hex socket screw	1	
3		Flat washer	1	
4		Flat elastic washer with internal tothing 17x10,3x2	1	
5		Nut M10	1	
6		Throttle assy	1	Country:Australia[AU]
6		Throttle control sleeve assembly	1	Country:China[CN]
7		Grip, r.h.	1	
8		Throttle opening transmission	1	Country:China[CN]
8		Gas lever transmission	1	Country:Australia[AU]
9		Grip, l.h.	1	
10		Left hand grip with rear brake lever	1	
11		Rear brake control lever	1	
12		Front brake hydraulic pump Heng Tong	1	
13		Brake lever (Heng Tong)	1	

Group	Suspensions - Wheels
Code	04.01
Description	Swinging arm
Service	1



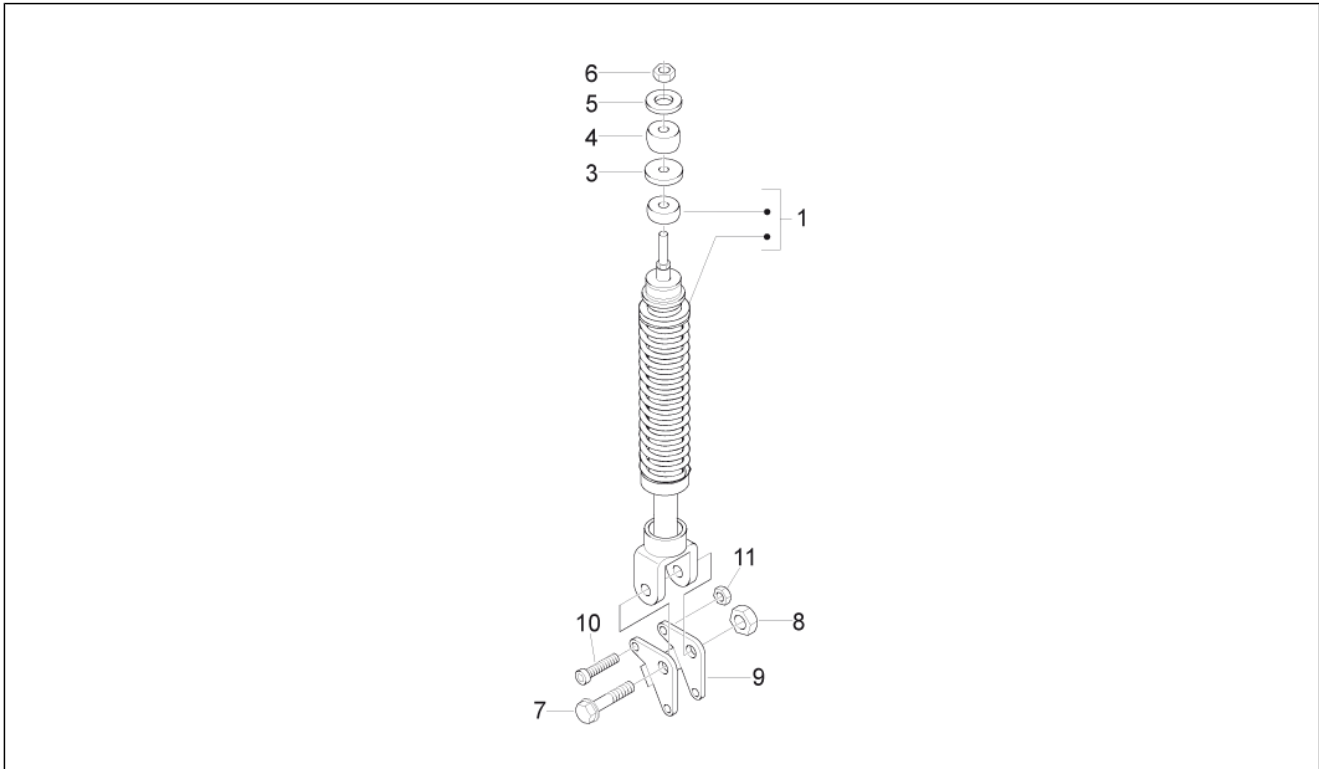
Pos.	Code	Description	Qty	Variants
1		Complete swinging arm on frame side	1	
2		Roller cage	2	
3		Bush	2	
4		Hex screw M10x245	1	
5		Self locking nut M10	3	
6		Spacer L=228 mm	1	
7		Complete swinging arm on engine side	1	
8		Roller cage	2	
9		Swinging arm spacer	1	
10		Hex screw M10x245	2	
11		Complete silent block support bracket	1	
12		Silent-block	1	
13		Bush	2	
14		Circlip	1	
15		screw M8x20	2	
16		Nut	3	
17		Spring	1	

Group	Suspensions - Wheels
Code	04.02
Description	Fork/steering tube - Steering bearing unit
Service	1



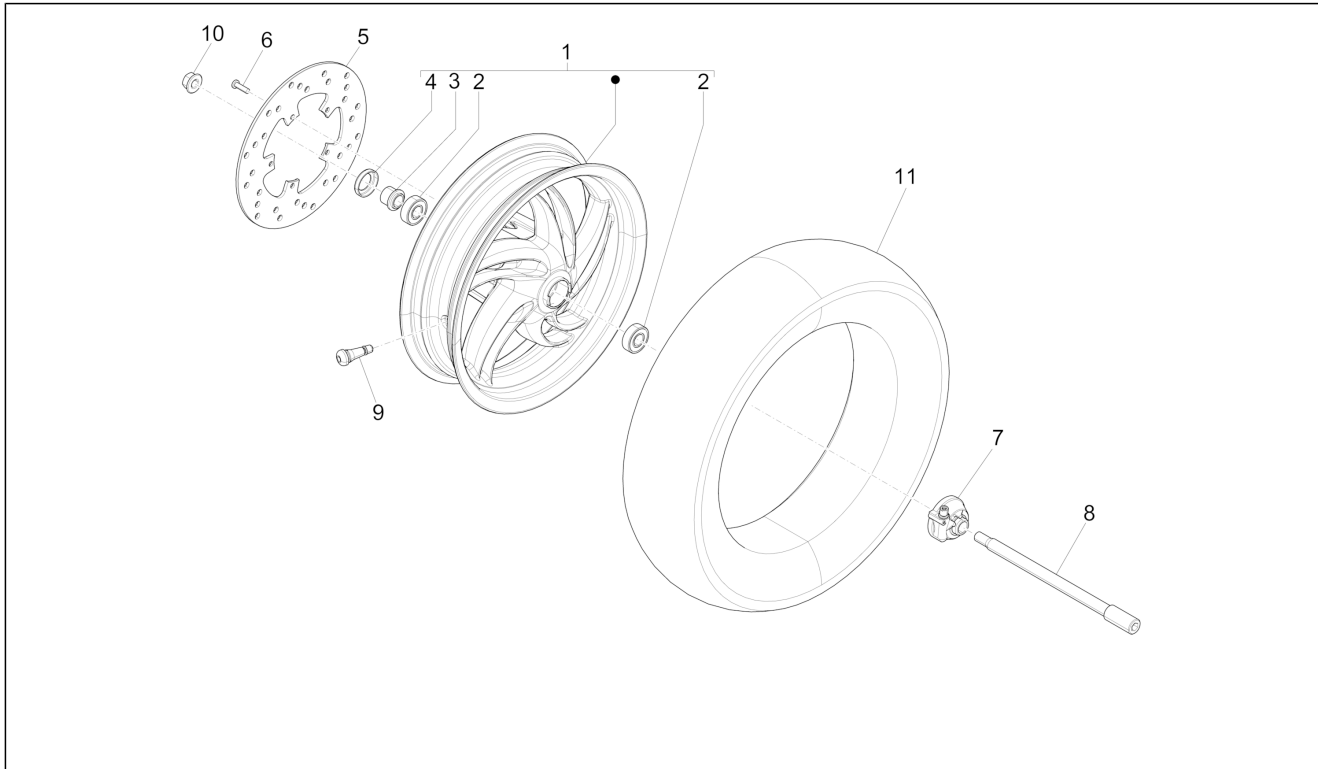
Pos.	Code	Description	Qty	Variants
1		Front fork	1	
2		R.H. sleeve assy	1	
3		screw	2	
4		Lateral reflector	2	
5		O-ring	2	
6		screw	4	
7		Collar	1	
8		L.H. sleeve assy	1	
9		Dust cover	2	
10		Oil seal	2	
11		Ring	2	
12		Washer	2	
13		screw Wuxi top	2	
14		Lower steering bearing	1	
14		Lower steering bearing	1	
15		Upper thrust ring	1	
16		Guard washer	1	
16		Guard washer	1	
17		Steering tube ring nut	1	

Group	Suspensions - Wheels
Code	04.10
Description	Rear suspension - Shock absorber/s
Service	1



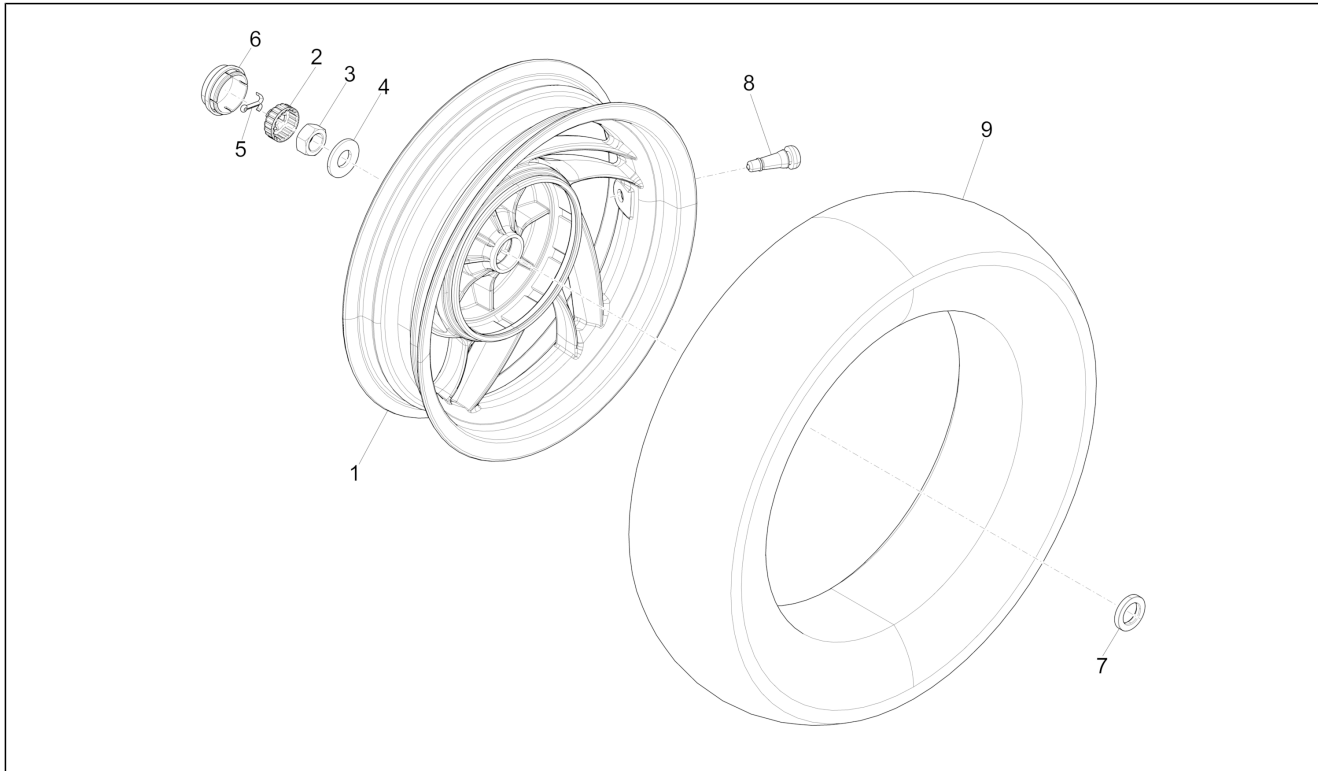
Pos.	Code	Description	Qty	Variants
1		Rear shock absorber	1	
3		Flat washer	1	
4		Upper buffer	1	
5		Spring washer 13,75x8,15x4,5	1	
6		Nut M8	1	
7		screw	1	
8		Self locking nut M10	1	
9		Shock absorber connection bracket	1	
10		Hex socket screw M8x50	2	
11		Nut M8	2	

Group	Suspensions - Wheels
Code	04.11
Description	Front wheel
Service	1



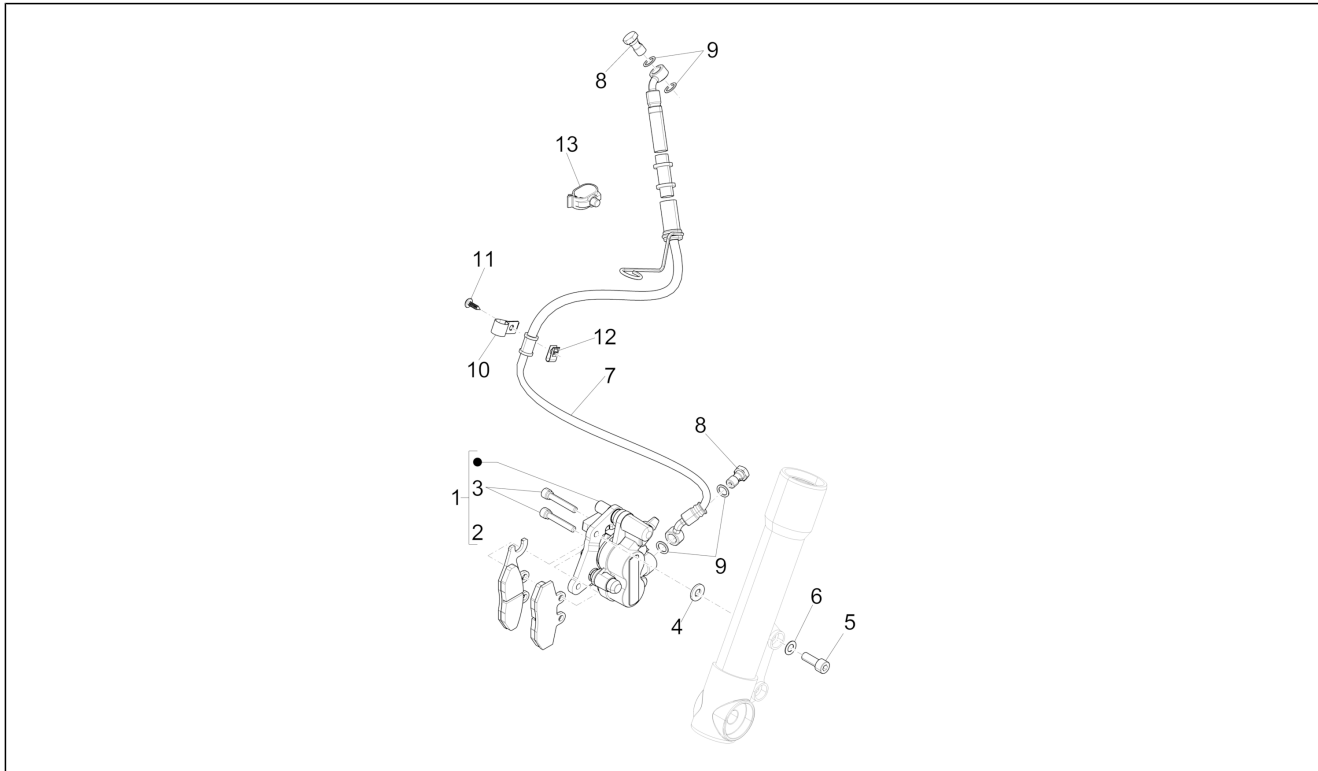
Pos.	Code	Description	Qty	Variants
1		Complete front wheel	1	Country:Australia[AU]
1		Complete front wheel	1	Country:China[CN]
2		Bearing	2	
3		Front wheel spacer	1	
4		Cup	1	
5		Brake disc	1	
6		Screw	5	
7		Spedometer socket	1	
8		Front wheel axle	1	
9		Tubeless tyre valve	1	
10		Nut M12	1	
11		Tyre 120/70-12" Maxxis	1	Country:Australia[AU]
11		Tyre 120/70-12" (Cheng Shin)	1	Country:Australia[AU]
11		Tyre 120/70-12" CÔNG TY TNHH ASEAN TIRE	1	Country:China[CN]

Group	Suspensions - Wheels
Code	04.12
Description	Rear wheel
Service	1



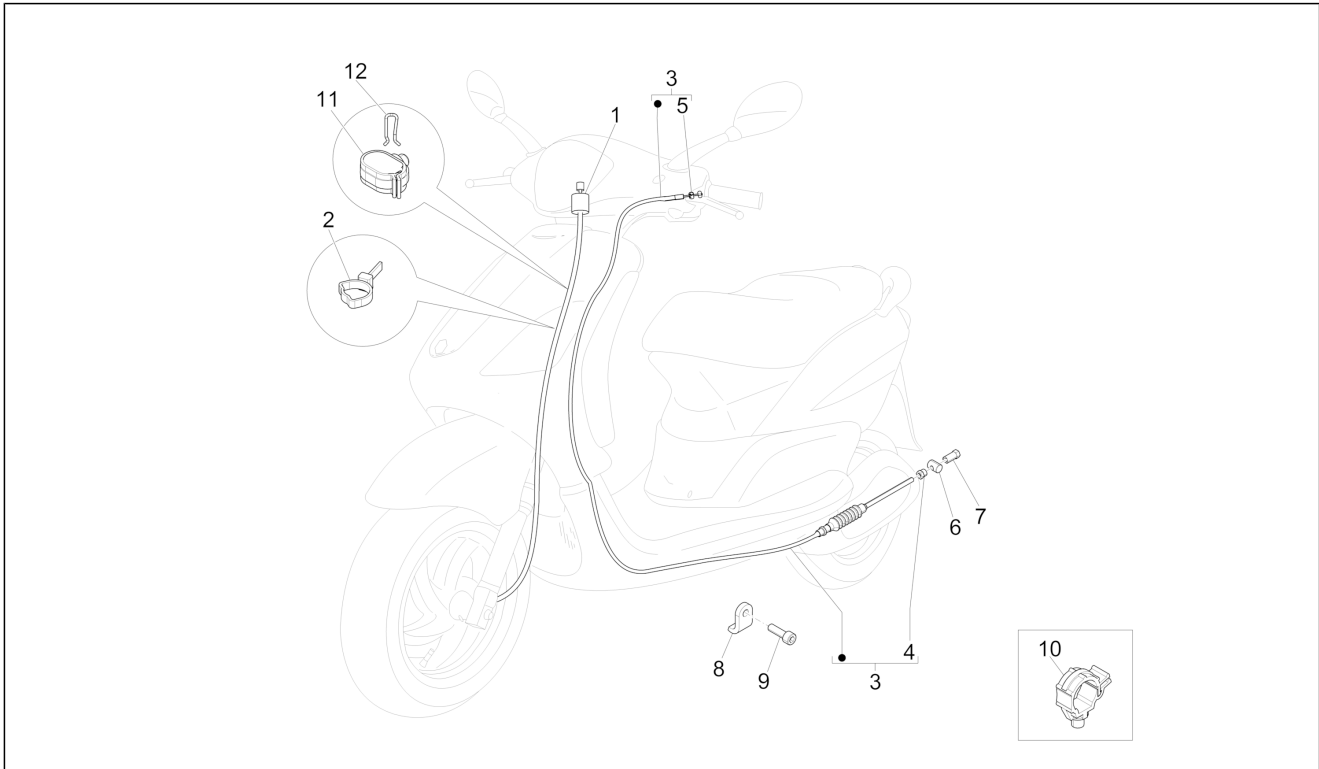
Pos.	Code	Description	Qty	Variants
1		Rear wheel	1	Country:Australia[AU]
1		Rear wheel	1	Country:China[CN]
2		Nut hold cap	1	
3		Nut M16x13	1	
4		Flat washer	1	
5		Split pin	1	
6		Cover	1	
7		Spacer	1	
8		Tubeless tyre valve	1	
9		Tyre 120/70-12" Maxxis	1	Country:Australia[AU]
9		Tyre 120/70-12" CÔNG TY TNHH ASEAN TIRE	1	Country:China[CN]
9		Tyre 120/70-12" (Cheng Shin)	1	Country:Australia[AU]

Group	Braking system - Transmissions
Code	05.01
Description	Brakes pipes - Calipers
Service	1



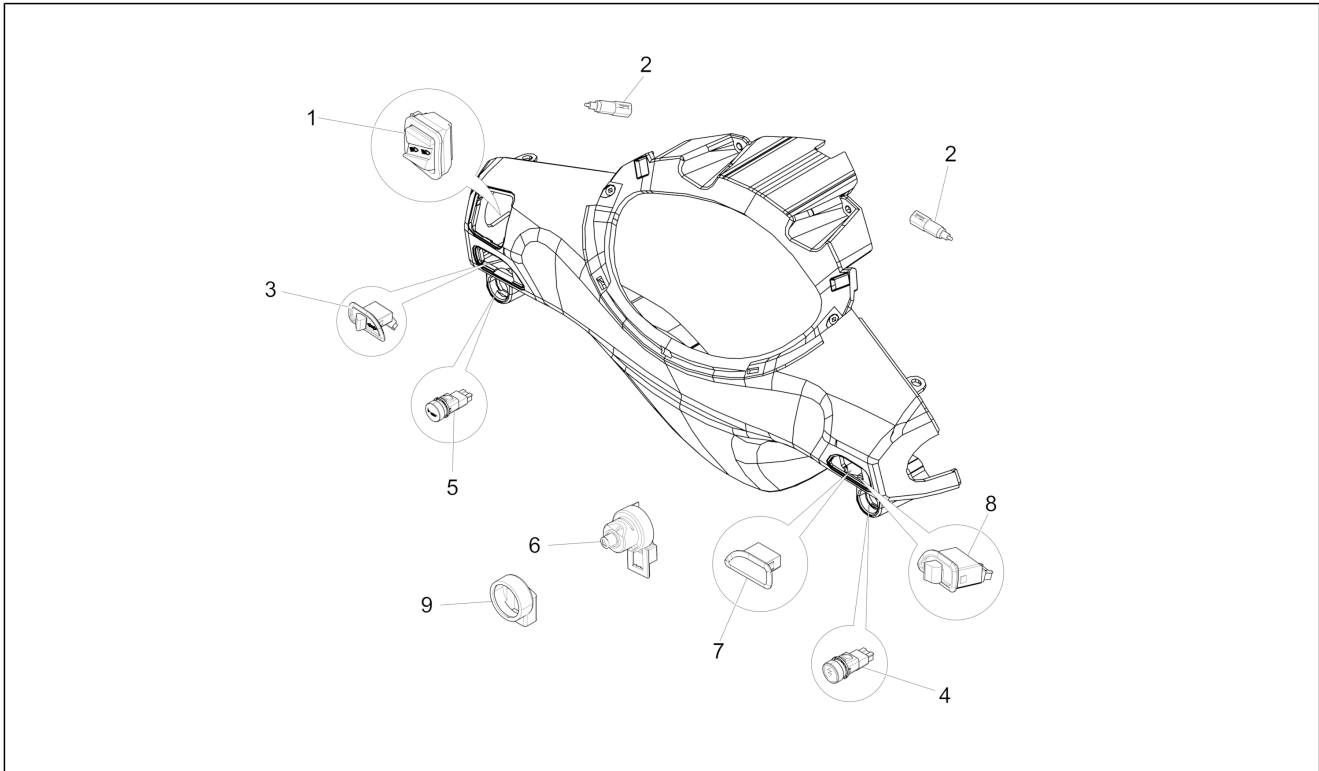
Pos.	Code	Description	Qty	Variants
1		Front brake caliper Heng Tong	1	
2		(Heng Tong) Brake pads couple	1	
3		Brake supp. plate pin	2	
4		Flat washer 8,4x18x2	1	
5		screw	2	
6		Spring washer	2	
7		Piping	1	
8		Hex screw	2	
9		Gasket	4	
10		Hose clamp	1	
11		Self tapping screw D4.2x13	1	
12		Spring plate	1	
13		Non return spring l=27	1	

Group	Braking system - Transmissions
Code	05.03
Description	Transmissions
Service	1



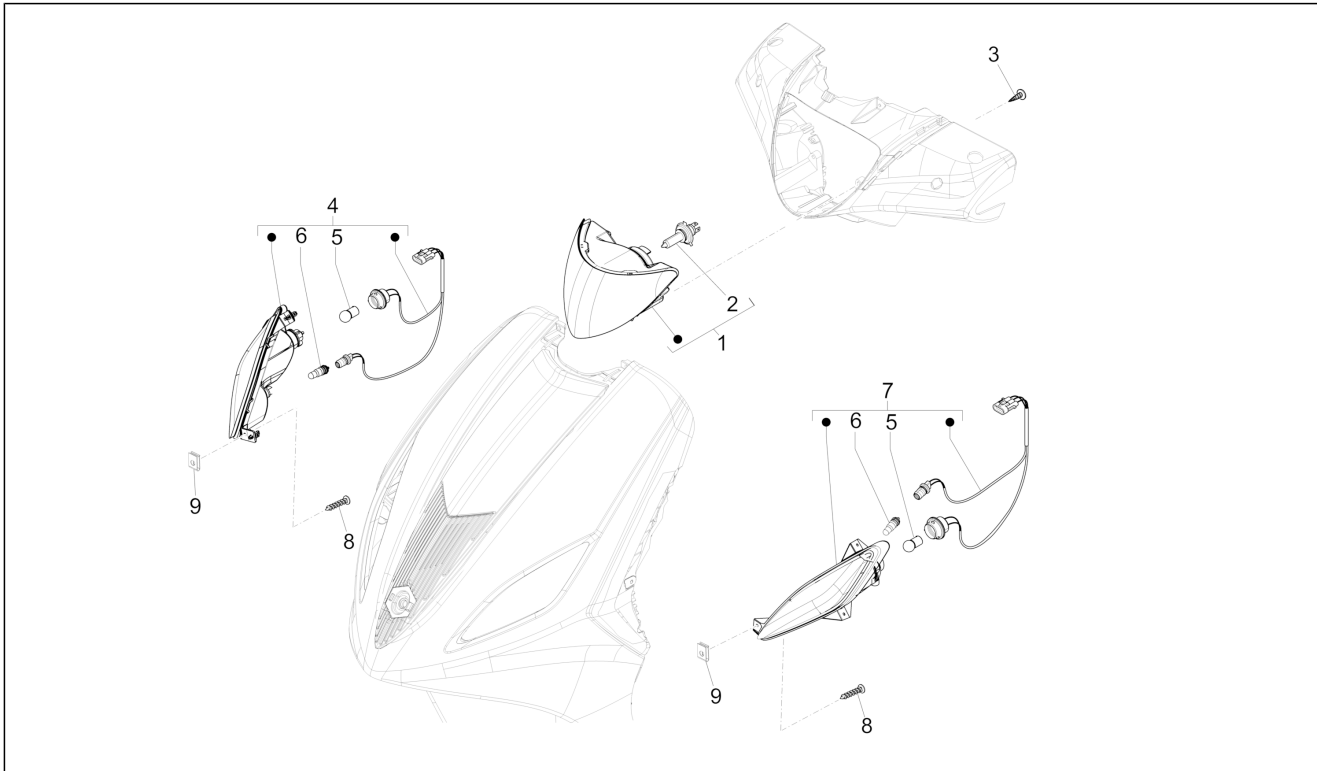
Pos.	Code	Description	Qty	Variants
1		Speedom. transmiss.	1	
2		Hose clamp	5	
3		Rear brake transmission	1	
4		Registro freno posteriore	1	
5		Bush	1	
6		Adjuster pin	1	
7		Registro freno posteriore	1	
8		Plate	1	
9		Hex socket screw M6x20	1	
10		Non return spring L=12	1	
11		Non return spring l=27	1	
12		Elastic spring	1	

Group	Electrical system
Code	06.01
Description	Selectors - Switches - Buttons
Service	1



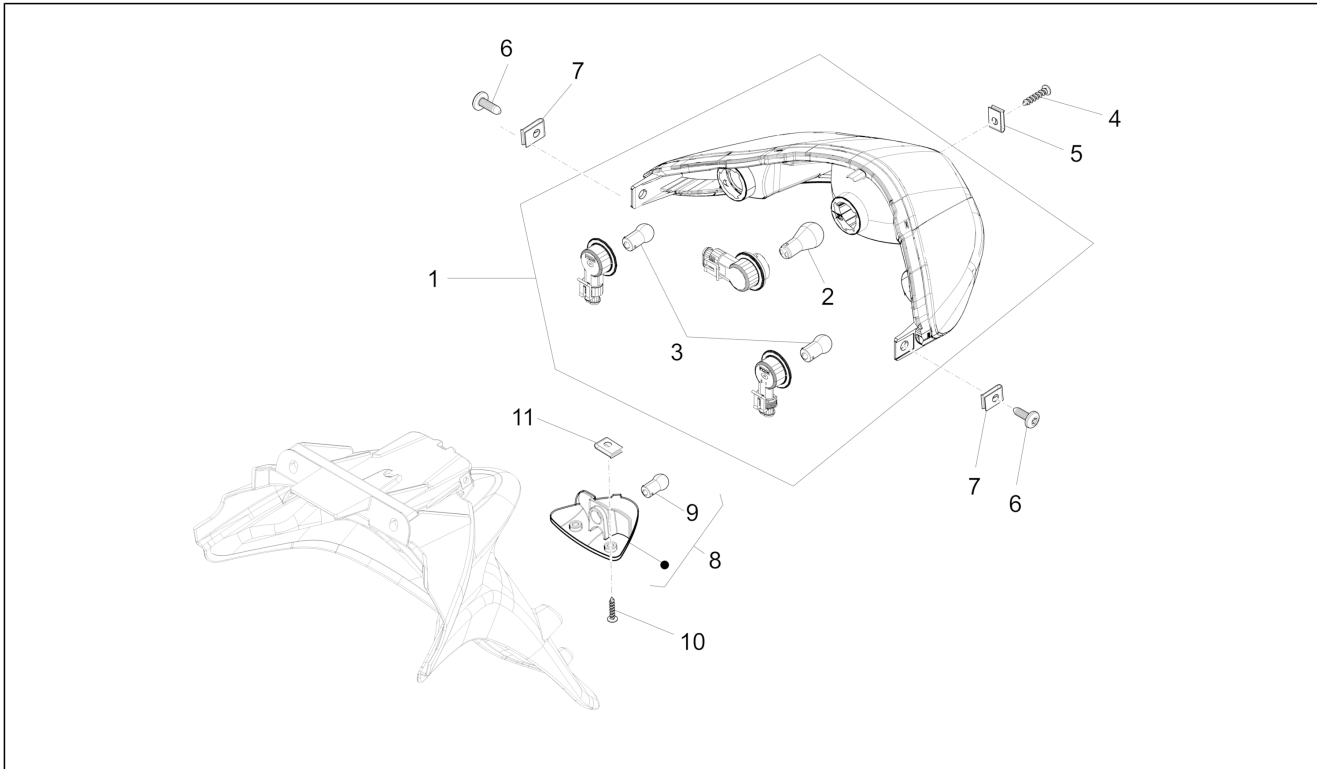
Pos.	Code	Description	Qty	Variants
1		Light switch	1	Country:Australia[AU]
1		Headlight selector	1	Country:China[CN]
2		stop Button	2	
3		Turn signal lamps switch	1	
4		Start pushbutton	1	
5		Horn button	1	
6		Switch	1	
7		Cover	1	
7		Light switch seat cover	1	
8		stop Button	1	
9		Commutator cap	1	

Group	Electrical system
Code	06.03
Description	Front headlamps - Turn signal lamps
Service	1



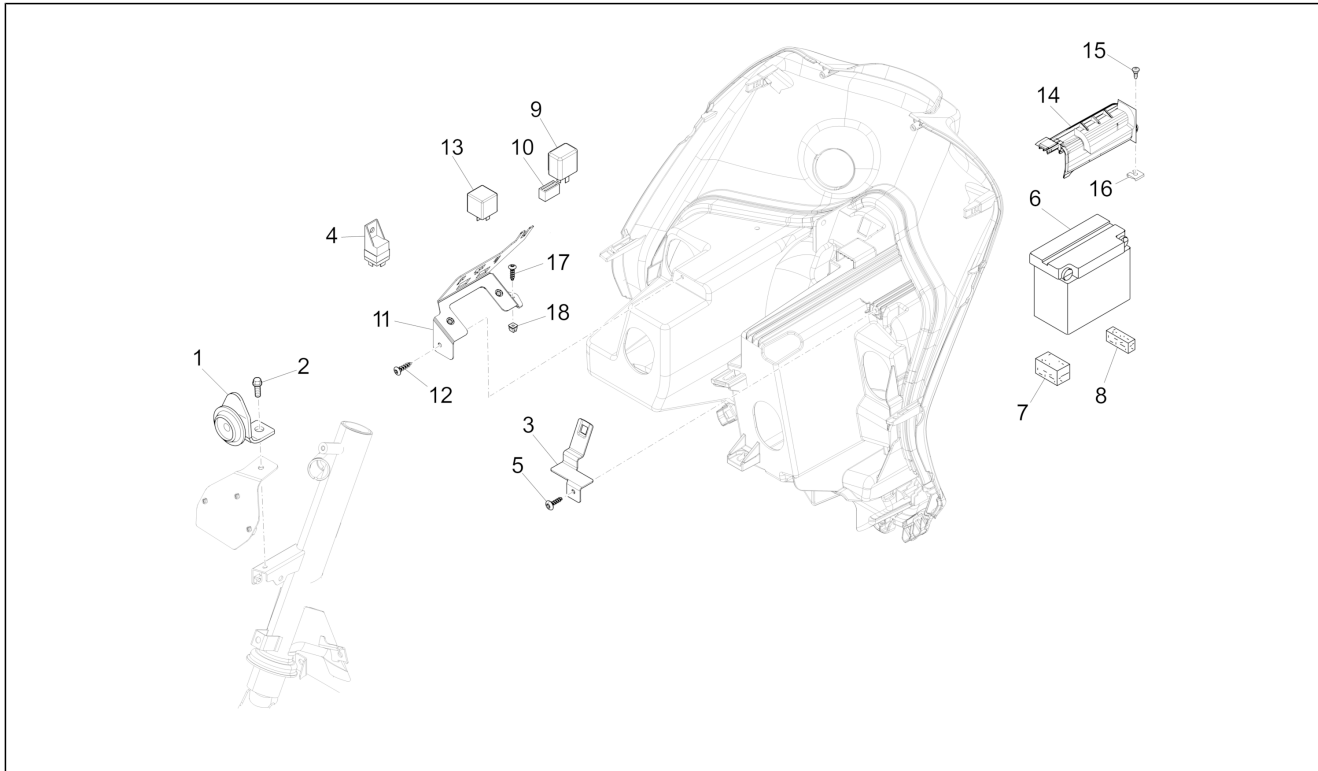
Pos.	Code	Description	Qty	Variants
1		Headlamp, assy	1	
2		Lamp HS1 35+35W 12V	1	
3		Self tapping screw L=35 mm	4	
4		RH front turn indicator	1	
5		Lamp 12V-10W	2	
6		Lamp 12V-5W	2	
7		LH front turn indicator	1	
8		Self tapping screw D4.2x16	6	
9		Spring plate	6	

Group	Electrical system
Code	06.04
Description	Rear headlamps - Turn signal lamps
Service	1



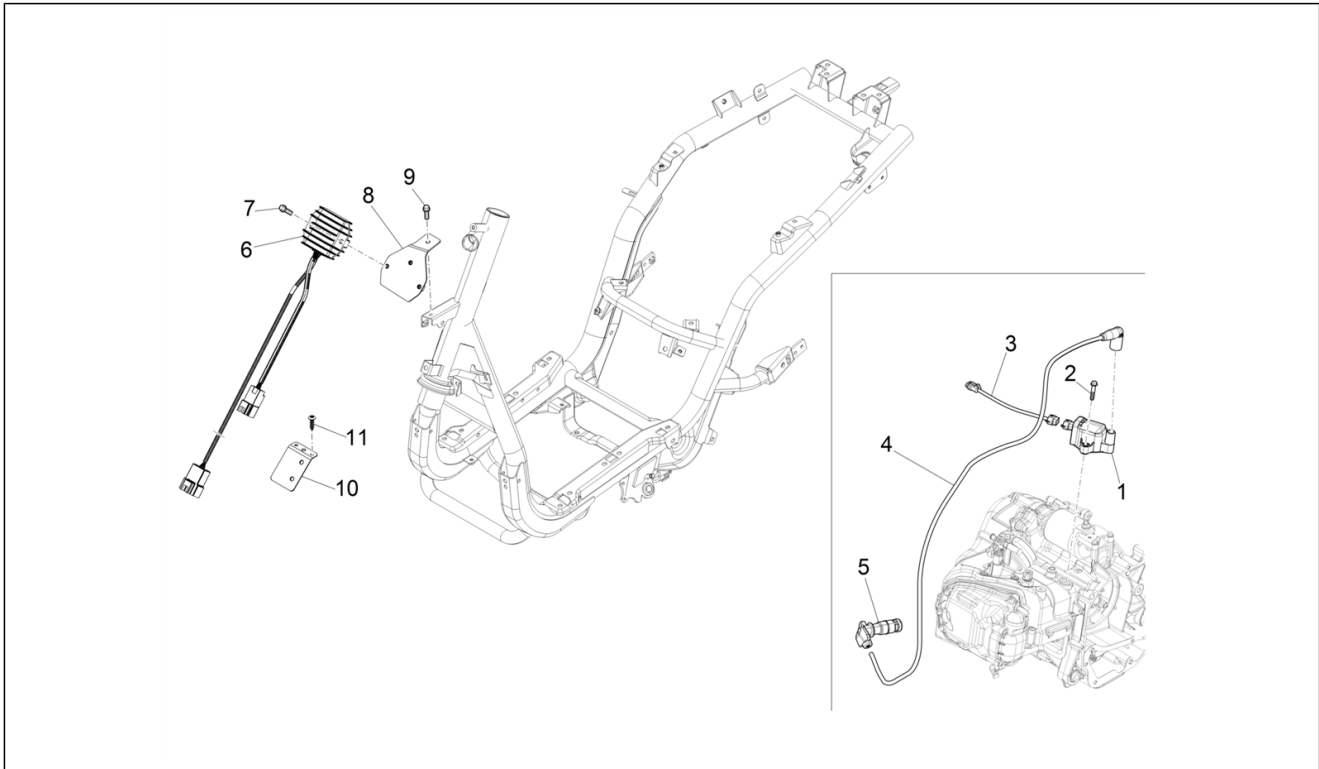
Pos.	Code	Description	Qty	Variants
1		Rear lights	1	
2		Lamp 12V-21/5W	1	
3		Lamp 12V-10W	2	
4		Self tapping screw D4.2x16	2	
5		Spring plate	2	
6		Screw M6x16	2	
7		Spring plate M6	2	
8		Rear licence plate light	1	Colour:Dragon Red 894[894] Country:Australia[AU] Colour:BLACK[79/A] Country:Australia[AU] Colour:Blue[222/A] Country:Australia[AU] Colour:Dragon Red 894[894] Country:China[CN] Colour:BLACK[79/A] Country:China[CN] Colour:Blue[222/A] Country:China[CN] Colour:White[566] Country:China[CN] Colour:White[566] Country:Australia[AU] Country:Australia[AU] Colour:Titanium grey[798/B]
9		Lamp 12V-5W	1	
10		screw 3,5x16	2	
11		Spring plate	2	

Group	Electrical system
Code	06.05
Description	Remote control switches - Battery - Horn
Service	1



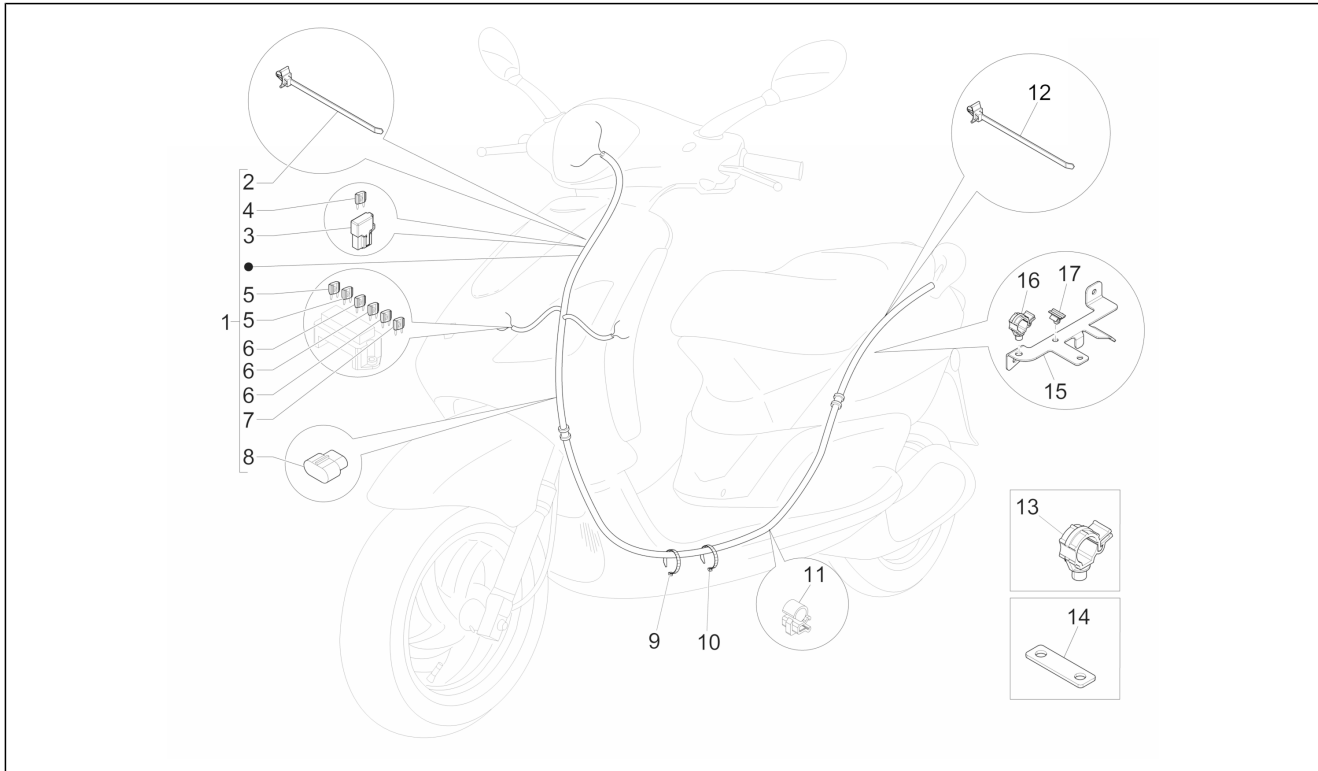
Pos.	Code	Description	Qty	Variants
1		Horn 12v cc	1	
2		Screw w/ flange M6x16	1	
3		Electromagnetic switch support bracket	1	
4		Starter relay 12V-80A	1	
5		Self tapping screw D4x16	1	
6		Battery 12V-6Ah PTX7L BS (Piaggio)	1	
6		Battery Yuasa ID 12V-6Ah	1	
7		Stop buffer	1	
8		Stop buffer	1	
9		Turn indicator control	1	
10		Device bracket	1	
11		Relay support bracket	1	
12		Self tapping screw D4.2x16	1	
13		Relay	1	
14		Battery cover	1	
15		Metric screw M6x22	1	
16		Spring plate M6	1	
17		Self tapping screw D4x16	1	
18		Expansion plug	1	

Group	Electrical system
Code	06.06
Description	Voltage Regulators - Electronic Control Units (ecu) - H.T. Coil
Service	1



Pos.	Code	Description	Qty	Variants
1		HT coil	1	
2		Screw w/ flange M6x30	2	
3		Bridle for HV coil	1	
4		[...]	2	
5		Screened cap	1	
6		Voltage regulator	1	
7		Hex screw M6x20	2	
8		Voltage regulator support bracket	1	
9		Insulating cap	1	
10		Connectors support bracket	1	
11		Self tapping screw D4x16	2	

Group	Electrical system
Code	06.08
Description	Main cable harness
Service	1



Pos.	Code	Description	Qty	Variants
1		Cable harness	1	Country:Australia[AU]
1		Cable harness	1	Country:China[CN]
2		Hose clamp 2,7x132	1	
3		Fuse holder	1	
4		Fuse 30A	1	Country:Australia[AU]
4		Fuse 20A	1	Country:China[CN]
5		Reed fuse 10A	2	
6		Fuse 7,5A	4	
7		Reed fuse 5a	1	
8		Plug connect diagnos ECU	1	
9		Lock-strap L=180mm	9	
10		Lock-strap L=277	3	
11		Pipes/cables retainer spring	3	
12		Hose clamp 2,7x132	2	
13		Non return spring L=12	2	
14		Bracket	1	
15		Cable support bracket	1	
16		Non return spring L=12	1	
17		Spring for connector	1	